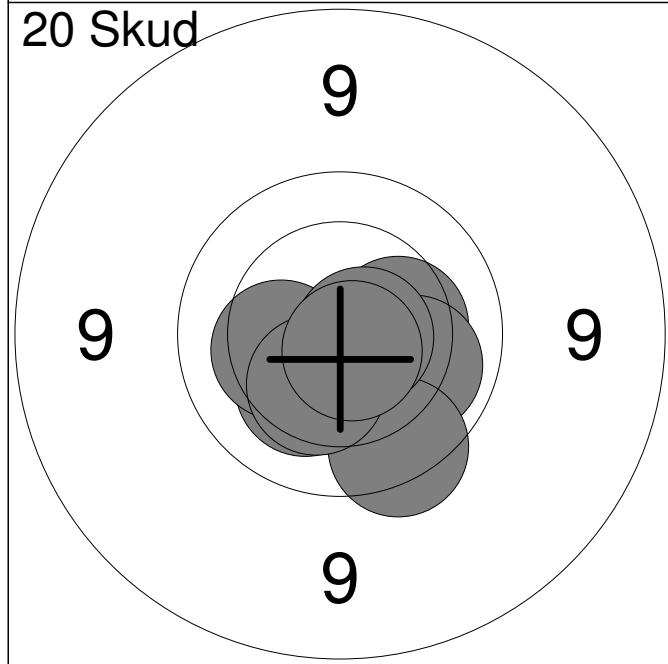
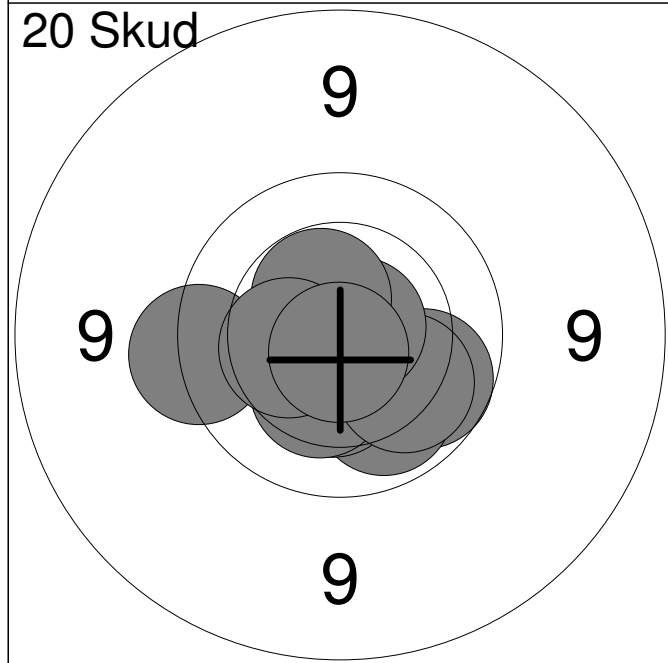


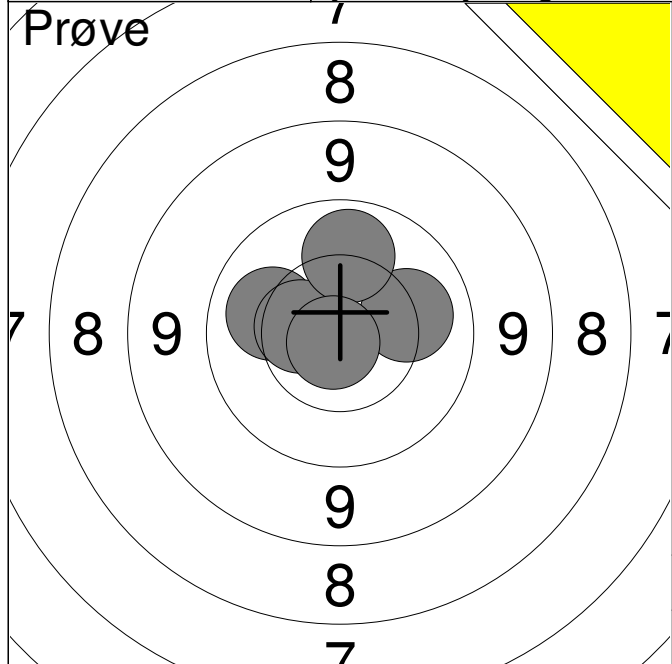
1:	10.4	↙
2:	*10.7	↘
3:	9.7	↙
4:	10.2	↗
5:	*10.7	↘
6:	10.1	↘
7:	10.5	↙
Serie		69.0
Total		0.0



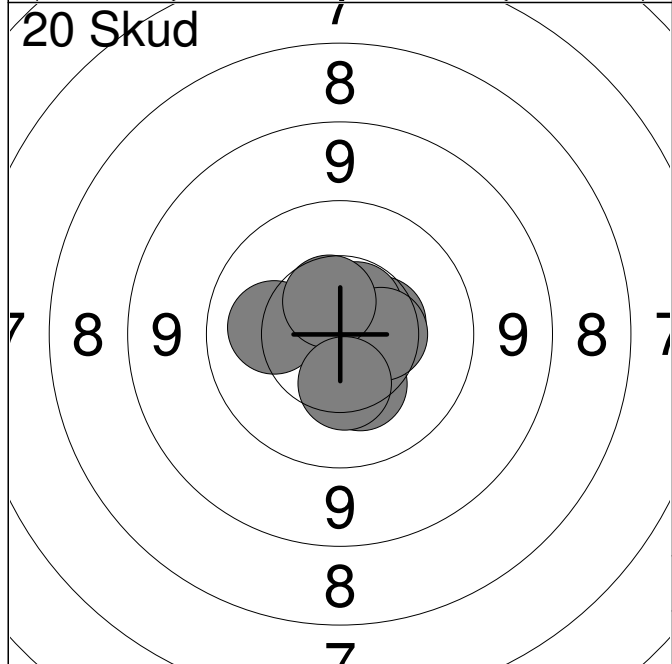
1:	10.2	↘
2:	10.3	↘
3:	10.3	↙
4:	10.3	→
5:	10.1	↘
6:	9.7	↙
7:	10.3	←
8:	*10.7	→
9:	10.3	↙
10:	*10.7	↘
Serie		99.0
Total		99.0



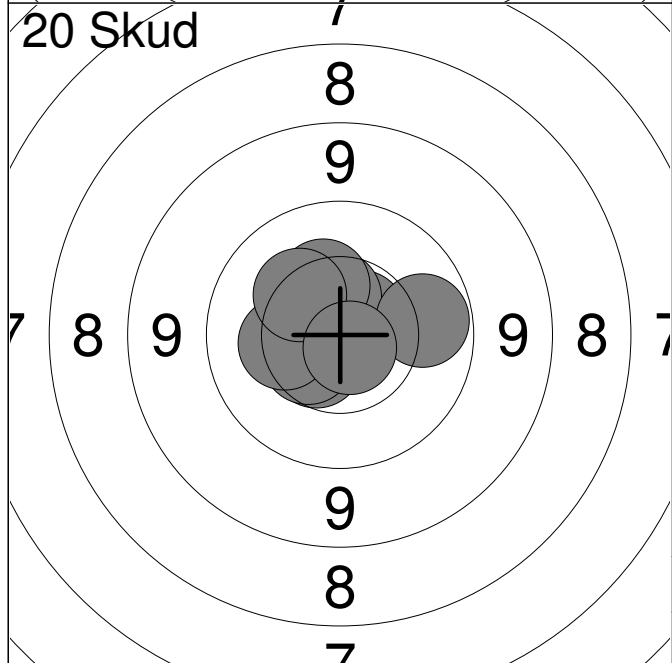
11:	9.9	↘
12:	10.1	↘
13:	10.4	↘
14:	10.3	↙
15:	10.1	↘
16:	*10.8	↗
17:	*10.5	↗
18:	9.6	←
19:	10.4	←
20:	*10.8	↓
Serie		98.0
Total		197.0



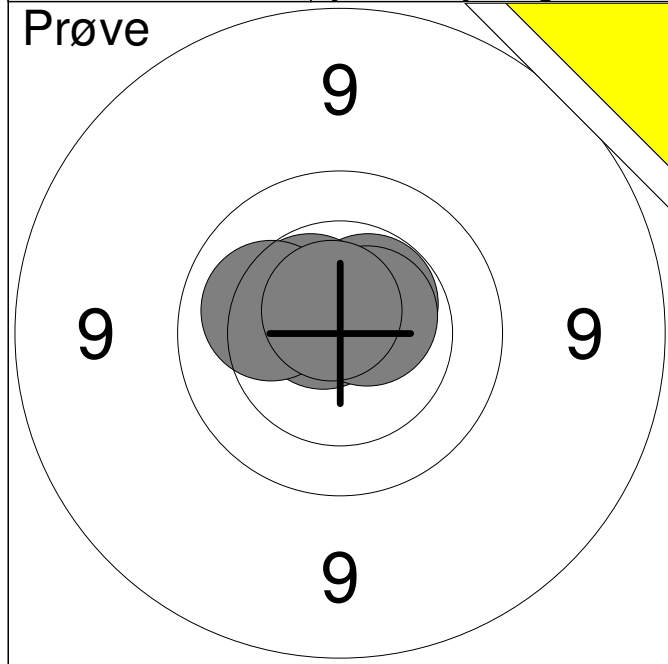
1:	10.1	←
2:	10.5	←
3:	10.2	→
4:	10.1	↑
5:	*10.8	↙
Serie		50.0
Total		0.0



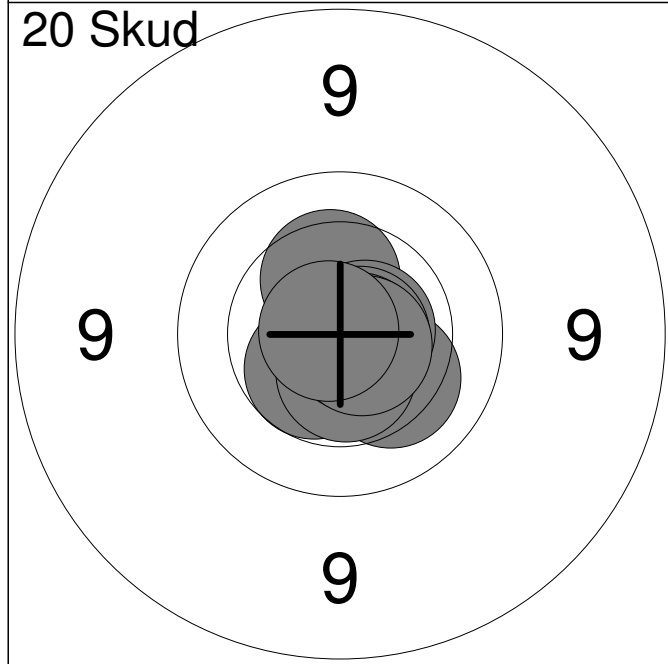
1:	*10.8	↖
2:	10.6	→
3:	*10.7	↗
4:	10.5	→
5:	10.3	↘
6:	*10.6	↗
7:	10.5	→
8:	10.2	←
9:	10.6	↑
10:	10.4	↘
Serie		100.0
Total		100.0



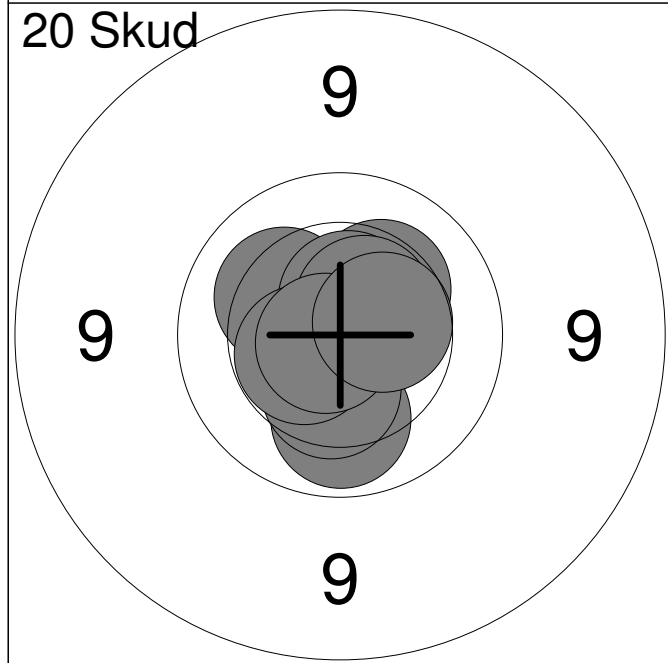
11:	10.5	↙
12:	10.5	↙
13:	*10.6	↗
14:	10.5	↙
15:	10.5	↑
16:	10.3	↑
17:	10.0	→
18:	10.3	←
19:	10.3	↗
20:	*10.8	↘
Serie		100.0
Total		200.0



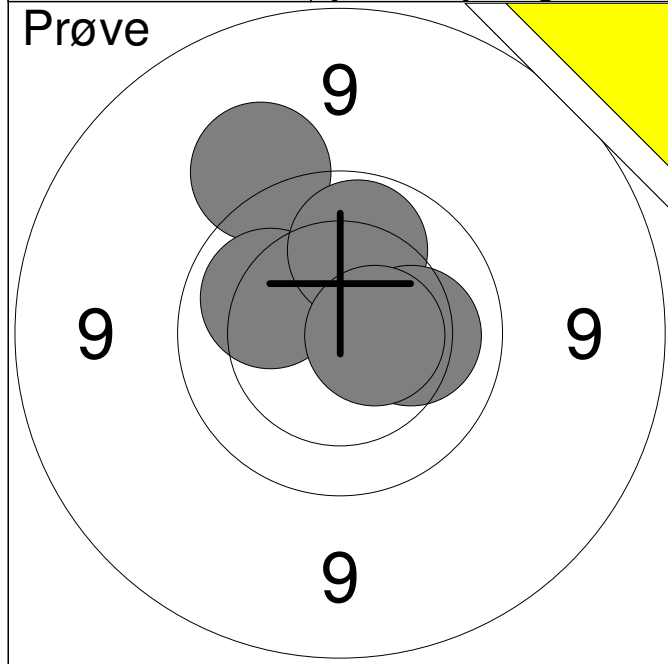
1:	*10.7	↗
2:	*10.5	↗
3:	*10.5	↗
4:	10.2	↖
5:	*10.6	↗
6:	*10.7	↗
Serie		60.0
Total		0.0



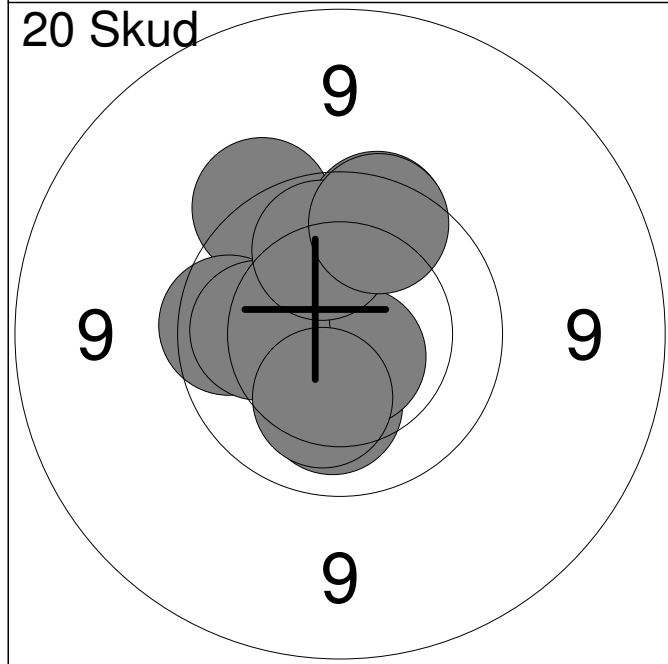
1:	10.4	↑
2:	10.2	↓
3:	10.5	↙
4:	*10.8	→
5:	*10.7	→
6:	*10.5	↓
7:	*10.7	→
8:	*10.8	↘
9:	*10.7	↘
10:	*10.8	↖
Serie		100.0
Total		100.0



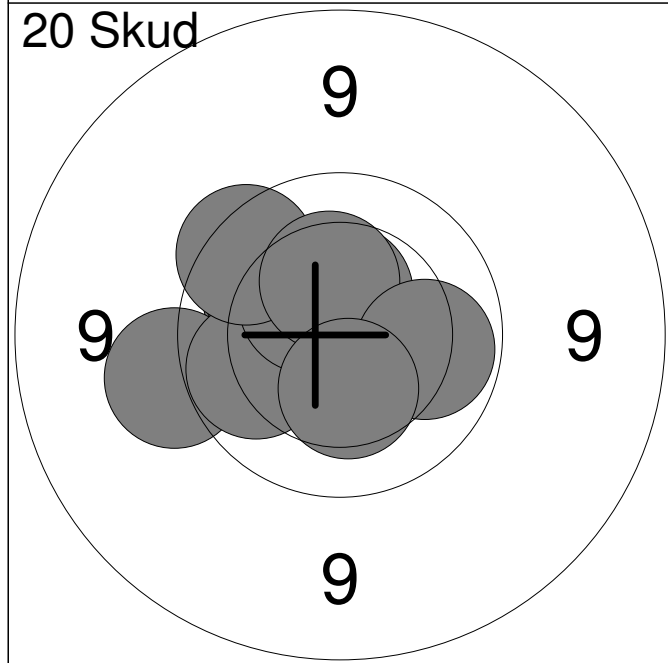
11:	10.1	↓
12:	10.2	↗
13:	10.3	↗
14:	10.4	↓
15:	*10.7	↗
16:	*10.6	↑
17:	*10.5	↖
18:	*10.5	↗
19:	*10.8	↖
20:	10.5	→
Serie		100.0
Total		200.0



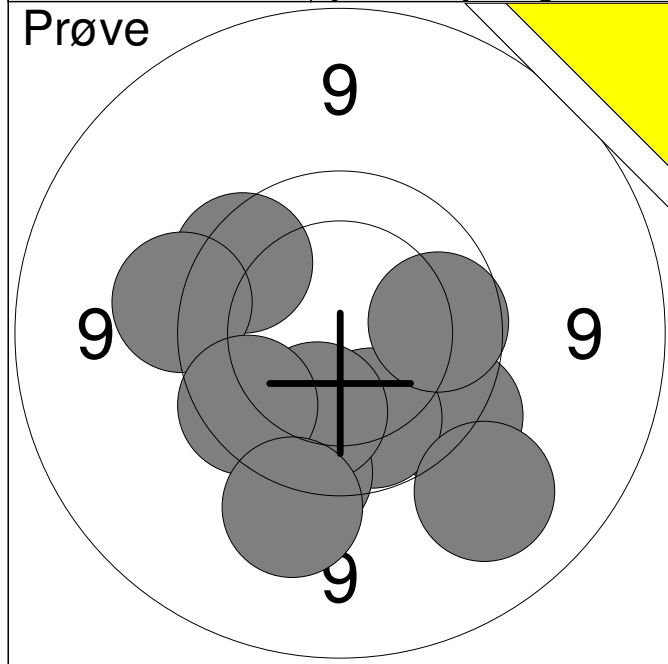
	1:	9.4	↖
	2:	10.1	↖
	3:	10.0	↑
	4:	10.2	→
	5:	*10.6	→
Serie			49.0
Total			0.0



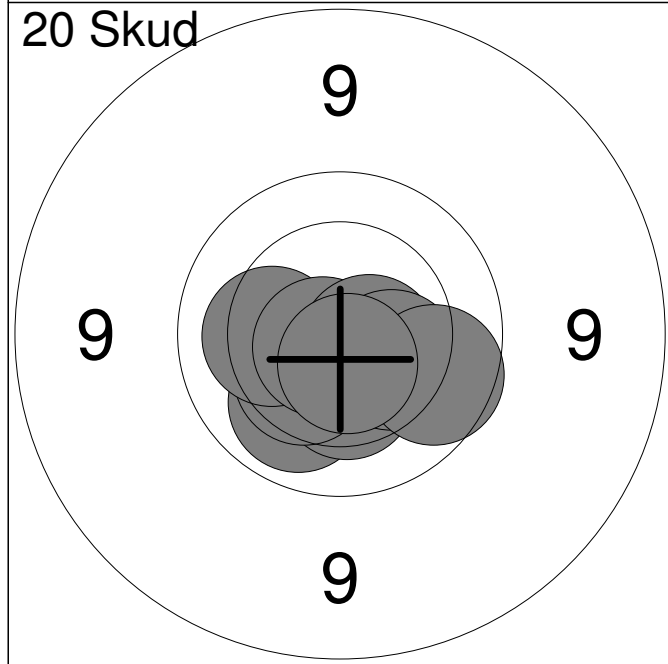
	1:	10.2	↓
	2:	10.2	↖
	3:	9.6	↖
	4:	*10.7	↓
	5:	9.8	←
	6:	10.1	←
	7:	10.2	↓
	8:	9.8	↑
	9:	10.0	↑
	10:	9.8	↑
Serie			96.0
Total			96.0



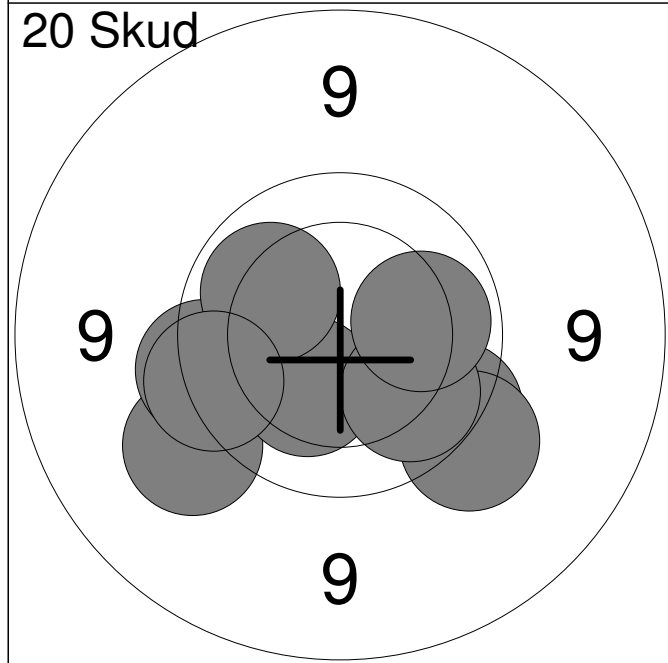
	11:	10.1	↖
	12:	9.5	←
	13:	10.0	↖
	14:	*10.5	↑
	15:	10.0	↖
	16:	10.5	↖
	17:	9.8	↖
	18:	10.4	↑
	19:	10.0	→
	20:	10.4	↓
Serie			98.0
Total			194.0



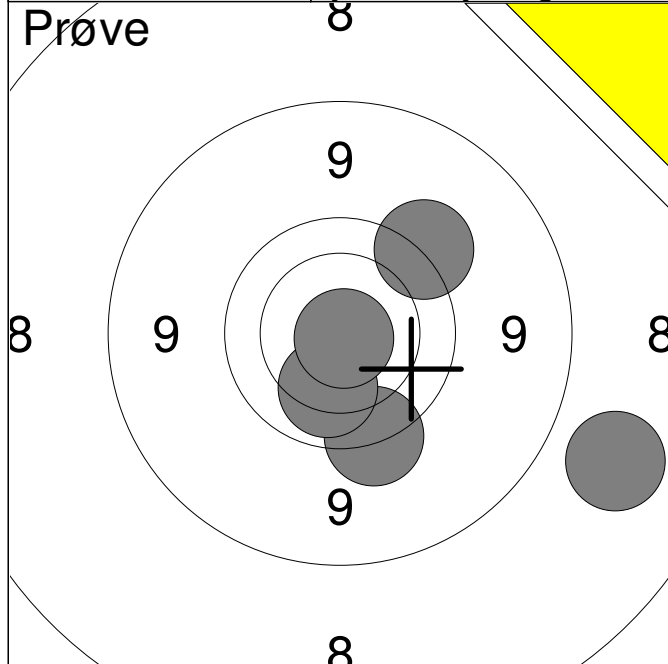
1:	9.7	↘
2:	9.8	↗
3:	10.0	↘
4:	9.5	←
5:	9.2	↘
6:	9.6	↘
7:	10.1	↘
8:	9.8	↖
9:	9.4	↘
10:	9.9	→
Serie		92.0
Total		0.0



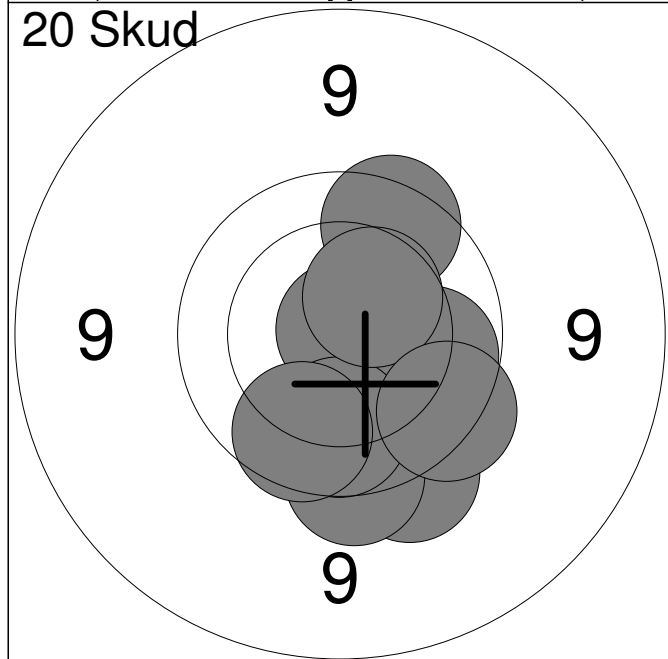
1:	10.1	↖
2:	*10.6	↘
3:	10.4	↘
4:	10.4	↖
5:	10.2	←
6:	*10.7	↖
7:	*10.6	→
8:	10.3	→
9:	9.9	→
10:	*10.6	↘
Serie		99.0
Total		99.0



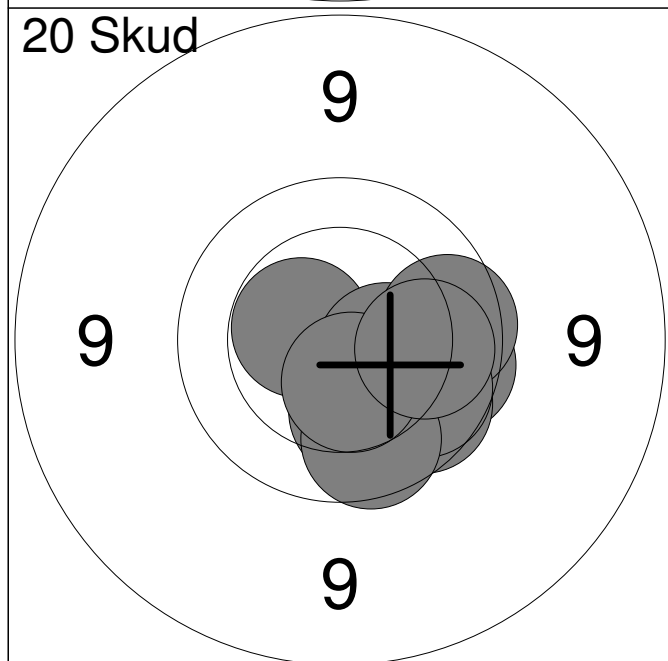
11:	10.2	↖
12:	9.4	↖
13:	9.7	↘
14:	9.5	↘
15:	9.7	←
16:	10.3	↖
17:	10.0	↘
18:	10.1	↗
19:	10.1	→
20:	9.7	←
Serie		95.0
Total		194.0



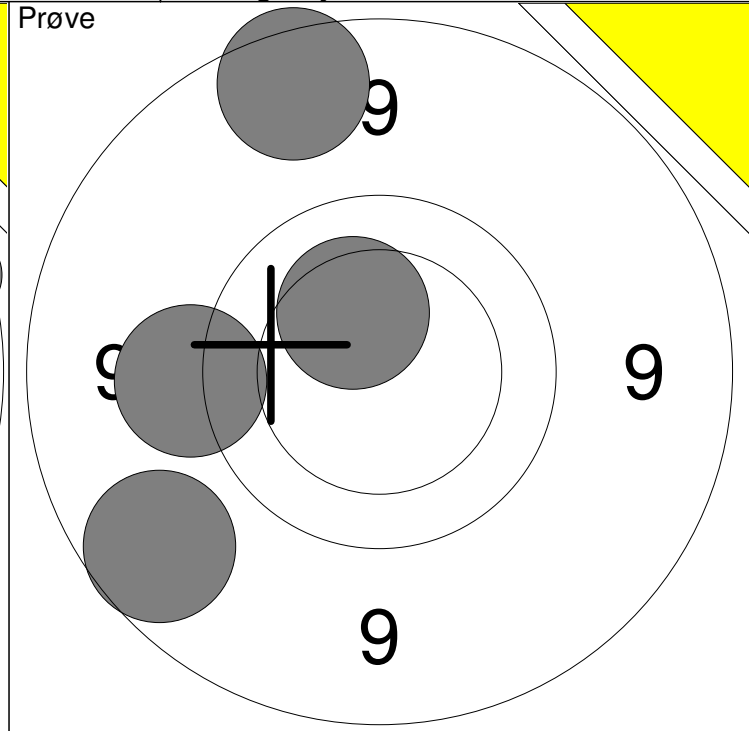
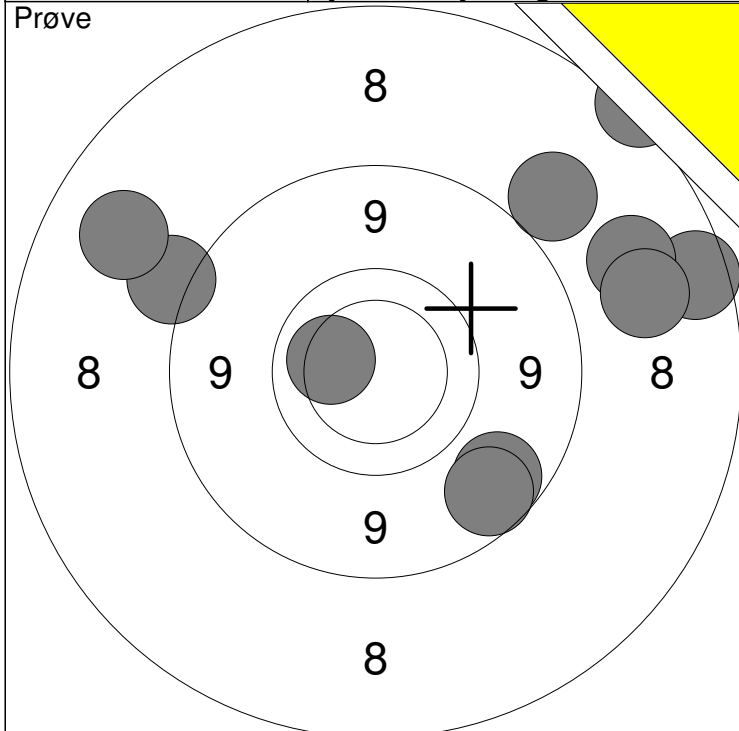
1:	9.5	↗
2:	8.3	→
3:	9.6	↓
4:	10.1	↓
5:	*10.9	↓
Serie		46.0
Total		0.0



1:	10.0	→
2:	9.9	↓
3:	9.6	↓
4:	9.6	↓
5:	9.8	↗
6:	*10.9	↗
7:	9.9	↓
8:	10.4	↗
9:	9.7	↓
10:	9.9	↓
Serie		93.0
Total		93.0

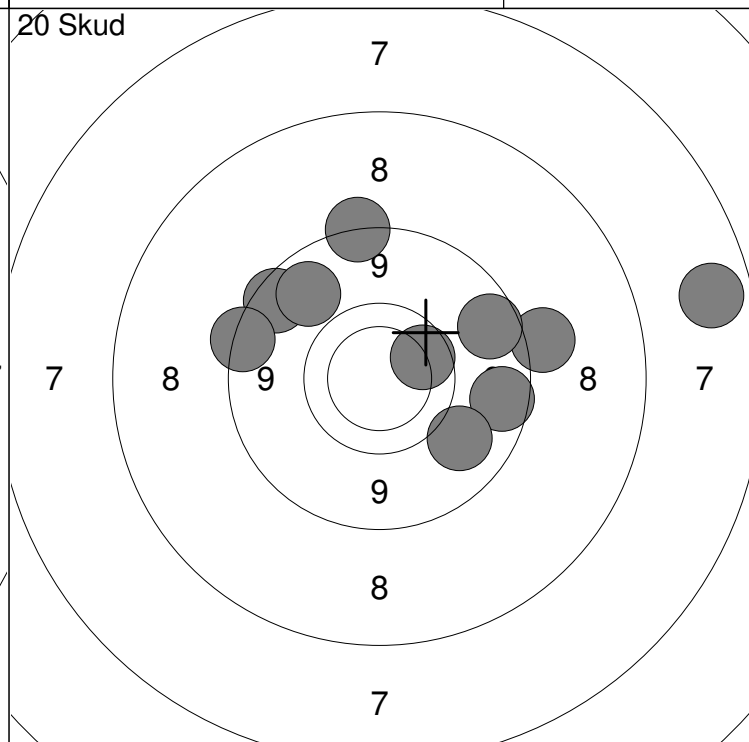
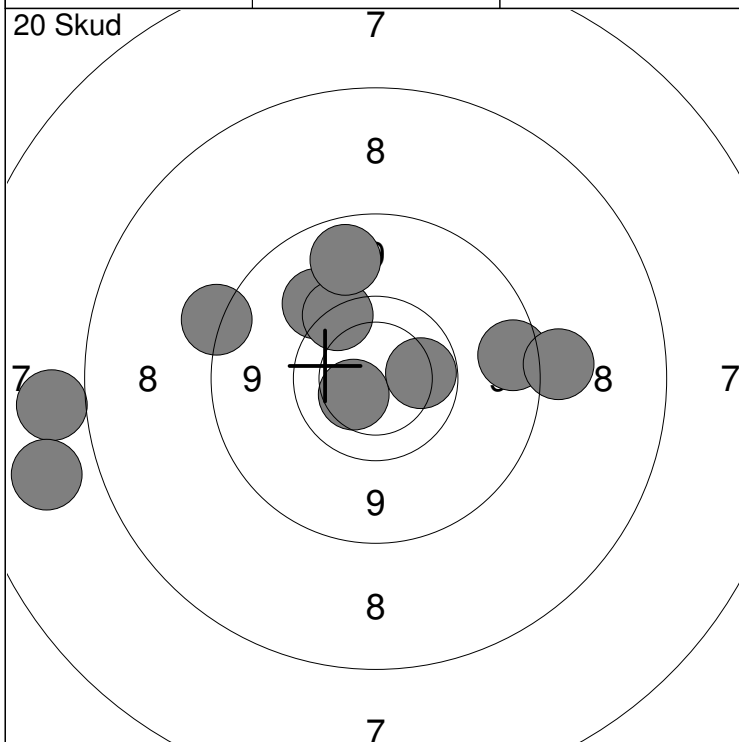


11:	*10.5	←
12:	9.9	→
13:	10.4	→
14:	9.9	↓
15:	9.9	→
16:	9.9	↓
17:	10.2	↓
18:	9.9	↓
19:	10.5	↓
20:	10.0	→
Serie		95.0
Total		188.0



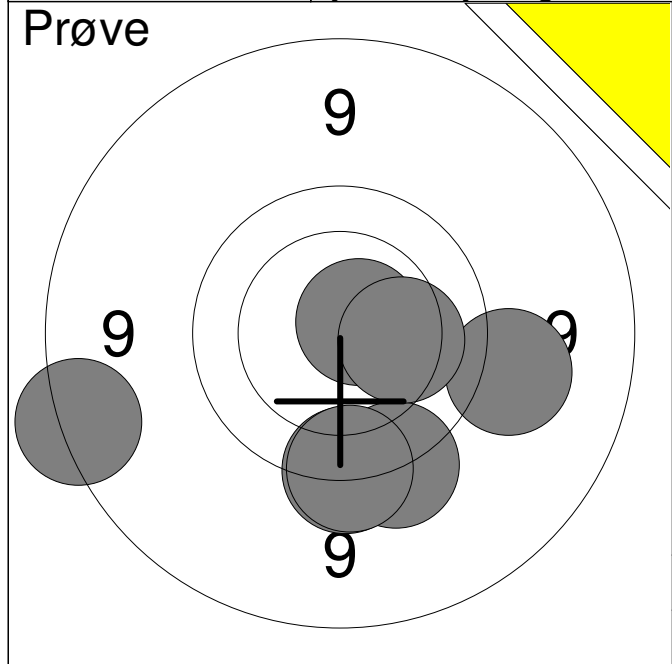
1: 7.9 →	6: 8.2 →	Serie	81.0
2: 8.2 →	7: 8.4 ↗		
3: 9.0 ↘	8: 8.6 ←	Total	0.0
4: 8.9 ↘	9: 8.2 ←		
5: 7.6 ↗	10: 10.2 ←		

11: 8.9 ↙	Serie	35.0
12: 10.3 ↗		
13: 8.9 ↗	Total	0.0
14: 9.4 ←		

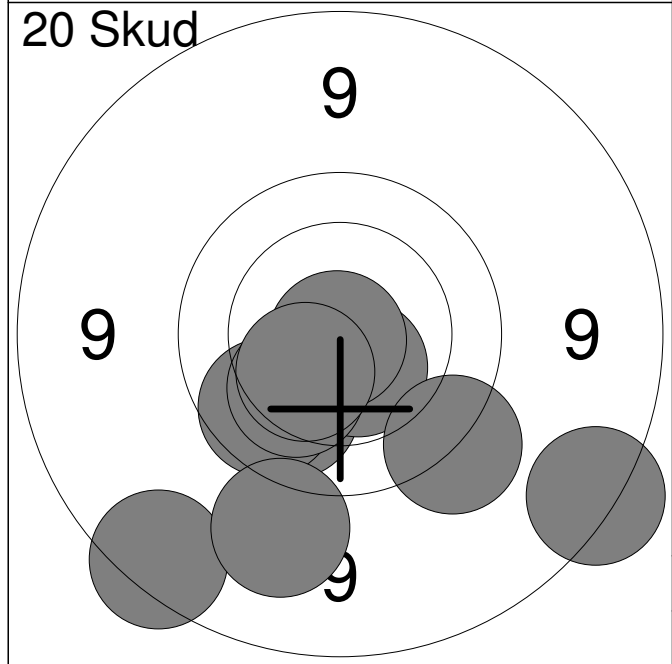


1: 7.4 ←	6: 9.6 ↗	Serie	85.0
2: 10.4 ↙	7: 8.6 ←		
3: 8.9 →	8: 7.3 ←	Total	85.0
4: 8.5 →	9: 9.0 ↗		
5: 9.4 ↗	10: 10.0 →		

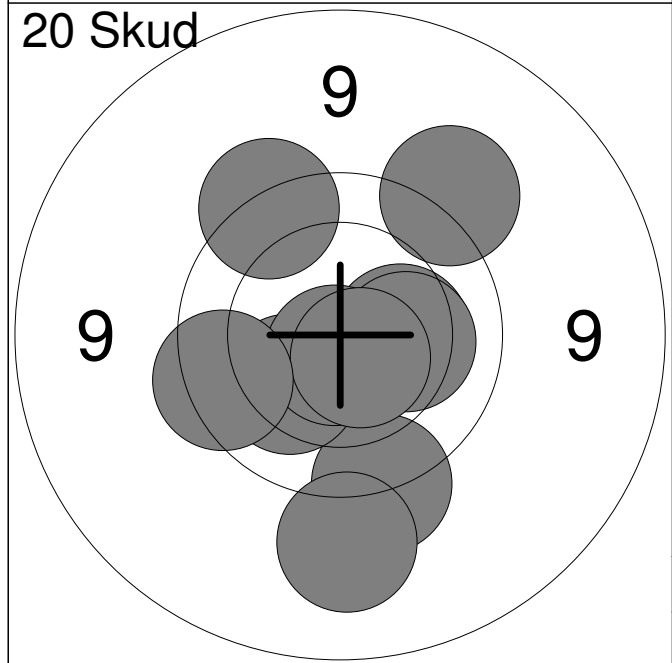
11: 8.9 ↙	16: 8.7 ↗	Serie	82.0
12: 8.7 ←	17: 8.9 →		
13: 9.1 ↙	18: 7.0 →	Total	167.0
14: 8.5 →	19: 8.9 ↗		
15: 9.9 ↗	20: 9.2 ↘		



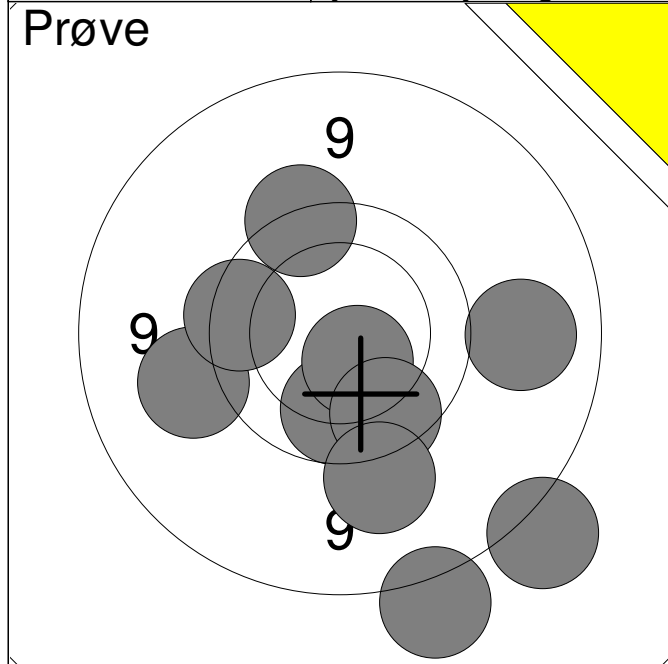
1:	8.8	←
2:	9.3	→
3:	9.6	↓
4:	9.6	↓
5:	9.6	↓
6:	*10.7	↗
7:	10.2	→
Serie		64.0
Total		0.0



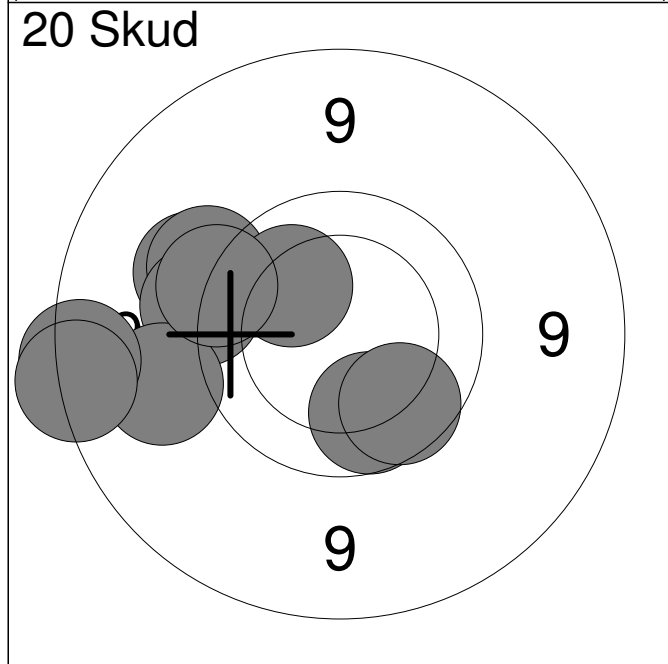
1:	10.0	↙
2:	8.8	↘
3:	8.8	↙
4:	*10.5	↘
5:	9.5	↘
6:	9.9	↙
7:	10.2	↙
8:	*10.9	↙
9:	10.4	↙
10:	9.3	↘
Serie		93.0
Total		93.0



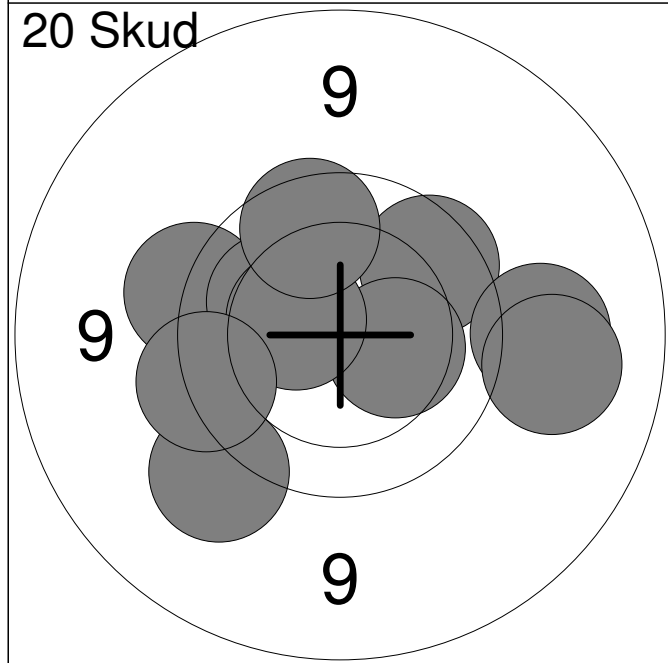
11:	9.6	↓
12:	9.2	↓
13:	10.3	→
14:	10.2	→
15:	10.2	↙
16:	*10.7	↘
17:	*10.6	↘
18:	9.6	↗
19:	9.7	↙
20:	9.4	↗
Serie		95.0
Total		188.0



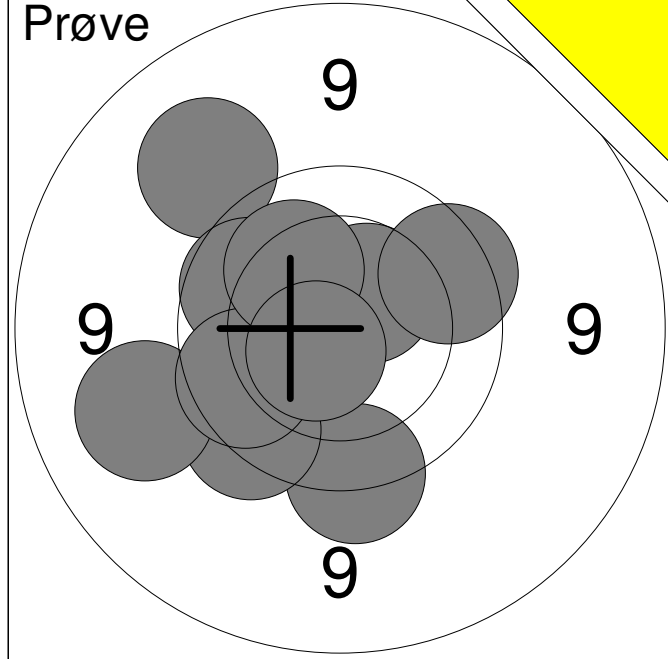
1:	8.6	↓
2:	9.1	→
3:	9.3	←
4:	8.6	↓
5:	9.9	↓
6:	*10.5	↓
7:	9.8	↓
8:	9.4	↓
9:	9.7	←
10:	9.6	↑
Serie		89.0
Total		0.0



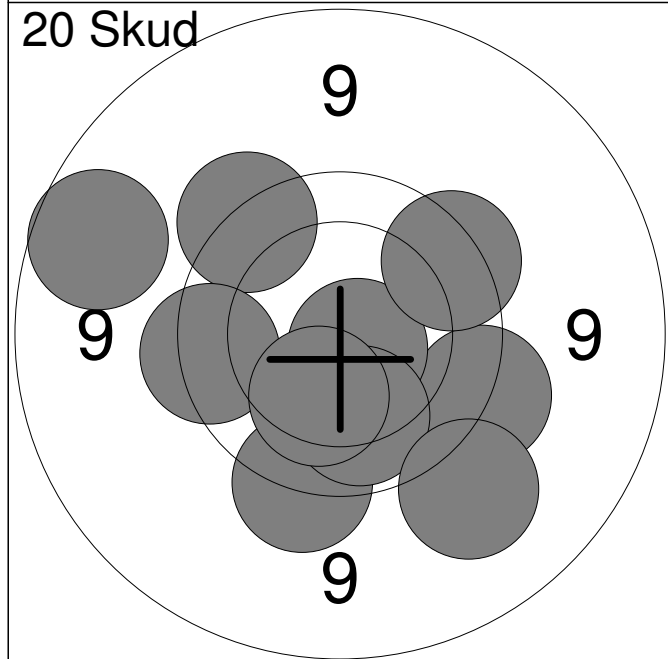
1:	9.9	↓
2:	9.4	↑
3:	9.5	↑
4:	9.5	←
5:	10.1	↑
6:	9.2	←
7:	8.8	←
8:	9.6	↑
9:	8.7	←
10:	9.9	↓
Serie		89.0
Total		89.0



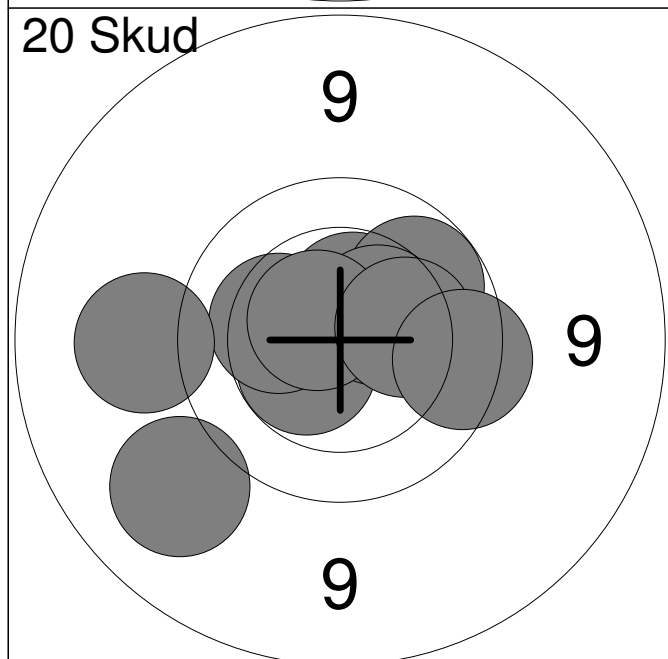
11:	9.6	←
12:	9.8	↗
13:	9.3	→
14:	9.4	↓
15:	9.2	→
16:	10.3	→
17:	10.2	↗
18:	10.4	←
19:	9.8	↑
20:	9.6	←
Serie		93.0
Total		182.0



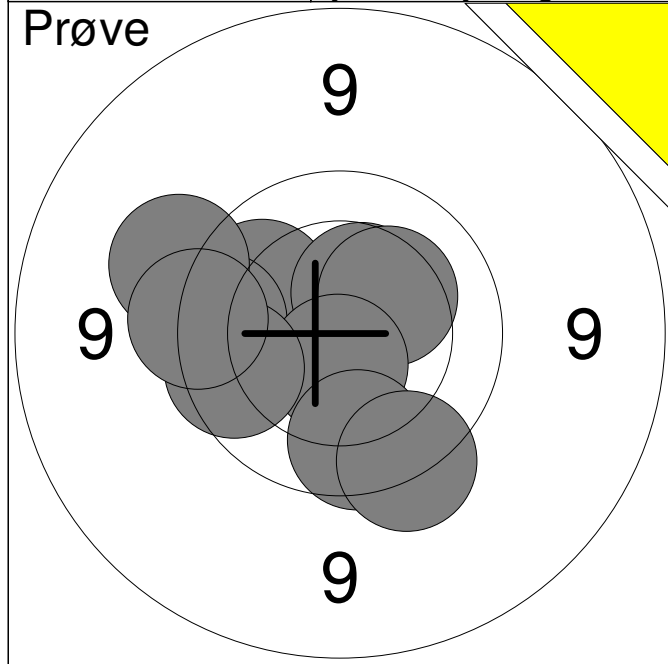
1:	9.6	↓
2:	9.2	↗
3:	9.7	↘
4:	9.2	↖
5:	10.5	↗
6:	9.8	→
7:	9.9	↖
8:	9.9	↖
9:	10.1	↗
10:	*10.6	↘
Serie		93.0
Total		0.0



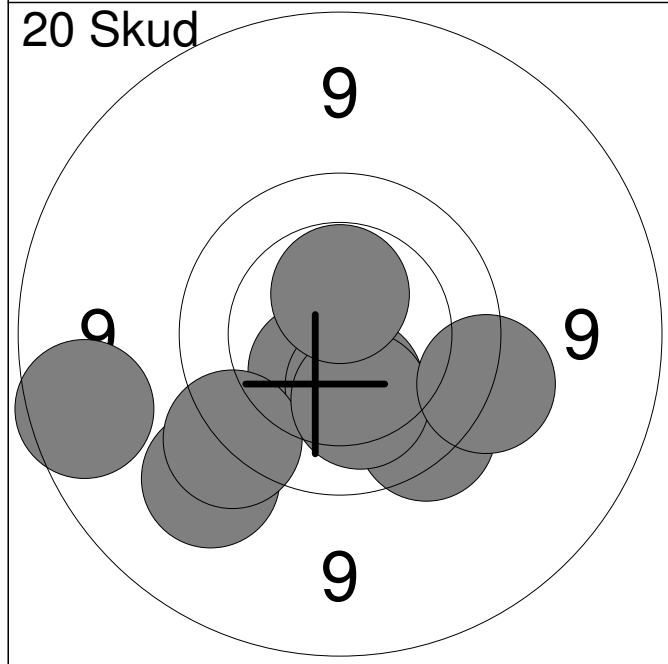
1:	8.9	↖
2:	9.6	↘
3:	*10.7	↘
4:	9.6	↗
5:	9.7	↖
6:	9.6	↓
7:	10.0	↓
8:	9.7	↗
9:	9.3	↘
10:	10.2	↓
Serie		92.0
Total		92.0



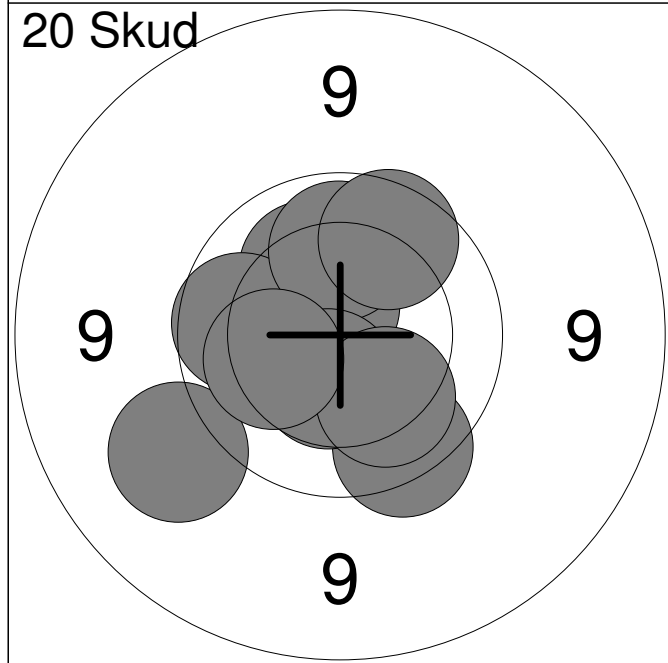
11:	*10.5	↖
12:	*10.5	↗
13:	10.0	↗
14:	10.5	↗
15:	10.3	↖
16:	9.2	↖
17:	*10.6	↗
18:	9.3	↖
19:	10.2	→
20:	9.8	→
Serie		97.0
Total		189.0



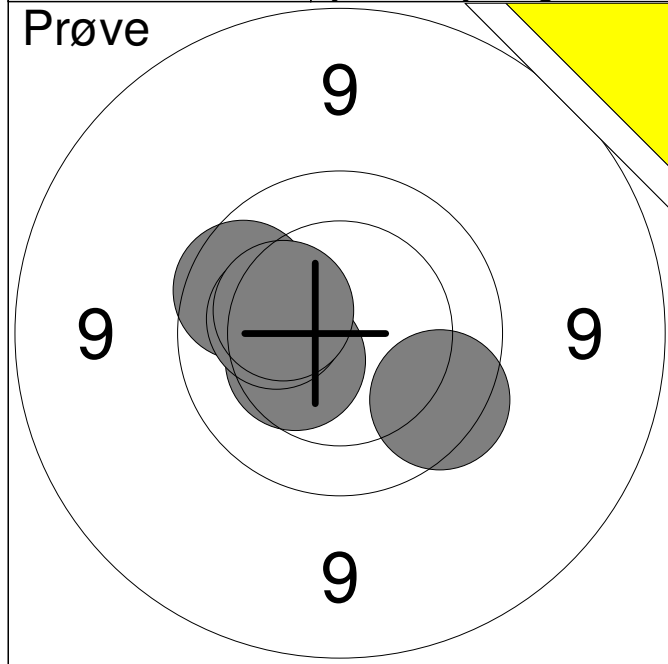
1:	10.0	↗
2:	9.8	←
3:	10.5	↗
4:	9.4	←
5:	10.3	↗
6:	*10.6	↓
7:	9.8	←
8:	9.9	↓
9:	9.6	←
10:	9.6	↓
Serie		94.0
Total		0.0



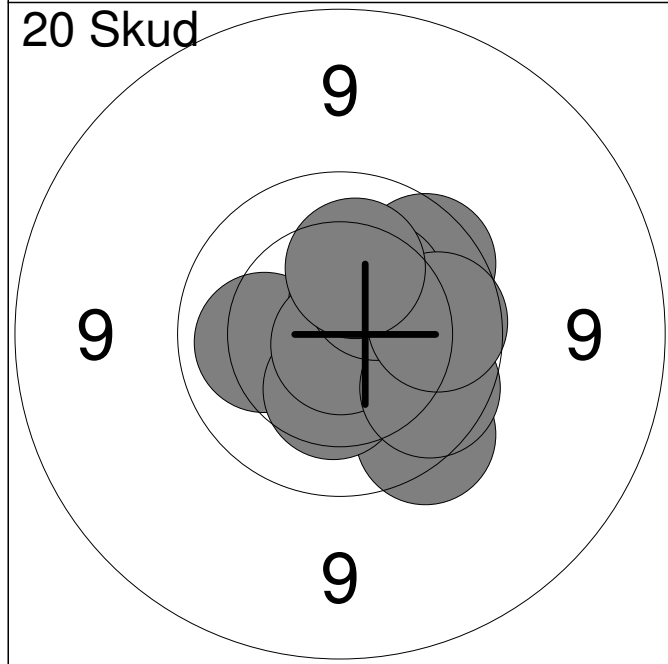
1:	*10.6	↓
2:	10.5	↓
3:	10.4	↓
4:	9.3	←
5:	9.6	←
6:	9.7	↓
7:	10.2	↓
8:	8.9	←
9:	9.6	→
10:	*10.5	↑
Serie		94.0
Total		94.0



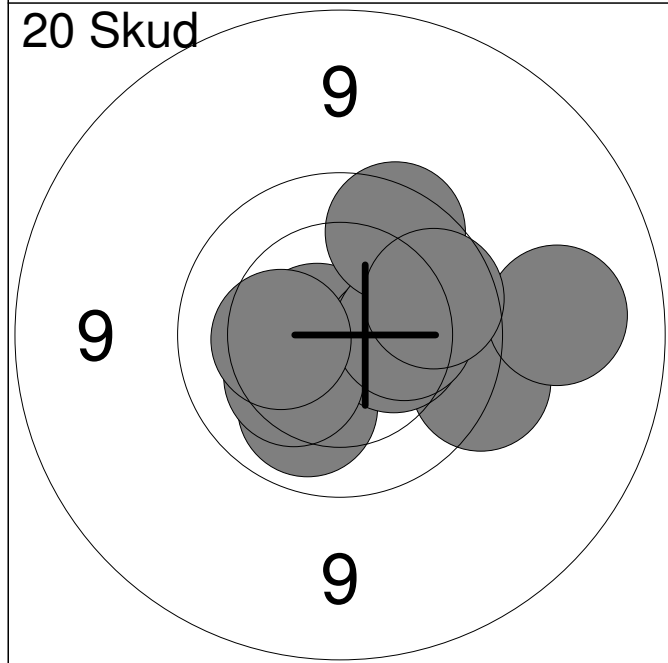
11:	*10.6	↑
12:	10.2	↑
13:	9.3	←
14:	9.9	←
15:	9.7	↓
16:	10.0	↑
17:	9.9	↗
18:	10.5	↓
19:	10.1	↓
20:	10.2	←
Serie		96.0
Total		190.0



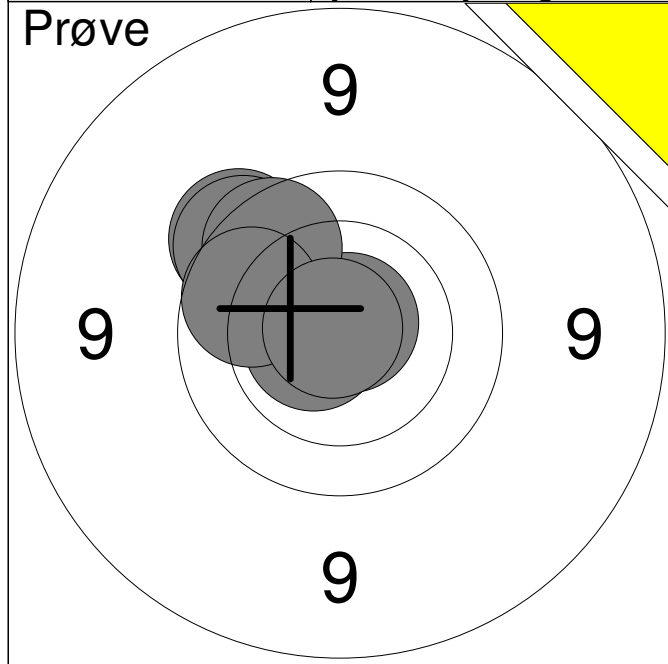
1:	9.8	↘
2:	10.4	↙
3:	9.9	↗
4:	10.2	↖
5:	10.3	↗
Serie		48.0
Total		0.0



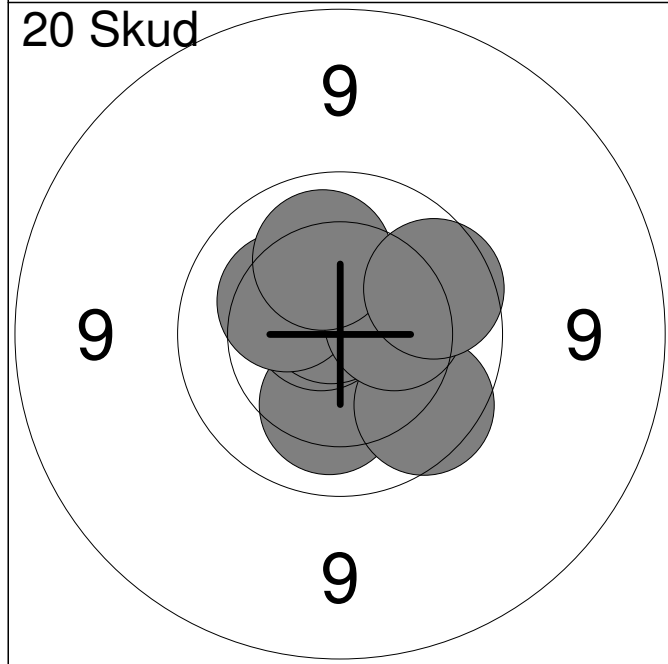
1:	10.1	←
2:	9.8	↗
3:	9.7	↘
4:	*10.5	↗
5:	10.4	↘
6:	*10.8	↘
7:	9.9	↘
8:	10.3	↗
9:	9.9	→
10:	10.2	↑
Serie		96.0
Total		96.0



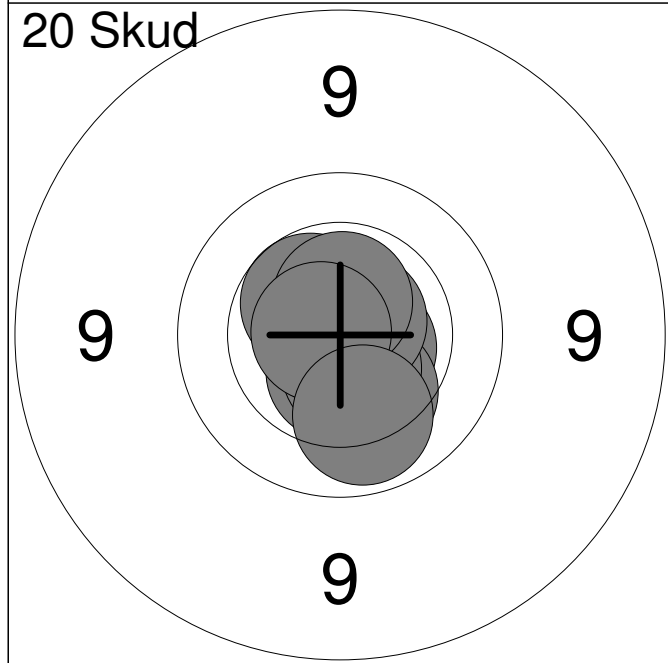
11:	9.6	→
12:	*10.7	←
13:	10.1	↘
14:	9.2	→
15:	10.4	→
16:	10.3	↖
17:	10.3	→
18:	9.8	↗
19:	9.9	→
20:	10.3	←
Serie		96.0
Total		192.0



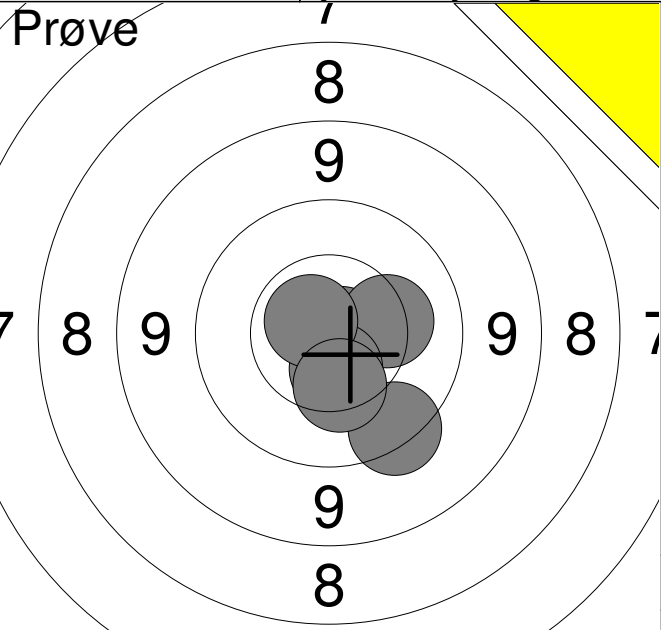
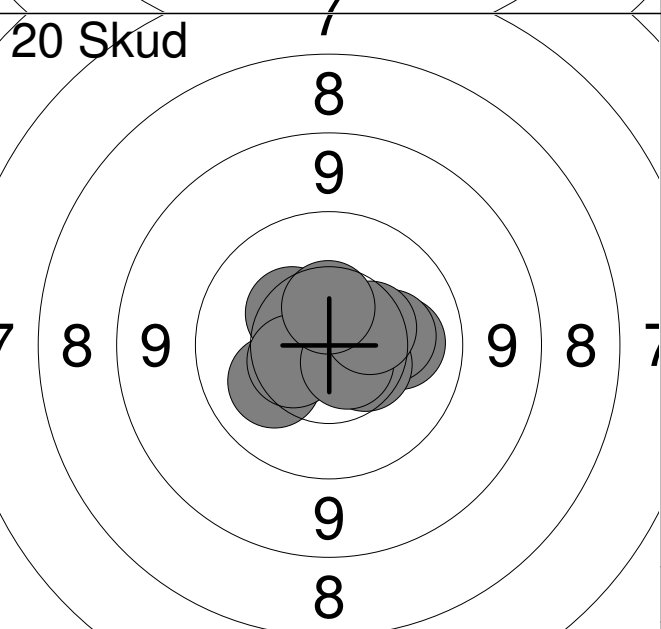
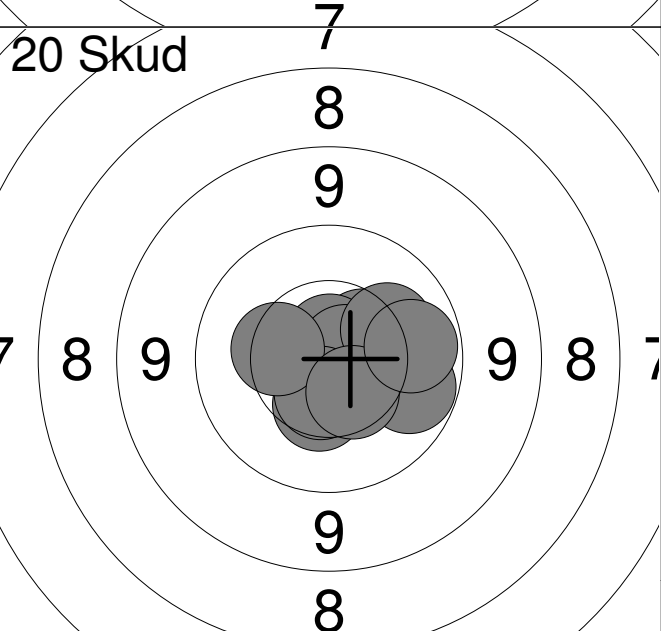
1:	*10.8	↗
2:	9.7	↗
3:	9.7	↗
4:	9.8	↗
5:	*10.6	↖
6:	9.9	↗
7:	*10.8	↗
Serie		66.0
Total		0.0

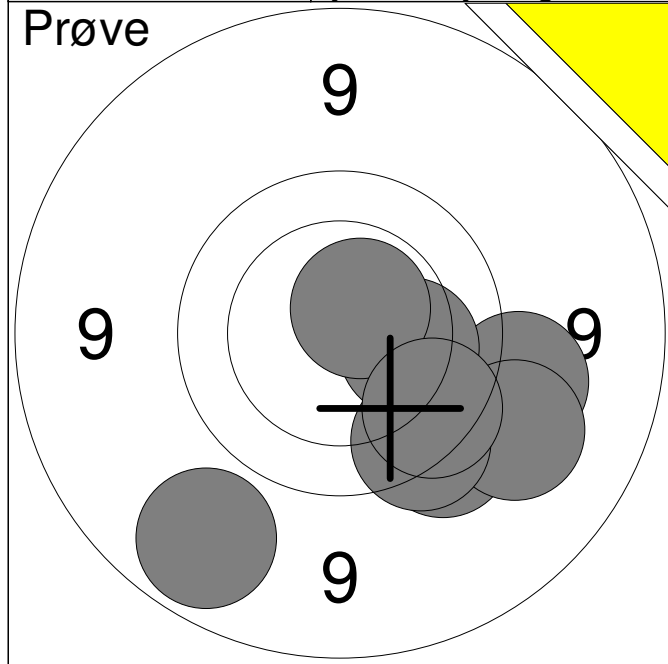


1:	*10.8	→
2:	10.5	↗
3:	10.2	↘
4:	9.8	↘
5:	*10.7	↗
6:	*10.7	↗
7:	10.3	↗
8:	10.3	→
9:	10.1	↗
10:	9.9	↗
Serie		98.0
Total		98.0

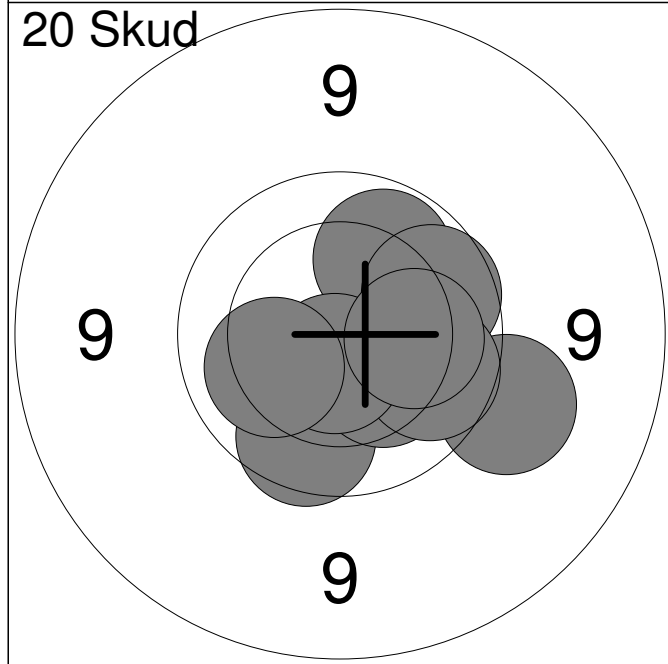


11:	10.5	↗
12:	*10.6	→
13:	*10.6	↘
14:	10.3	↘
15:	*10.6	↘
16:	*10.9	↘
17:	*10.7	↗
18:	*10.6	↗
19:	*10.7	↖
20:	10.0	↘
Serie		100.0
Total		198.0

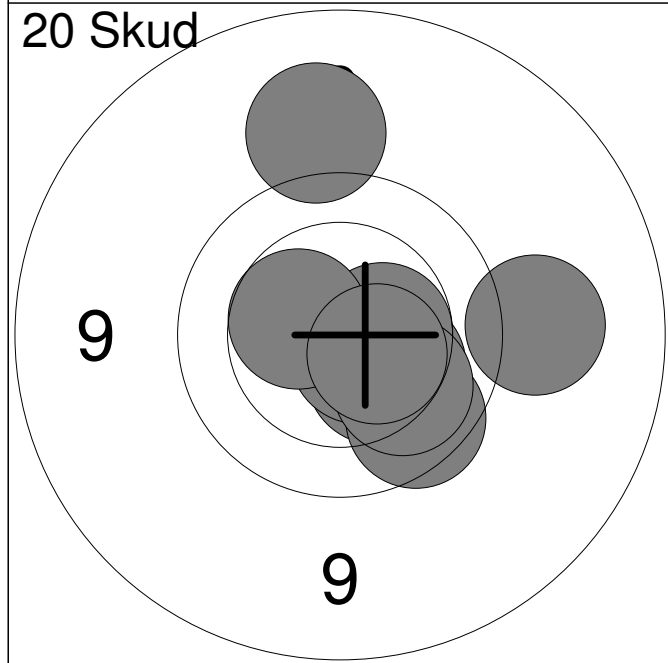
	Jyllandsskydning	Aalborg Skyttekreds	
Prøve 		1: 9.6 ↘ 2: *10.8 → 3: 10.3 → 4: 10.5 ↘ 5: *10.7 ↗ 6: 10.3 ↘	
	Serie		59.0
	Total		0.0
20 Skud 		1: *10.6 ↗ 2: 10.2 ↙ 3: 10.1 → 4: 10.4 ↗ 5: 10.5 ↙ 6: 10.2 → 7: 10.5 ↘ 8: *10.7 ↘ 9: 10.4 → 10: 10.5 ↑	
	Serie		100.0
	Total		100.0
20 Skud 		11: 10.5 ↗ 12: *10.7 ↑ 13: 10.0 → 14: *10.7 → 15: 10.2 → 16: 10.4 ↘ 17: 10.5 ↘ 18: 10.3 ← 19: 10.5 ↘ 20: 10.0 →	
	Serie		100.0
	Total		200.0



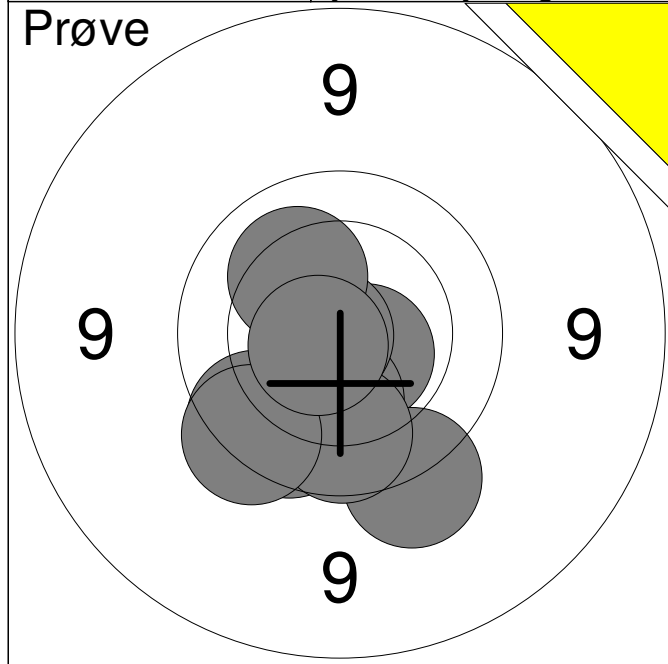
1:	9.0	↙
2:	9.6	↘
3:	9.4	→
4:	10.2	→
5:	9.3	↘
6:	*10.6	↗
7:	9.7	↘
8:	9.8	↘
Serie		74.0
Total		0.0



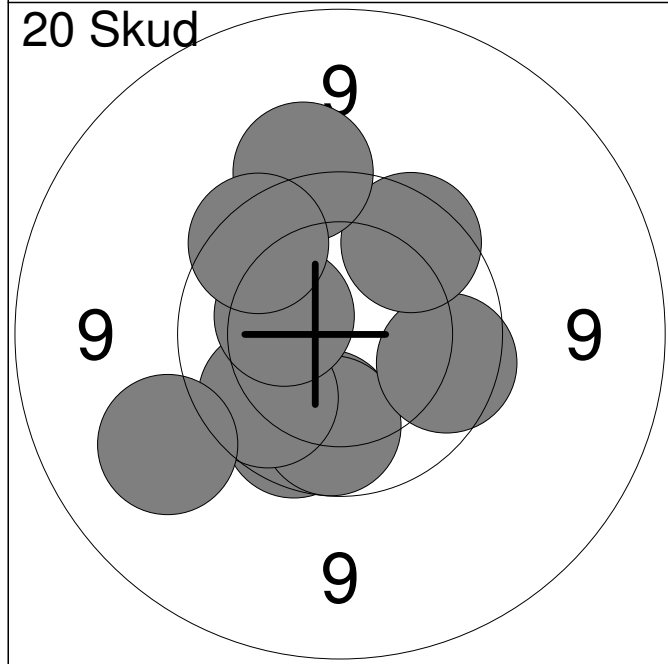
1:	10.2	→
2:	10.0	↗
3:	9.4	→
4:	9.9	→
5:	9.9	↘
6:	10.3	↘
7:	9.9	→
8:	*10.6	↘
9:	10.1	→
10:	10.2	↙
Serie		96.0
Total		96.0



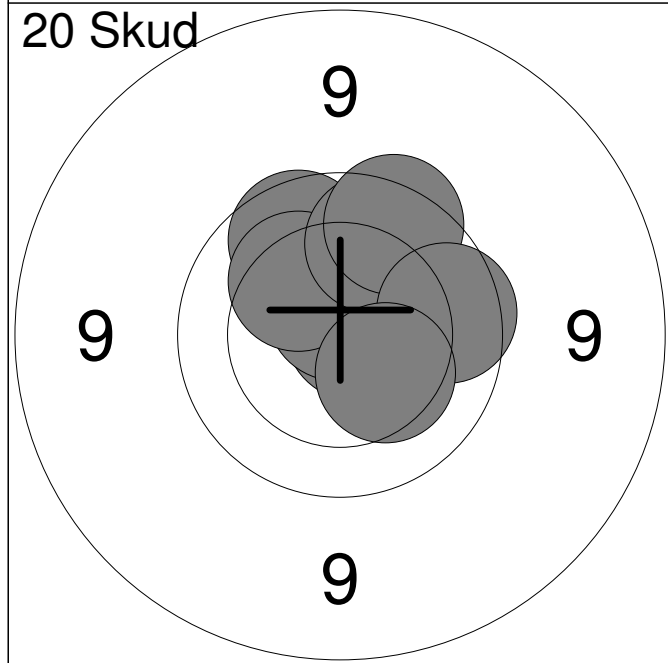
11:	10.4	↘
12:	10.3	↘
13:	*10.6	↘
14:	9.3	→
15:	9.8	↘
16:	*10.5	→
17:	10.5	↗
18:	9.3	↗
19:	10.1	↘
20:	*10.5	↘
Serie		97.0
Total		193.0



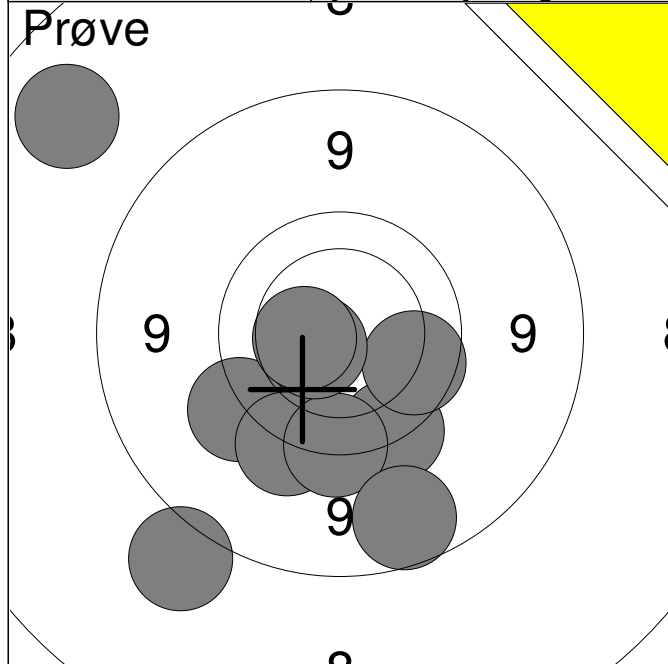
1:	9.8	↙
2:	*10.6	↘
3:	9.9	↙
4:	9.5	↘
5:	10.2	↘
6:	*10.8	←
7:	9.9	↘
8:	9.7	↙
9:	10.2	↗
10:	*10.7	↙
Serie		95.0
Total		0.0



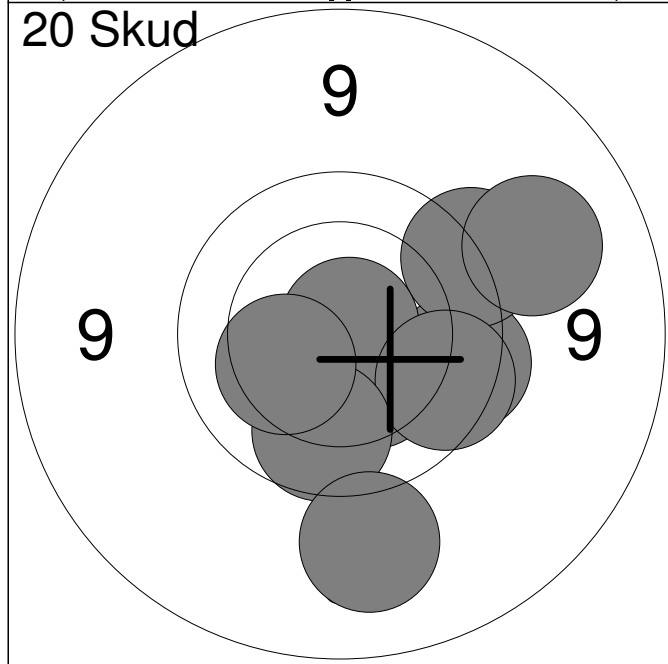
1:	10.0	↘
2:	9.9	↙
3:	10.0	↘
4:	9.8	→
5:	9.9	↙
6:	9.8	↗
7:	9.3	↙
8:	10.3	←
9:	9.5	↗
10:	9.8	↗
Serie		93.0
Total		93.0



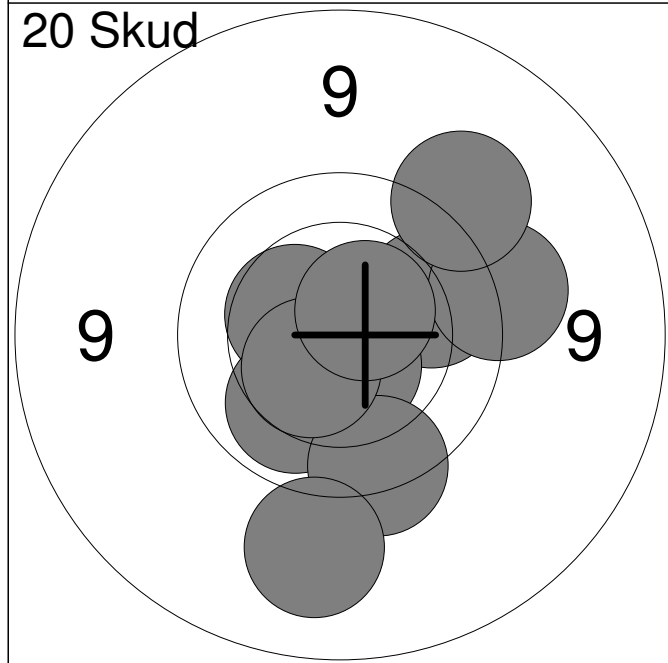
11:	*10.5	↗
12:	10.3	↗
13:	9.9	↗
14:	*10.8	→
15:	*10.7	↗
16:	10.2	↗
17:	9.9	↗
18:	9.8	↗
19:	9.8	→
20:	10.3	↘
Serie		96.0
Total		189.0



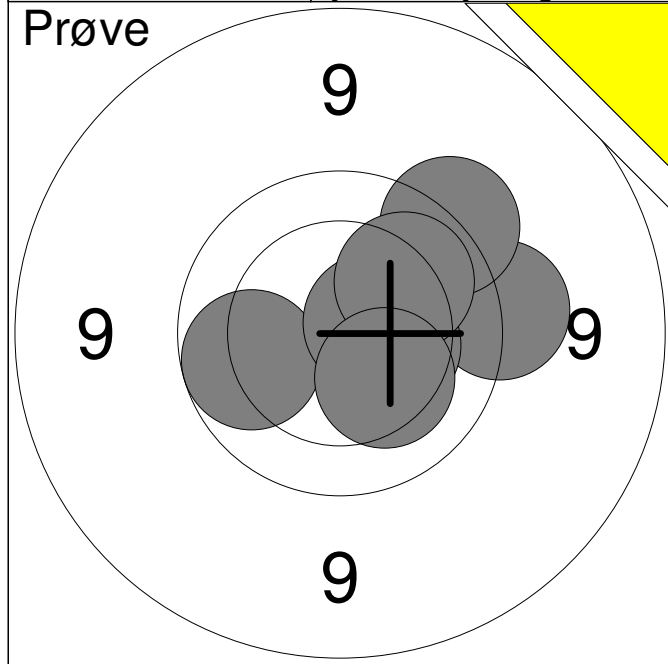
1:	8.5	↙
2:	8.1	↗
3:	9.5	↙
4:	9.5	↙
5:	9.6	↙
6:	9.6	↙
7:	8.9	↙
8:	9.9	→
9:	*10.5	↙
10:	10.4	←
Serie		89.0
Total		0.0



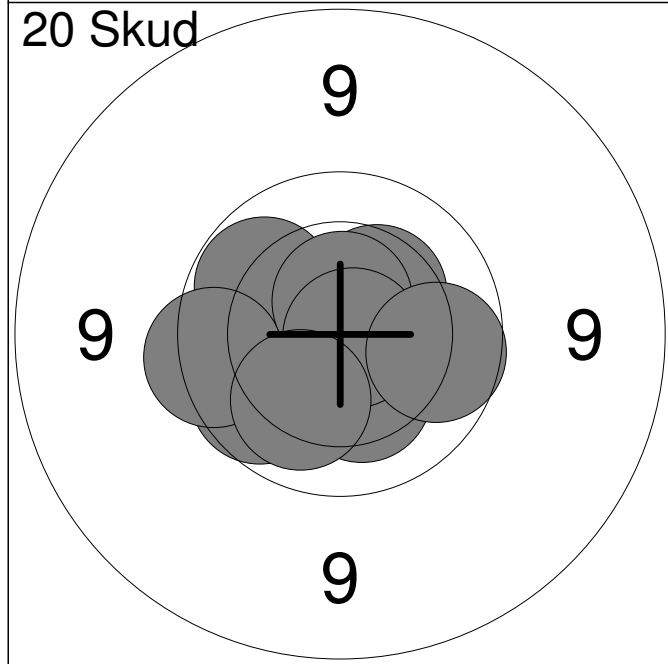
1:	9.8	→
2:	9.6	↗
3:	10.4	↙
4:	*10.7	↙
5:	*10.8	↗
6:	9.8	↗
7:	9.9	↙
8:	10.3	↙
9:	9.2	↗
10:	9.2	↙
Serie		94.0
Total		94.0



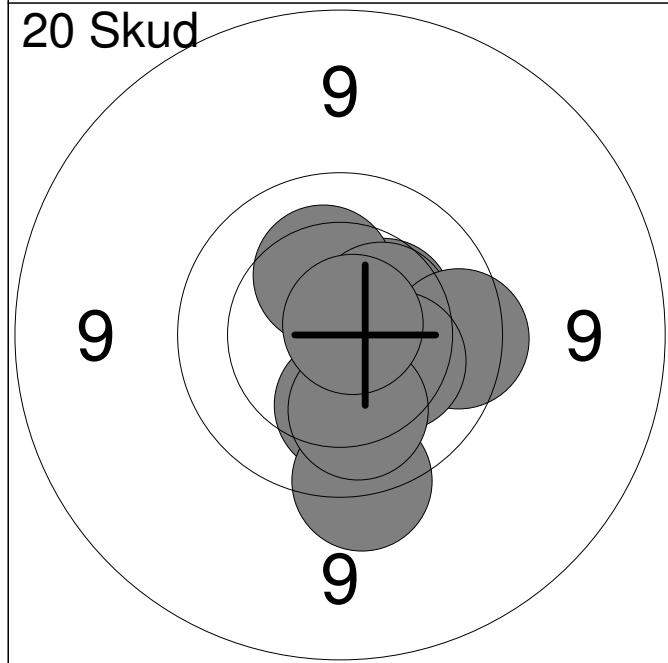
11:	9.9	↗
12:	9.5	→
13:	*10.6	↙
14:	10.4	↗
15:	10.1	↙
16:	9.7	↙
17:	9.4	↗
18:	10.5	↙
19:	9.2	↙
20:	*10.6	↗
Serie		95.0
Total		189.0



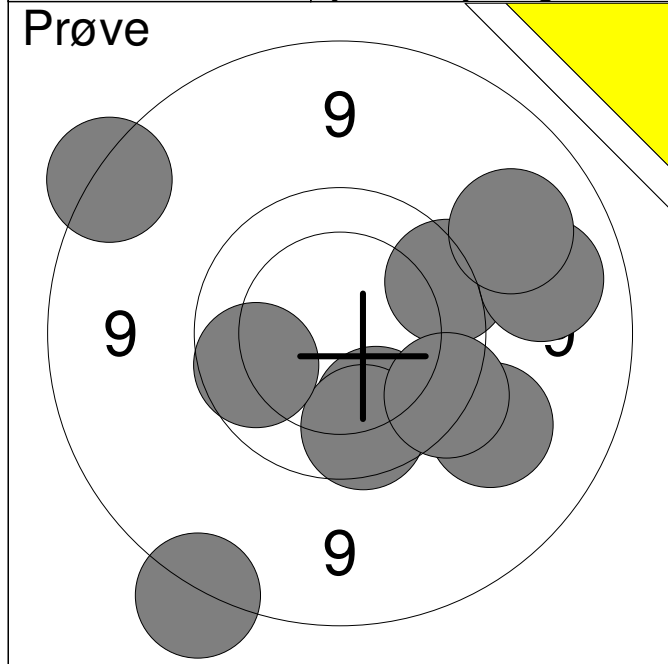
1:	9.5	→
2:	10.0	←
3:	10.4	→
4:	*10.6	→
5:	9.6	↗
6:	10.1	↗
7:	10.3	↘
Serie		68.0
Total		0.0



1:	9.9	↙
2:	10.0	↗
3:	10.4	↗
4:	*10.6	↘
5:	9.7	←
6:	10.3	↘
7:	*10.6	↑
8:	*10.8	→
9:	10.1	↙
10:	9.9	→
Serie		97.0
Total		97.0

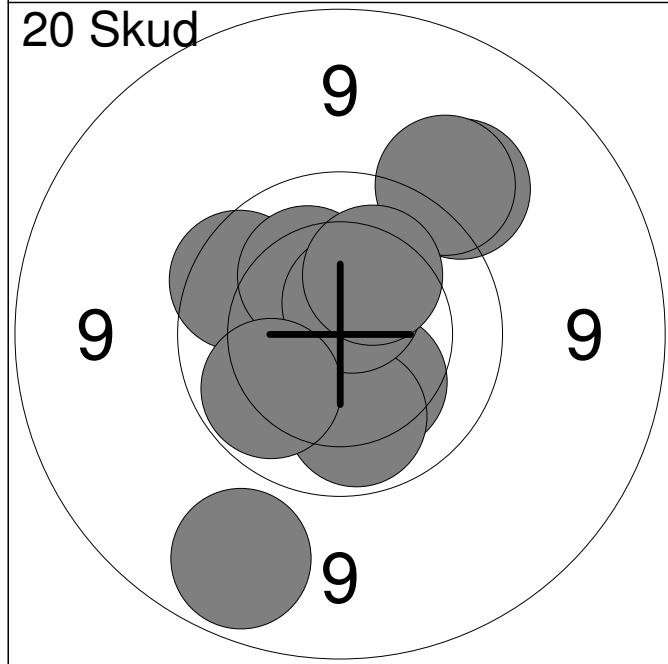


11:	10.4	→
12:	10.4	↗
13:	10.2	↓
14:	10.3	↑
15:	10.4	↗
16:	9.8	→
17:	10.3	→
18:	9.6	↓
19:	10.1	↓
20:	*10.8	↗
Serie		98.0
Total		195.0



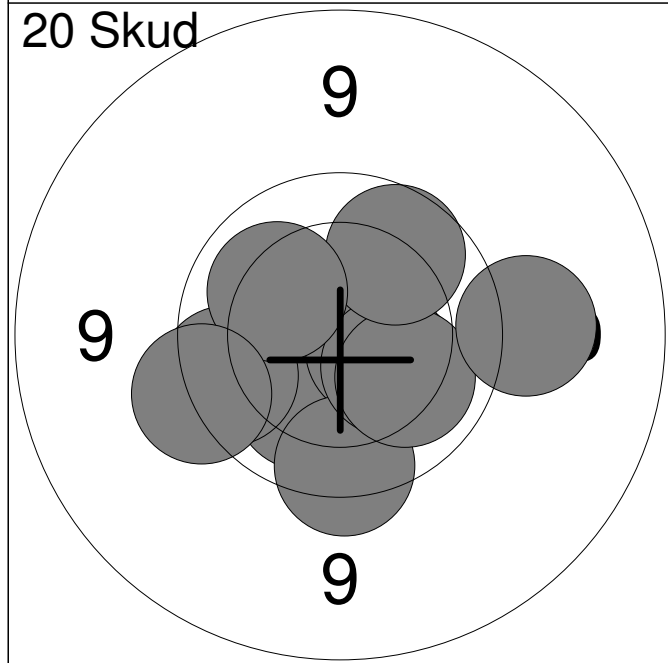
1:	8.6	↙
2:	8.7	↗
3:	9.7	→
4:	9.1	→
5:	9.3	↘
6:	9.9	↘
7:	9.2	↗
8:	9.9	↘
9:	9.9	←
10:	9.7	↘

Serie	88.0
Total	0.0



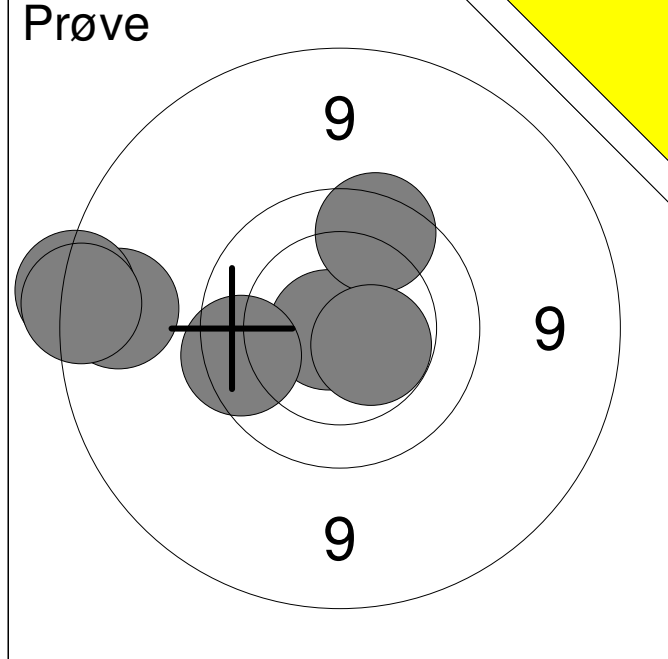
1:	9.8	↗
2:	10.2	↗
3:	10.3	↘
4:	10.0	↘
5:	9.4	↗
6:	9.0	↘
7:	9.4	↗
8:	*10.6	↗
9:	10.0	↙
10:	10.2	↗

Serie	96.0
Total	96.0

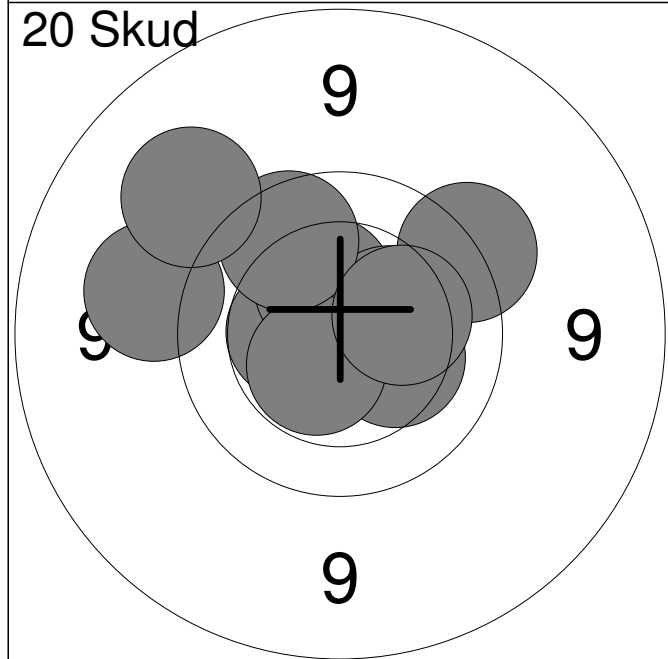


11:	10.2	↙
12:	*10.5	→
13:	9.7	↘
14:	9.8	←
15:	10.3	↘
16:	10.1	↘
17:	9.9	↗
18:	10.1	↗
19:	9.4	→
20:	9.6	←

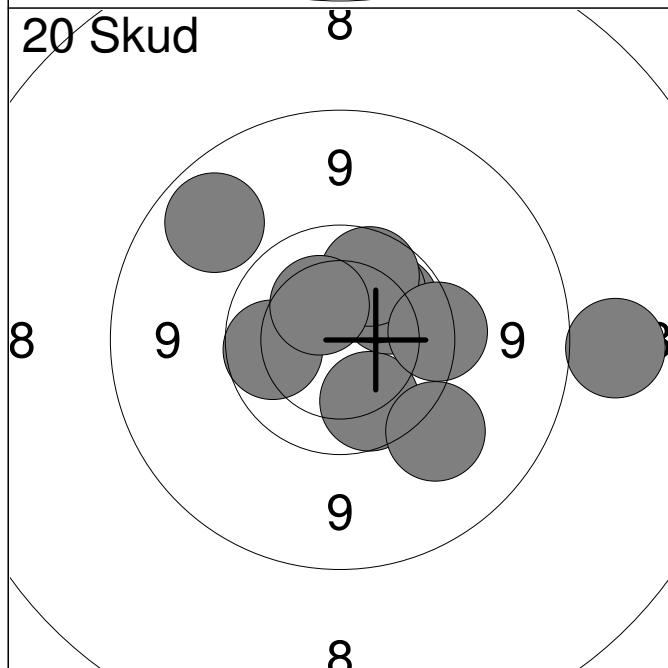
Serie	95.0
Total	191.0



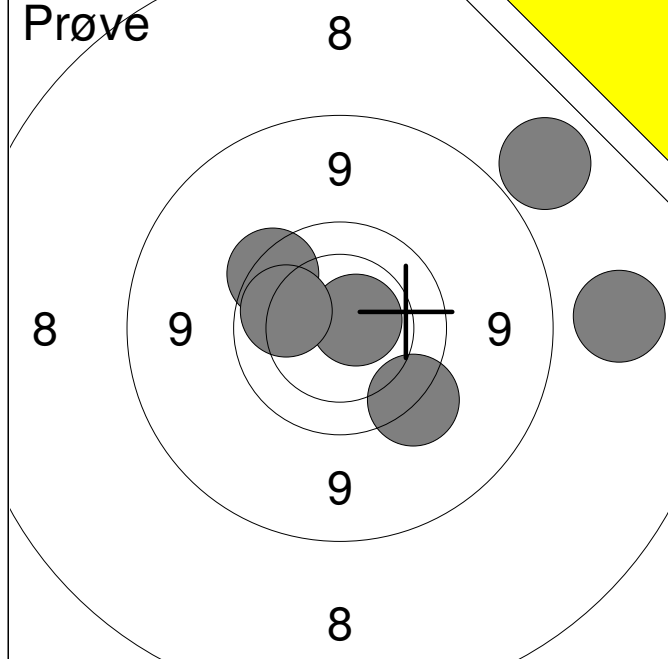
1:	*10.8	←
2:	8.9	←
3:	8.7	←
4:	8.8	←
5:	9.8	←
6:	9.8	↑
7:	*10.5	↘
Serie		62.0
Total		0.0



1:	9.3	←
2:	10.5	←
3:	10.4	↑
4:	9.6	↗
5:	10.4	→
6:	10.3	↘
7:	*10.5	↙
8:	9.9	↑
9:	9.3	↑
10:	10.2	→
Serie		96.0
Total		96.0

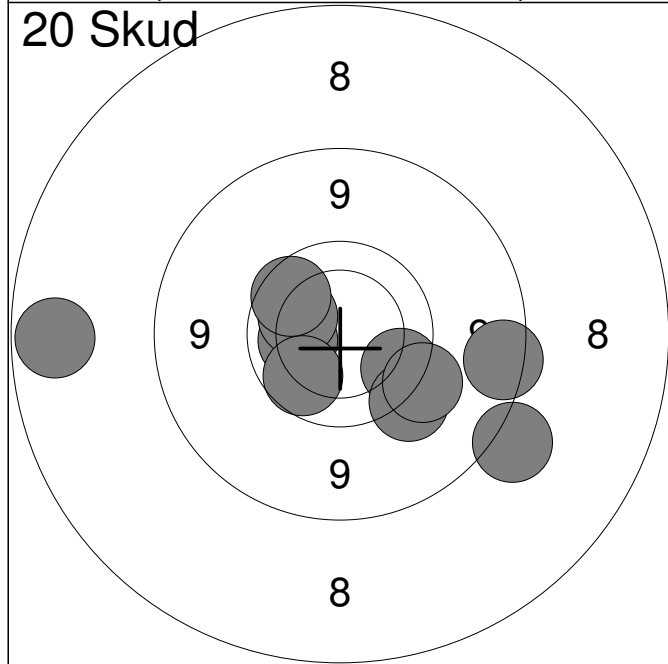


11:	9.9	↘
12:	10.0	↗
13:	9.0	↑
14:	10.0	↗
15:	9.9	←
16:	9.9	↑
17:	9.7	→
18:	10.3	↑
19:	8.4	→
20:	9.4	↘
Serie		92.0
Total		188.0



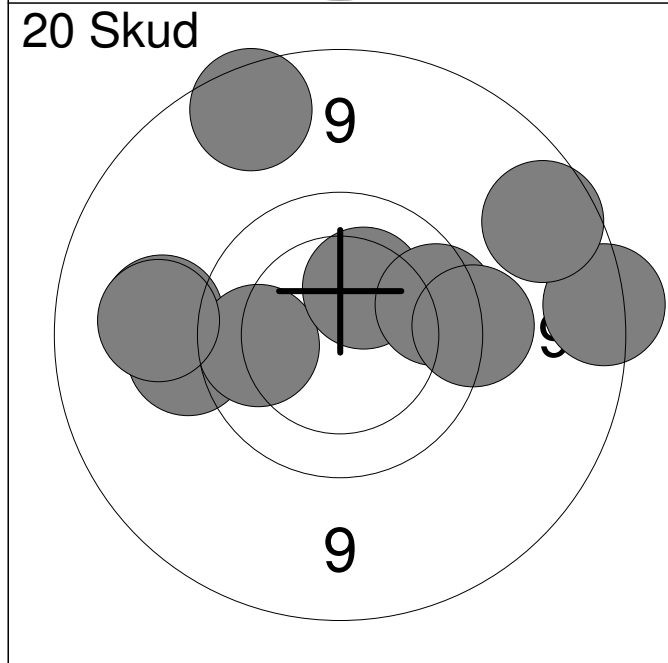
1:	8.4	↗
2:	*10.7	→
3:	8.3	→
4:	9.6	↘
5:	9.7	↗
6:	10.0	↖

Serie	54.0
Total	0.0



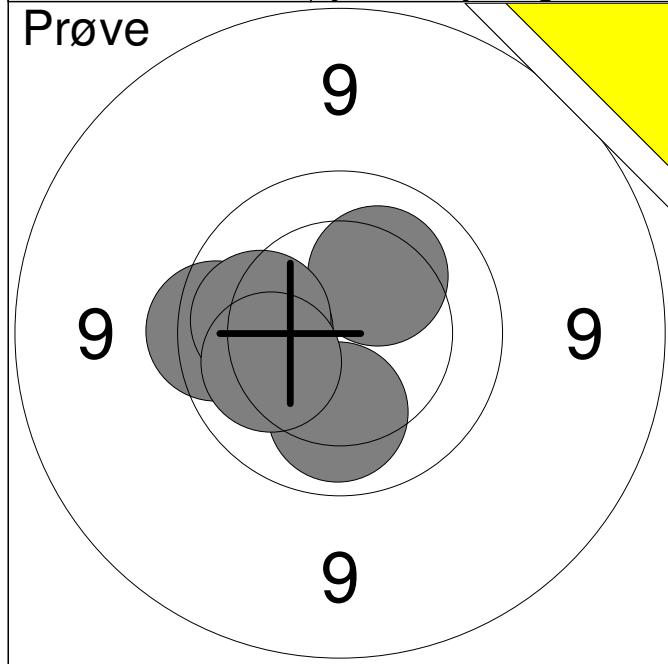
1:	10.1	←
2:	8.6	↘
3:	10.1	↗
4:	9.8	↘
5:	9.5	↘
6:	8.8	→
7:	8.0	←
8:	9.5	↘
9:	9.9	↘
10:	9.9	↗

Serie	89.0
Total	89.0

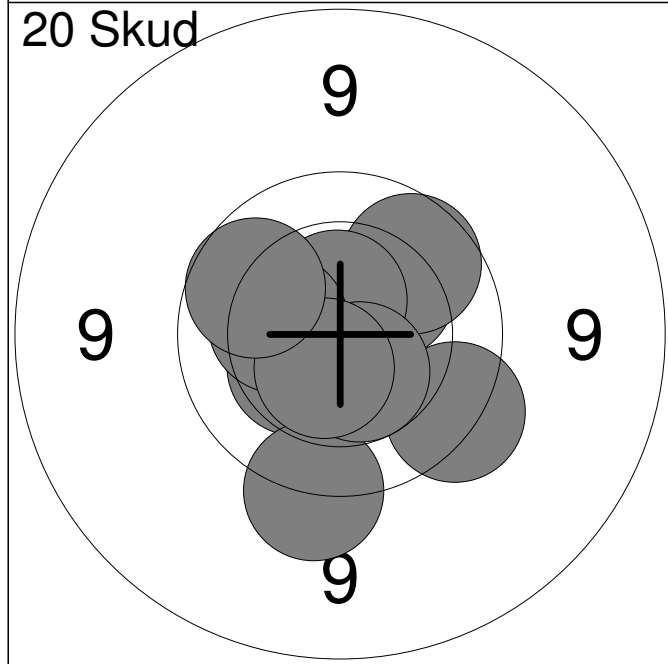


11:	9.3	←
12:	9.4	←
13:	9.9	←
14:	8.8	→
15:	8.9	↗
16:	10.3	↗
17:	9.8	→
18:	9.2	←
19:	8.9	↗
20:	9.6	→

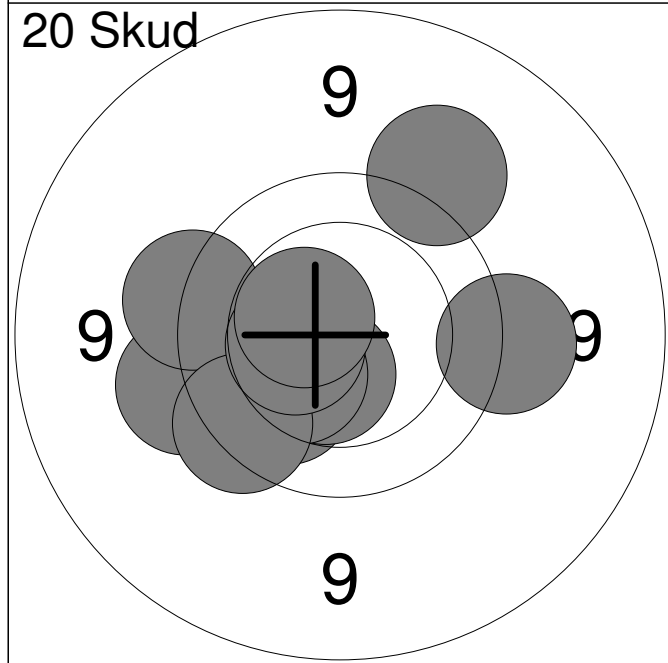
Serie	88.0
Total	177.0



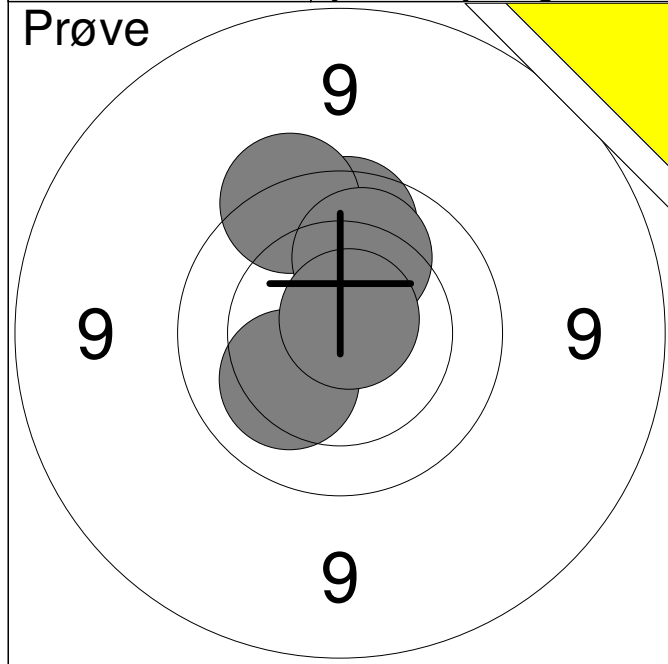
1:	10.2	↗
2:	10.1	←
3:	9.8	←
4:	10.1	←
5:	10.1	↓
6:	10.1	←
Serie		59.0
Total		0.0



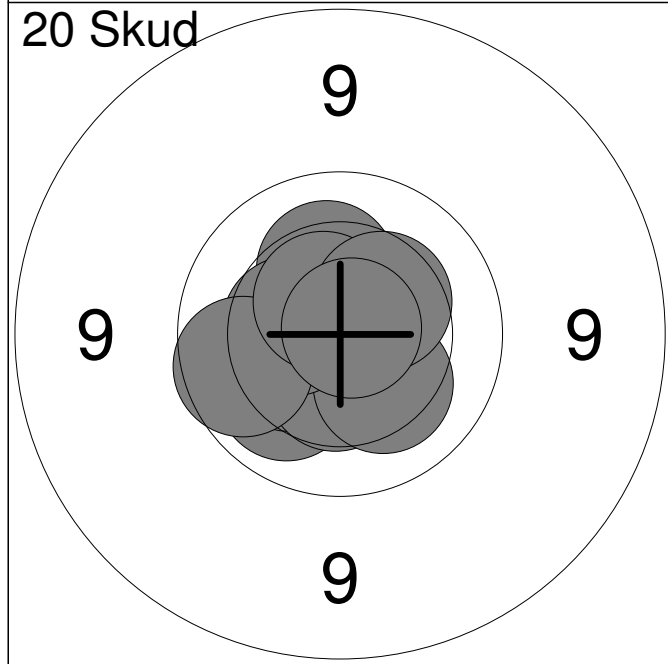
1:	10.3	↗
2:	9.7	↘
3:	9.9	↗
4:	10.4	←
5:	*10.6	↑
6:	9.5	↓
7:	10.3	←
8:	*10.5	↓
9:	*10.5	↘
10:	9.9	↖
Serie		96.0
Total		96.0



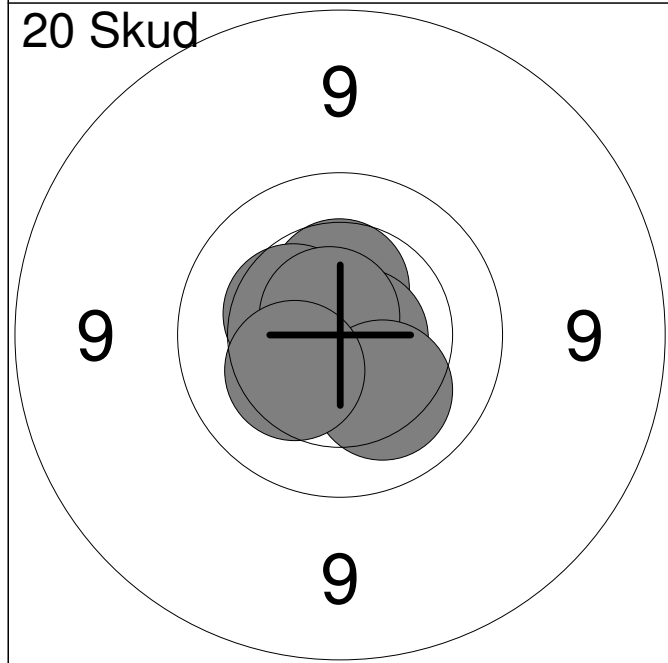
11:	10.1	↙
12:	9.5	→
13:	9.5	←
14:	*10.5	↓
15:	9.6	←
16:	10.3	↙
17:	9.7	↙
18:	10.5	←
19:	9.4	↗
20:	*10.5	↖
Serie		95.0
Total		191.0



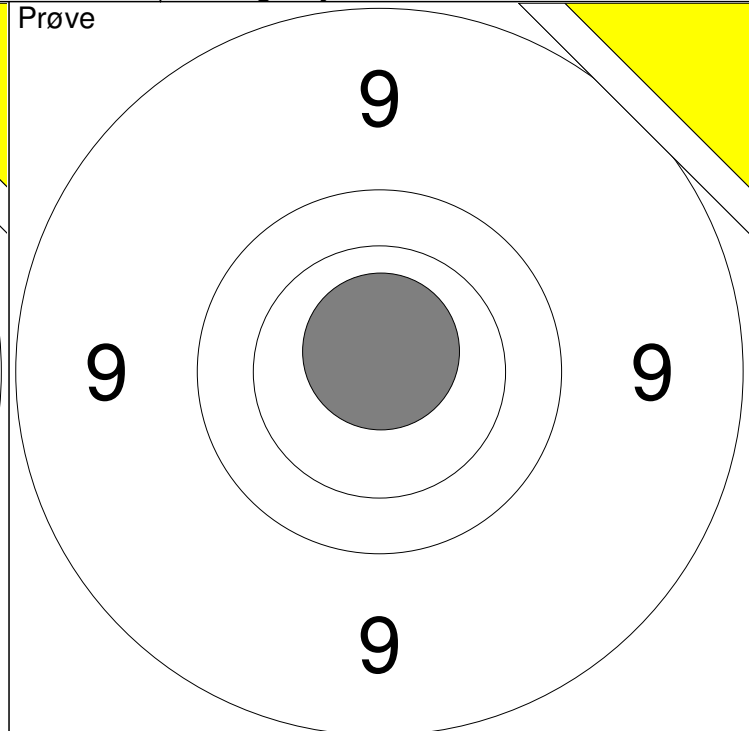
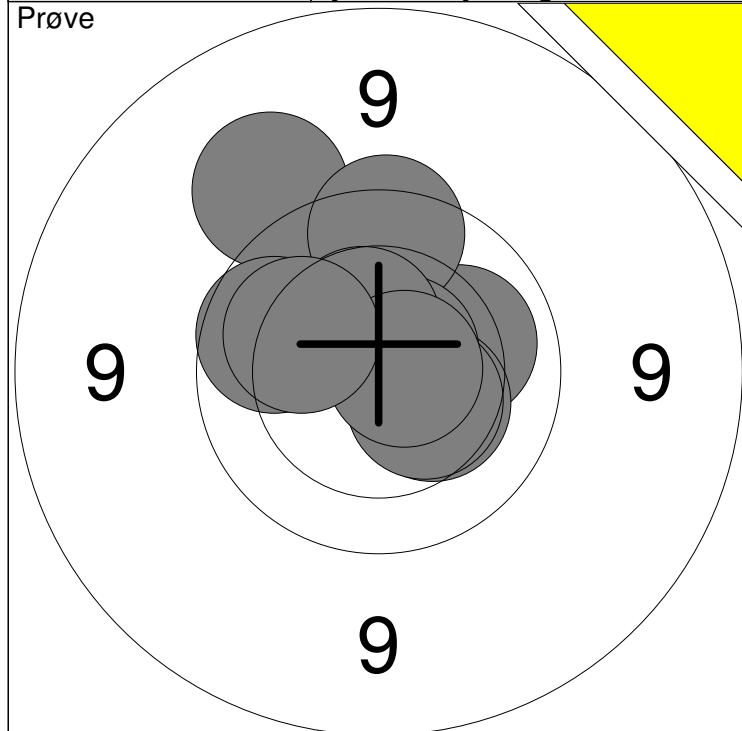
1:	9.9	↑
2:	9.7	↖
3:	10.1	↑
4:	10.2	↙
5:	*10.8	↗
Serie		48.0
Total		0.0



1:	10.2	↑
2:	10.1	↙
3:	10.3	↙
4:	10.4	↓
5:	10.2	↘
6:	10.4	↖
7:	9.9	↖
8:	*10.6	↑
9:	10.4	↗
10:	*10.8	↗
Serie		99.0
Total		99.0

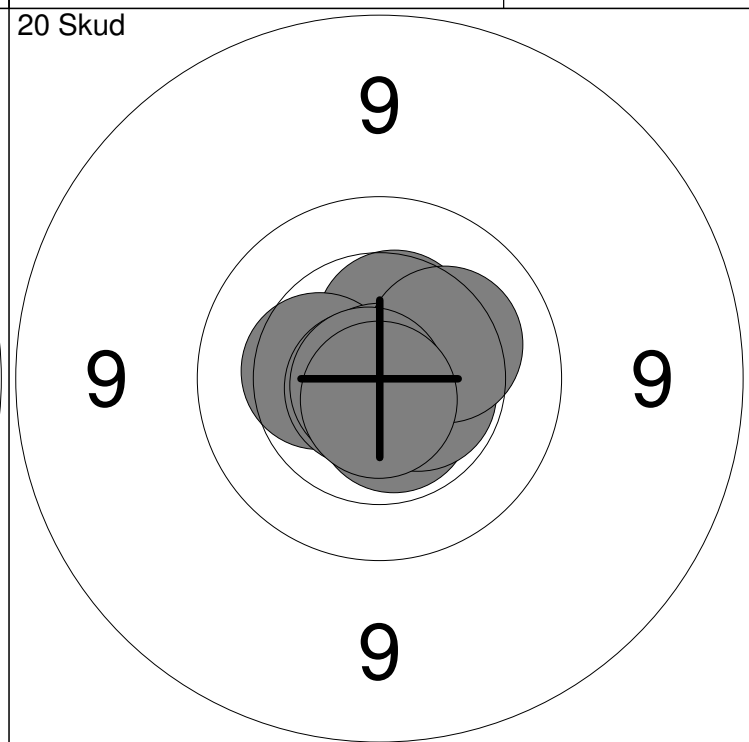
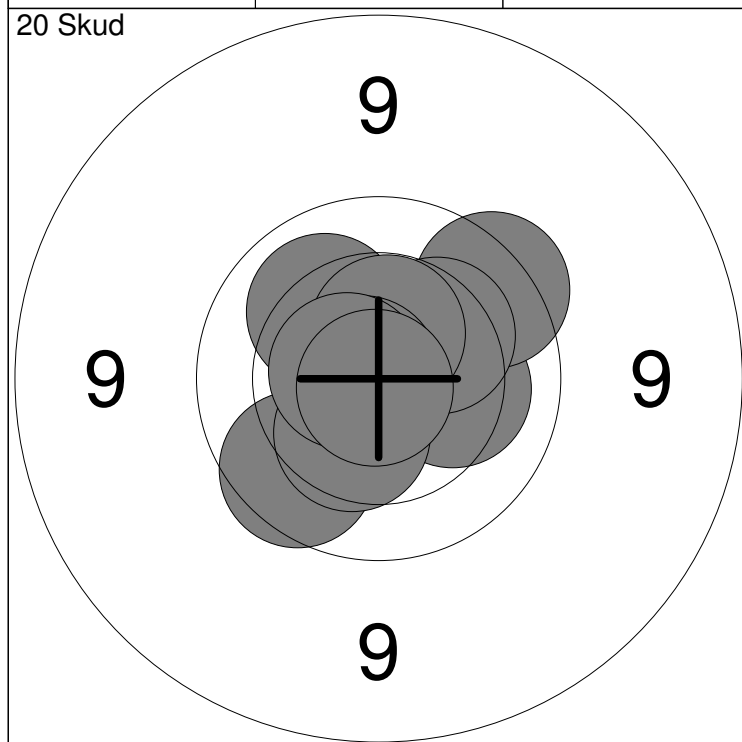


11:	*10.8	↖
12:	*10.9	↖
13:	*10.6	↖
14:	*10.8	↖
15:	10.4	↑
16:	10.4	↖
17:	*10.8	→
18:	*10.7	↑
19:	10.2	↓
20:	10.3	↙
Serie		100.0
Total		199.0



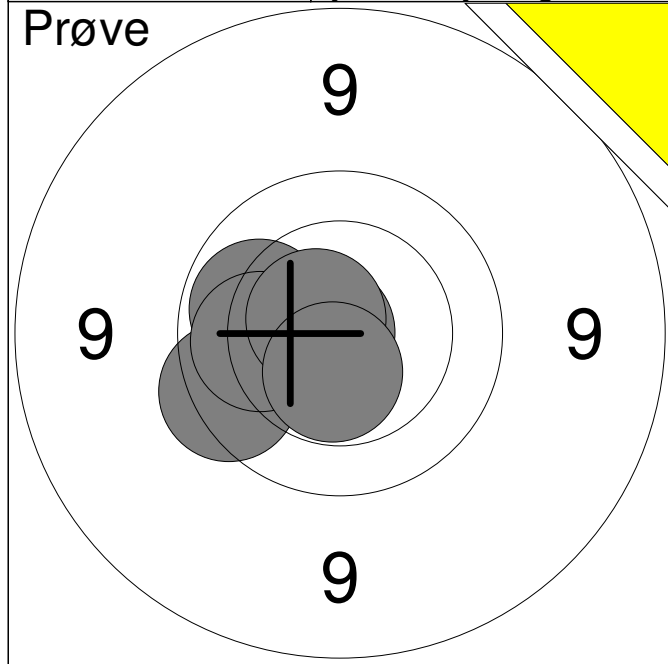
1: 9.4 ↗	6: 10.4 ↘	Serie	97.0
2: 10.1 →	7: 10.5 ↗		
3: 9.8 ↑	8: 9.9 ←	Total	0.0
4: 10.3 ↘	9: *10.7 →		
5: *10.7 ↗	10: 10.1 ←		

11: *10.8 ↑		Serie	10.0
		Total	0.0

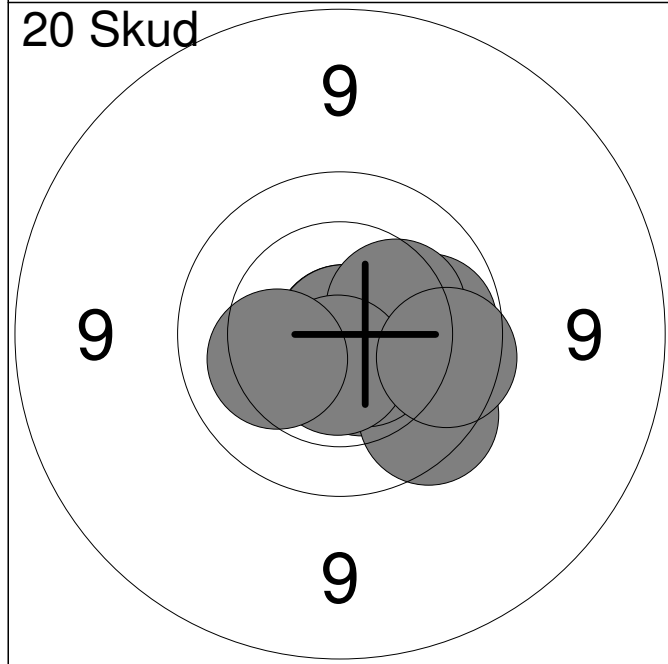


1: 10.1 ↗	6: *10.8 ↙	Serie	98.0
2: 10.2 →	7: 9.9 ↘		
3: 9.7 ↗	8: 10.4 ↘	Total	98.0
4: 10.3 ↗	9: *10.6 ↙		
5: *10.5 ↑	10: *10.9 ↘		

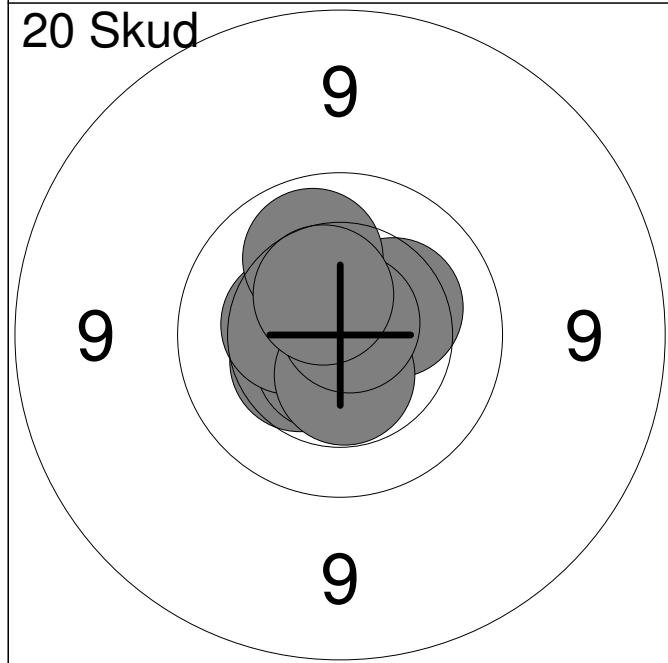
11: *10.7 ↗	16: *10.5 →	Serie	100.0
12: 10.4 ↑	17: *10.9 ↘		
13: 10.4 ←	18: 10.2 →	Total	198.0
14: *10.6 ↘	19: *10.8 ↙		
15: *10.8 ↙	20: *10.7 ↘		



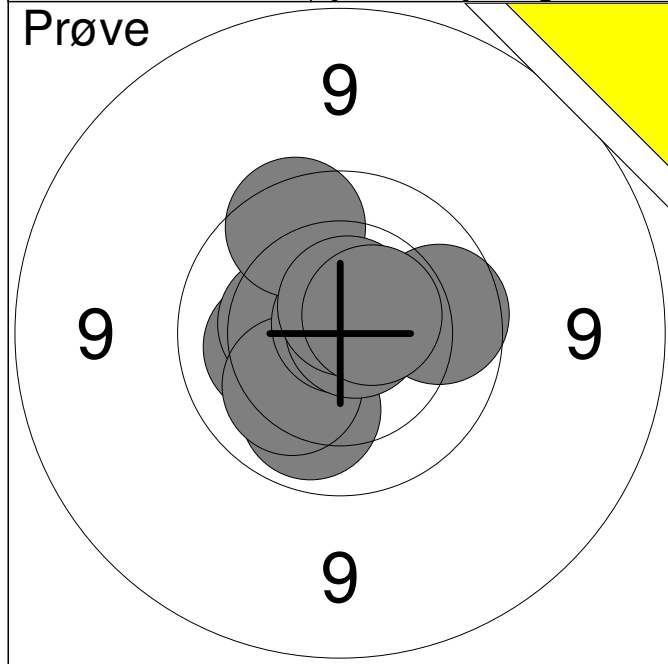
1:	10.0	←
2:	*10.8	←
3:	9.7	←
4:	10.1	←
5:	*10.6	↗
6:	*10.5	↓
Serie		59.0
Total		0.0



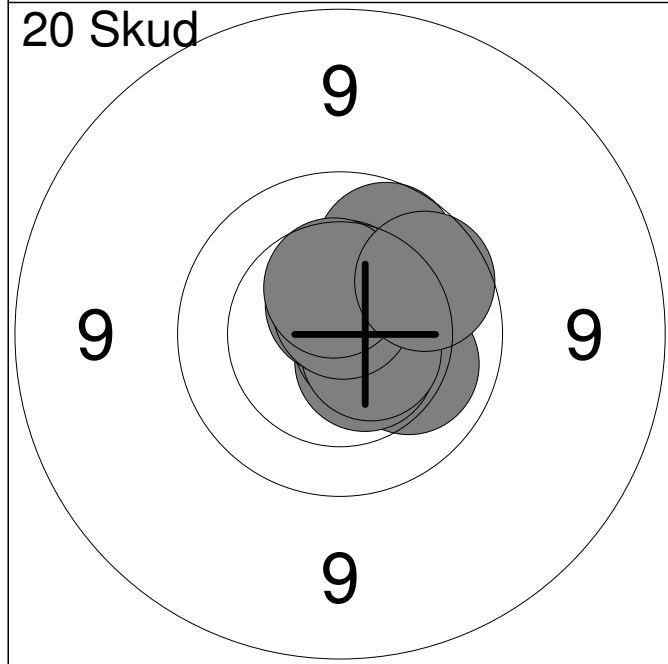
1:	*10.5	↓
2:	*10.9	→
3:	*10.9	→
4:	10.0	→
5:	9.8	↓
6:	*10.6	↓
7:	10.3	↗
8:	*10.6	↓
9:	9.8	→
10:	10.2	←
Serie		98.0
Total		98.0



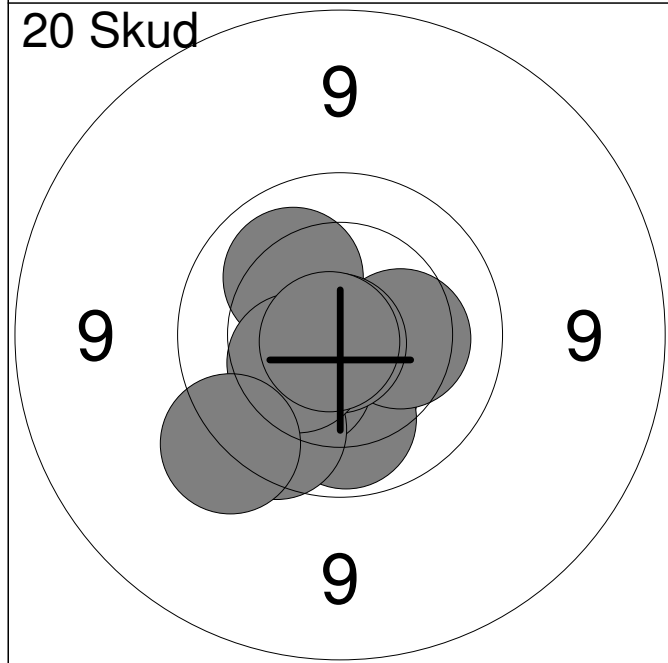
11:	10.4	←
12:	*10.7	←
13:	*10.6	↓
14:	10.3	↗
15:	*10.6	←
16:	10.4	←
17:	10.1	↗
18:	*10.5	↓
19:	*10.8	↗
20:	10.5	↗
Serie		100.0
Total		198.0



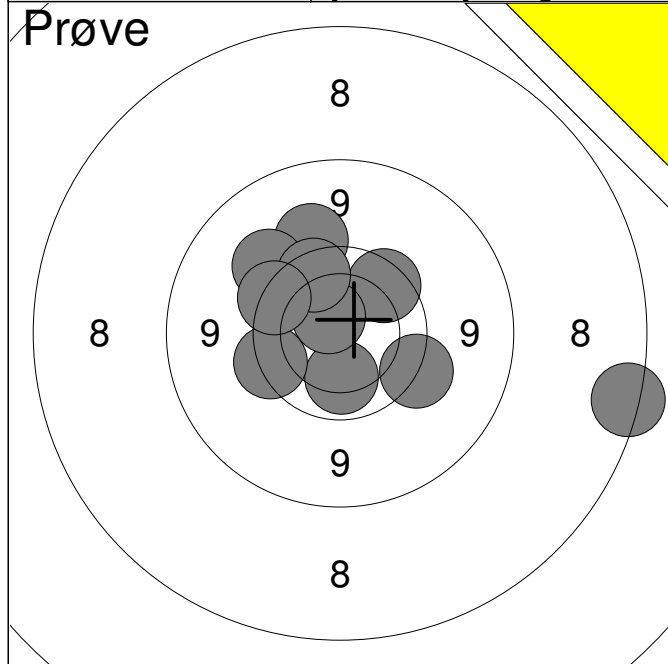
1:	10.2	←
2:	10.1	↓
3:	10.4	←
4:	10.2	↙
5:	*10.8	↑
6:	*10.8	→
7:	9.9	→
8:	9.8	↑
9:	*10.6	↑
10:	*10.6	↗
Serie		98.0
Total		0.0



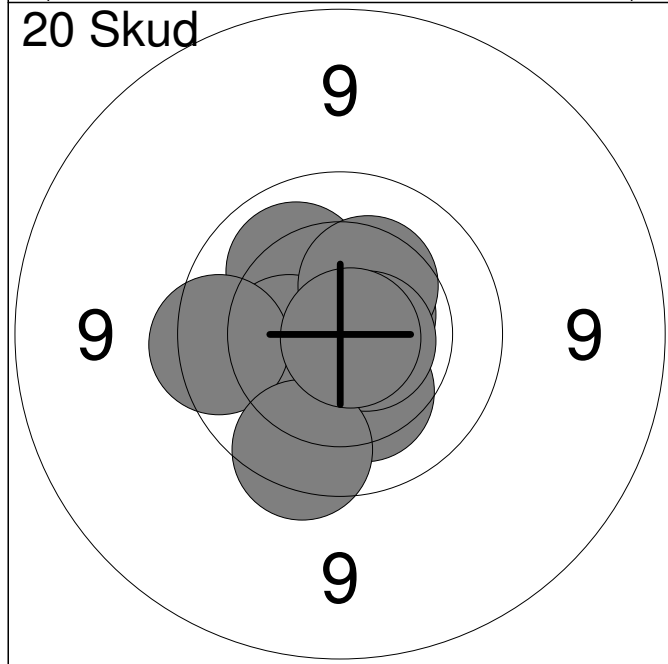
1:	10.1	↗
2:	*10.5	↓
3:	*10.7	→
4:	9.9	↗
5:	*10.6	↘
6:	10.5	↑
7:	*10.6	↑
8:	*10.7	↑
9:	10.5	↑
10:	9.9	↗
Serie		98.0
Total		98.0



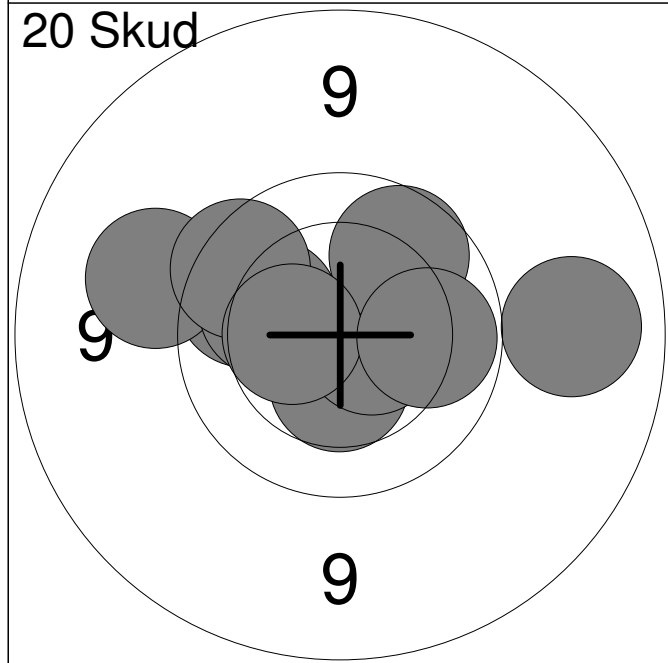
11:	10.4	↓
12:	10.0	↓
13:	10.2	↗
14:	10.3	→
15:	10.3	↙
16:	*10.9	↓
17:	9.8	↙
18:	10.4	↙
19:	9.6	↙
20:	*10.8	↙
Serie		98.0
Total		196.0



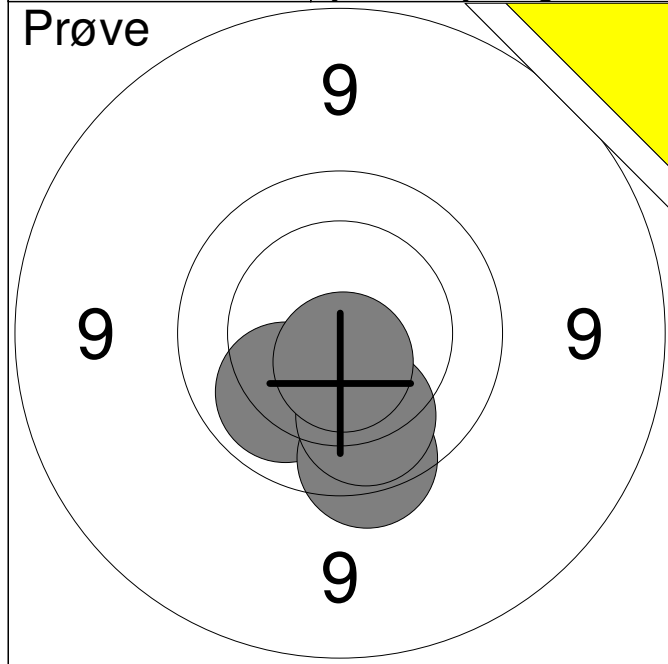
1:	9.5	↘
2:	10.1	↓
3:	9.4	↗
4:	9.4	↗
5:	7.8	→
6:	9.8	↗
7:	*10.5	↗
8:	9.7	←
9:	9.8	↗
10:	9.7	↗
Serie		90.0
Total		0.0



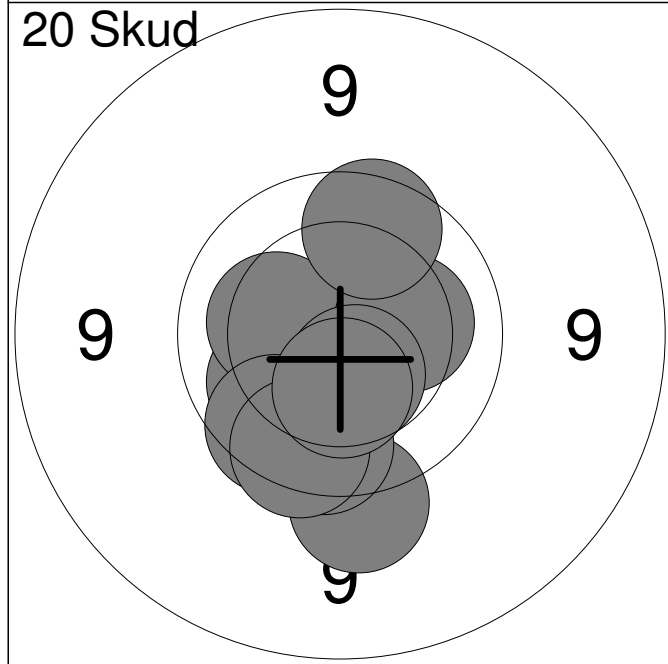
1:	*10.7	↗
2:	10.1	↗
3:	10.4	←
4:	*10.6	↗
5:	9.8	←
6:	10.3	↓
7:	10.3	↗
8:	*10.7	→
9:	9.8	↓
10:	*10.8	→
Serie		98.0
Total		98.0



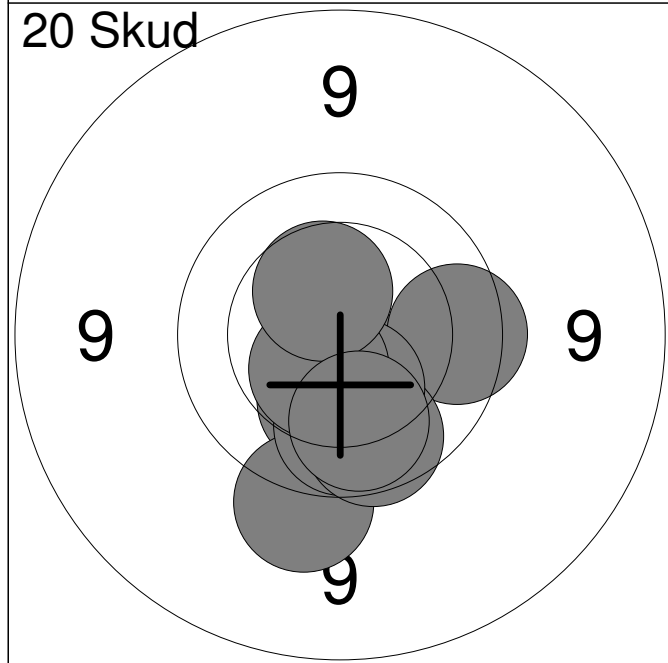
11:	10.4	↓
12:	9.9	↗
13:	*10.6	→
14:	9.1	→
15:	9.3	↖
16:	10.1	↗
17:	9.9	↗
18:	9.8	↗
19:	10.4	←
20:	10.0	→
Serie		95.0
Total		193.0



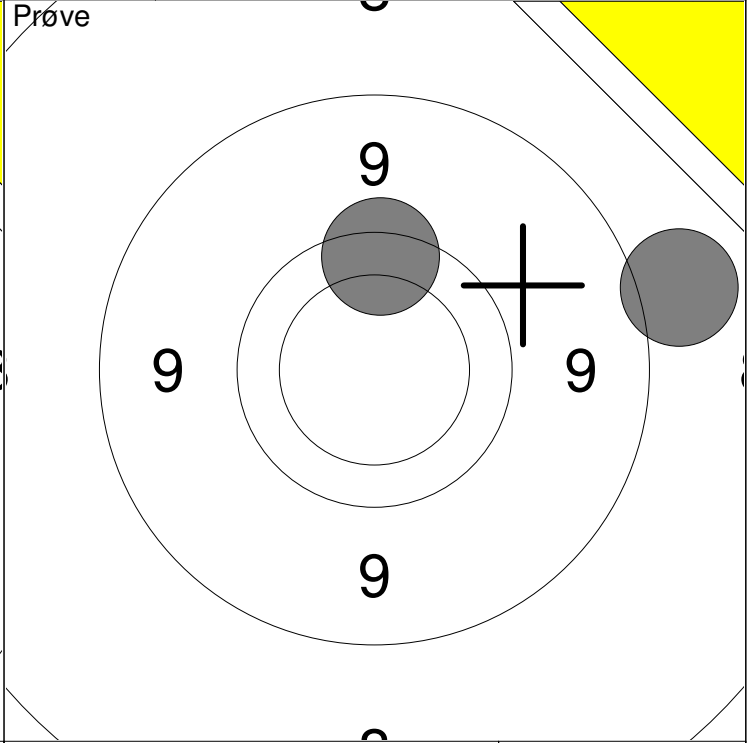
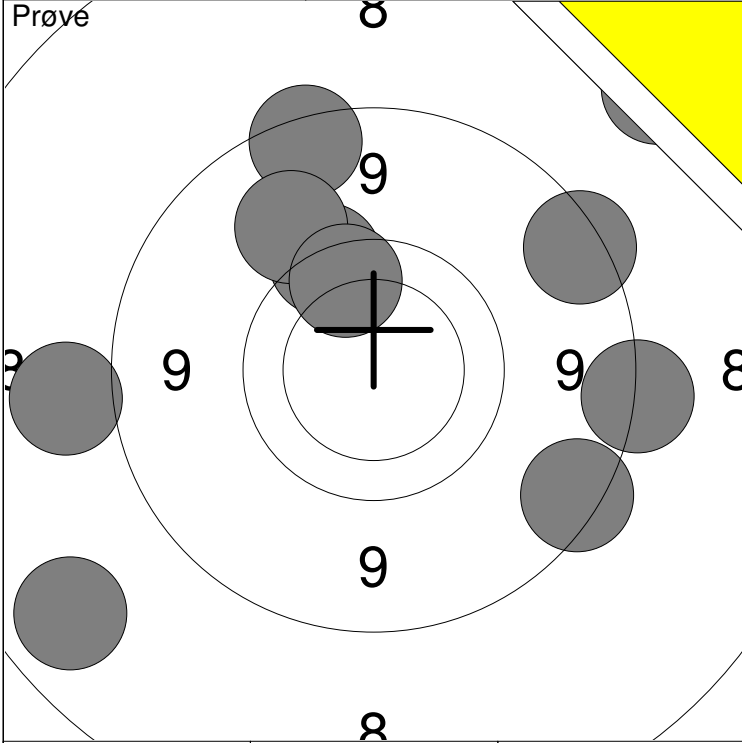
1:	10.1	↙
2:	9.7	↓
3:	10.0	↓
4:	*10.6	↓
Serie		39.0
Total		0.0



1:	10.1	↙
2:	9.5	↓
3:	10.2	↙
4:	10.2	→
5:	9.8	↙
6:	9.8	↑
7:	10.5	↓
8:	9.8	↓
9:	9.8	↙
10:	10.4	↓
Serie		95.0
Total		95.0

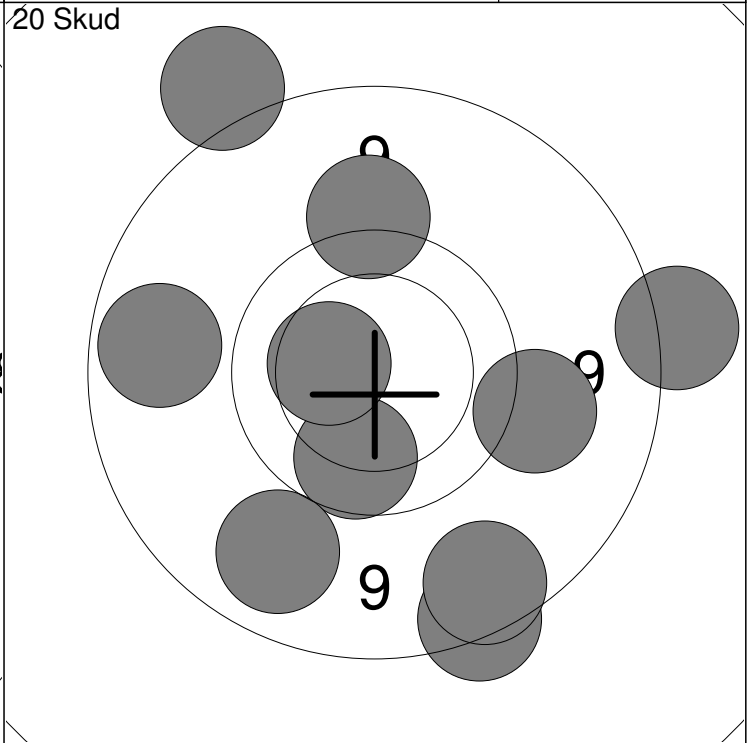
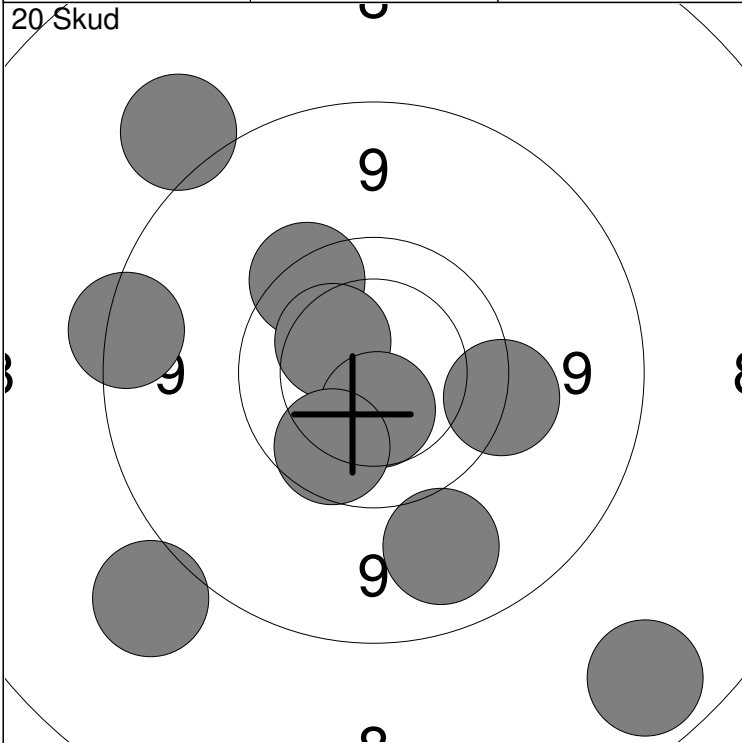


11:	*10.5	↓
12:	9.8	→
13:	10.2	↓
14:	9.5	↓
15:	10.0	↓
16:	9.9	↓
17:	10.4	↓
18:	*10.5	↙
19:	10.4	↑
20:	10.0	↓
Serie		97.0
Total		192.0



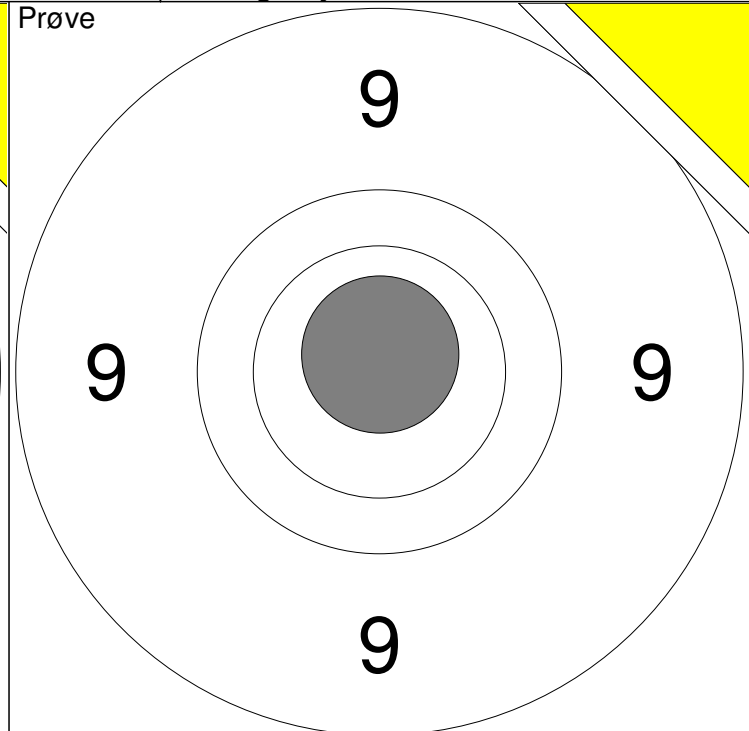
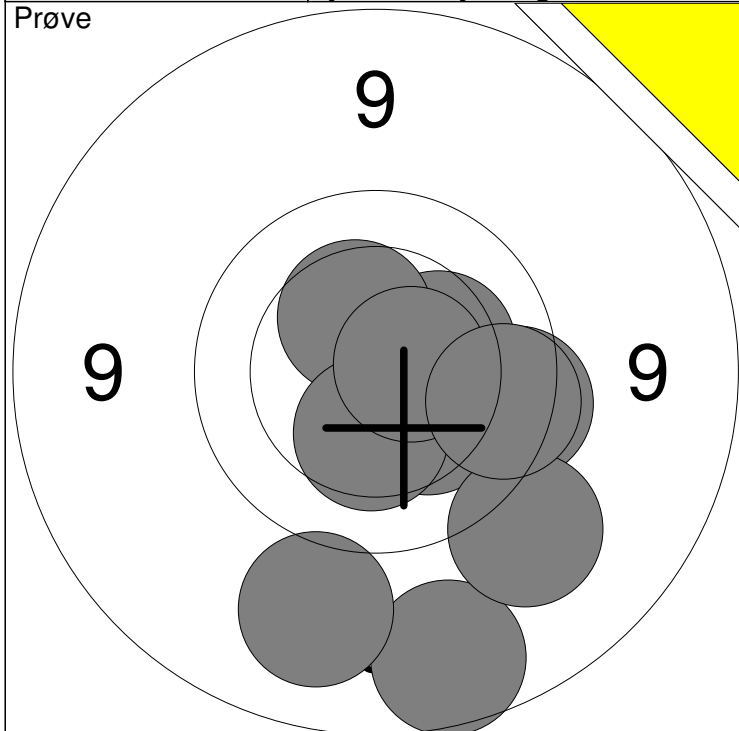
1: 8.0 ↙	6: 9.3 ↗	Serie	83.0
2: 9.6 ↗	7: 8.7 →		
3: 8.0 ↗	8: 8.4 ←	Total	0.0
4: 8.8 ↑	9: 9.8 ↗		
5: 8.8 ↗	10: 8.8 ↘		

11: 9.7 ↑	Serie	17.0
12: 8.5 →		
Total		0.0



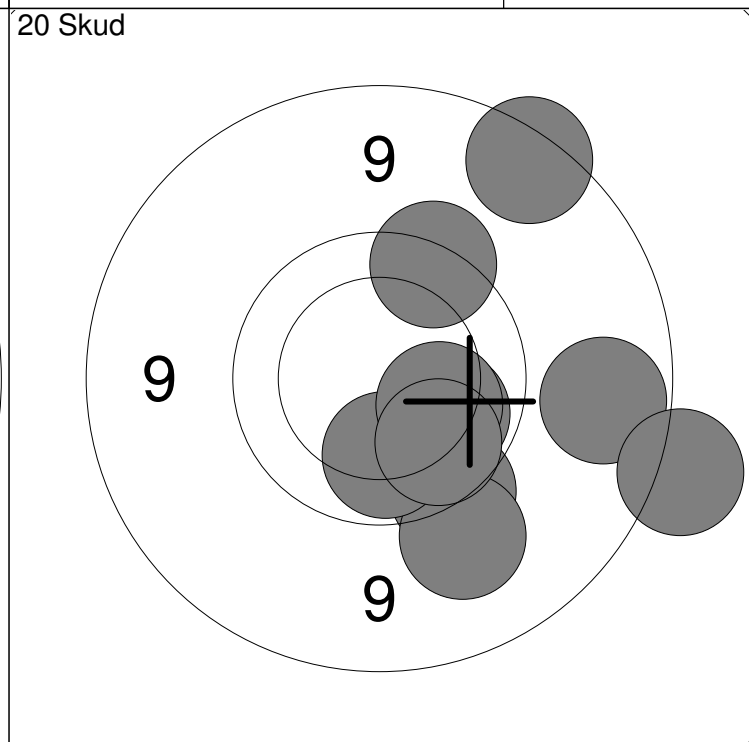
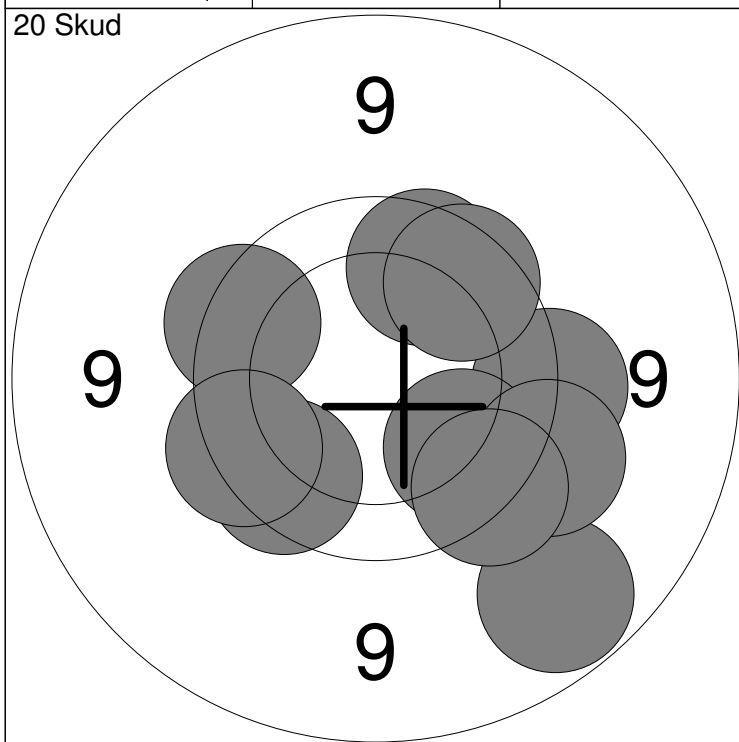
1: 8.8 ←	6: 10.3 ↗	Serie	88.0
2: 9.7 ↗	7: 10.5 ↓		
3: 8.4 ↙	8: 9.9 ↓	Total	88.0
4: 9.1 ↓	9: 8.5 ↗		
5: 8.0 ↓	10: 9.6 →		

11: 8.8 ↓	16: 9.1 ↓	Serie	87.0
12: 8.6 →	17: 10.4 ←		
13: 9.9 ↓	18: 8.9 ↓	Total	175.0
14: 8.5 ↗	19: 9.0 ←		
15: 9.4 →	20: 9.4 ↑		



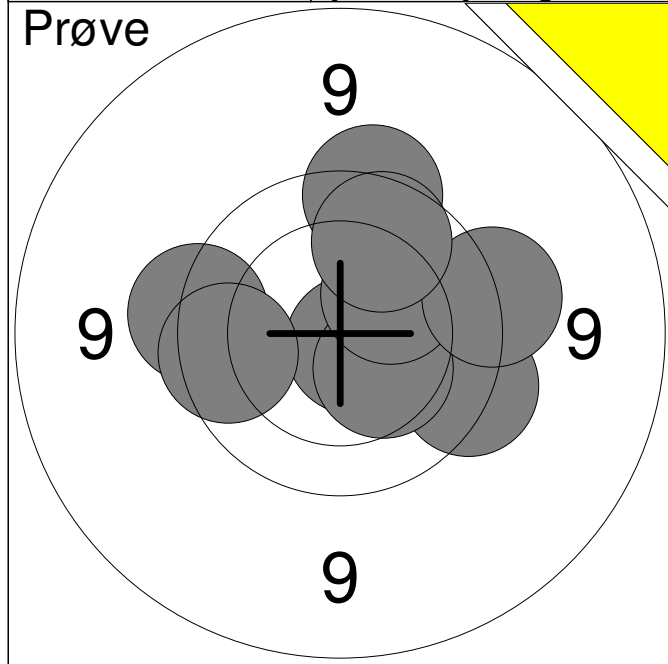
1: 9.7 →	6: *10.6 →	Serie	94.0
2: 10.3 →	7: 8.9 ↓		
3: 10.4 ↑	8: 9.2 ↓	Total	0.0
4: 10.3 ↘	9: 9.3 ↘		
5: 10.4 ↓	10: 9.8 →		

11: *10.8 ↑		Serie	10.0
		Total	0.0

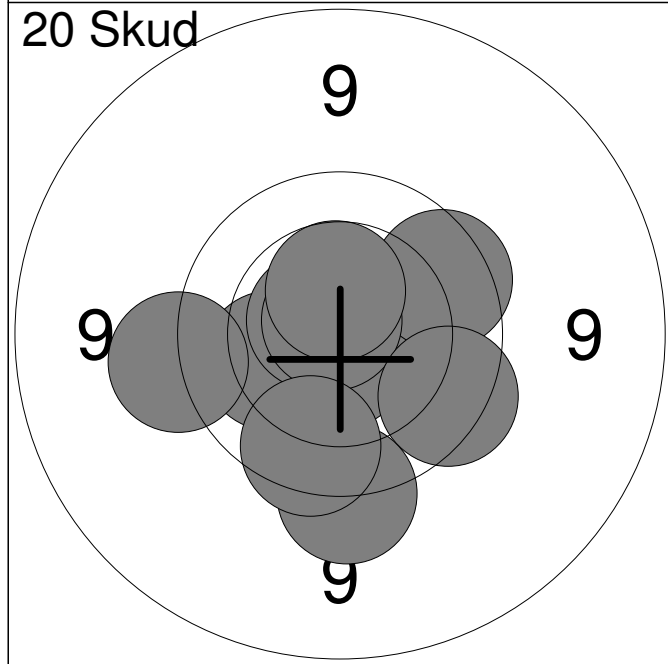


1: 9.6 →	6: 9.9 ↘	Serie	90.0
2: 9.8 ↙	7: 9.5 →		
3: 9.7 ↖	8: 9.9 ↑	Total	90.0
4: 9.0 ↘	9: 9.7 ↘		
5: 9.7 ↖	10: 9.8 ↗		

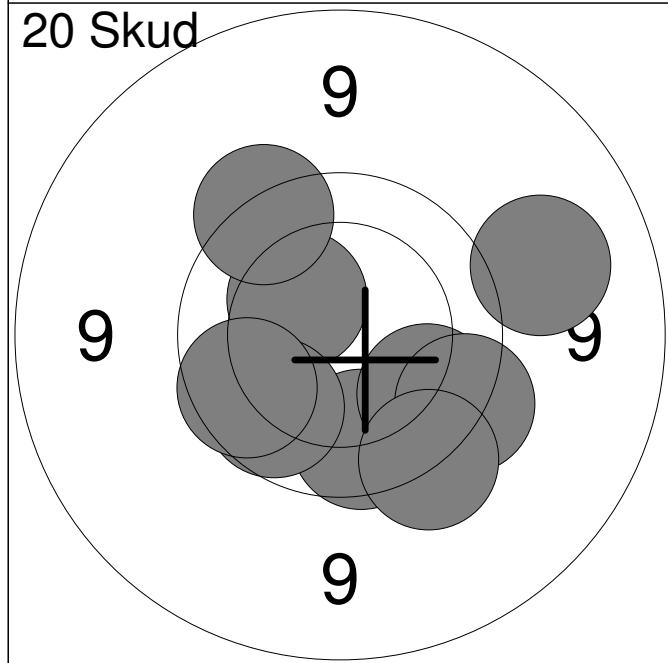
11: 9.6 ↘	16: 9.0 →	Serie	91.0
12: 10.0 →	17: 8.6 →		
13: 9.3 ↘	18: 10.2 →	Total	181.0
14: 10.0 ↓	19: 9.7 ↑		
15: 8.8 ↗	20: 9.9 ↘		



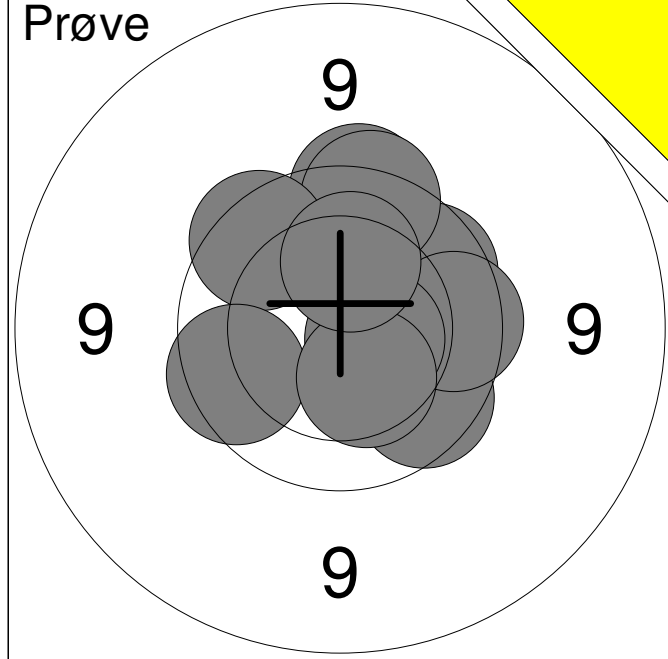
1:	9.6	↑
2:	9.6	←
3:	*10.7	↘
4:	9.7	→
5:	10.3	↘
6:	9.8	←
7:	10.3	↗
8:	9.6	→
9:	9.9	↑
Serie		84.0
Total		0.0



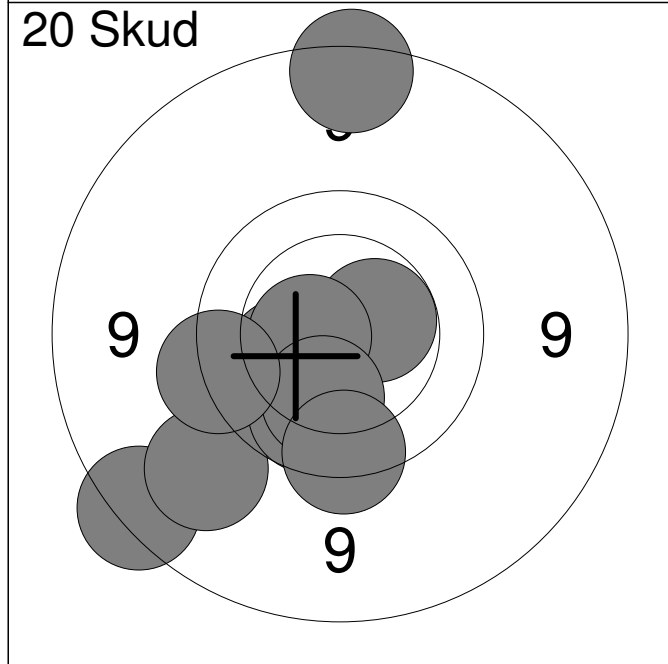
1:	*10.7	↓
2:	10.2	←
3:	9.8	↗
4:	9.5	↓
5:	*10.7	↗
6:	*10.8	↗
7:	9.5	←
8:	9.8	↘
9:	10.5	↑
10:	9.8	↓
Serie		95.0
Total		95.0



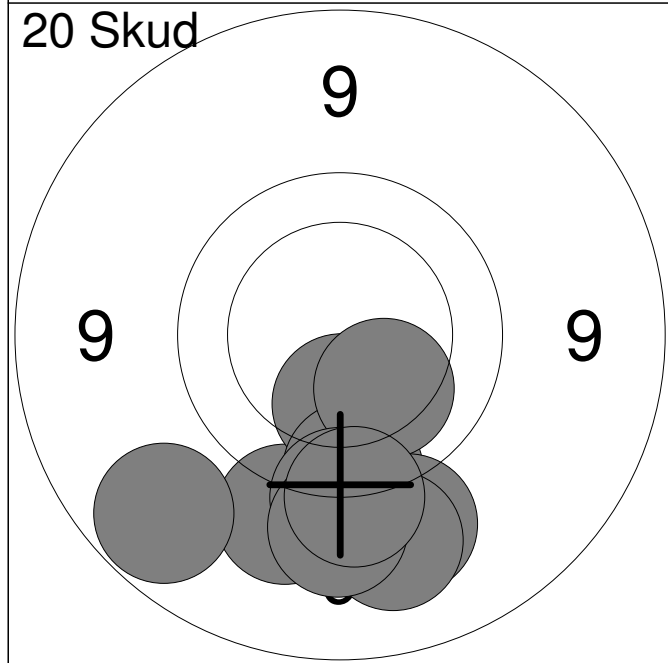
11:	9.8	↘
12:	9.9	↓
13:	10.3	↗
14:	9.9	↘
15:	9.6	↗
16:	9.9	↘
17:	9.9	←
18:	9.2	→
19:	9.6	↘
20:	9.6	↘
Serie		91.0
Total		186.0



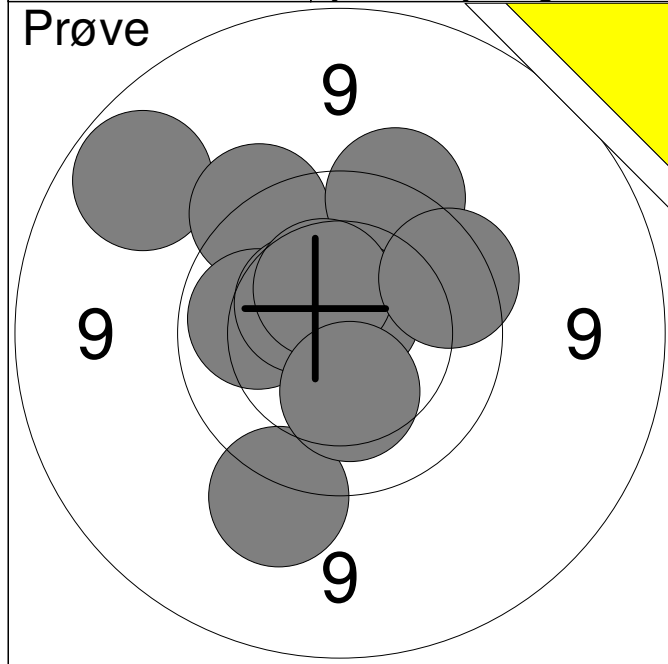
1:	9.8	↘
2:	9.7	↑
3:	9.9	↗
4:	9.8	→
5:	9.7	↑
6:	9.8	↗
7:	9.8	↖
8:	*10.6	→
9:	10.3	↘
10:	10.2	↑
Serie		93.0
Total		0.0



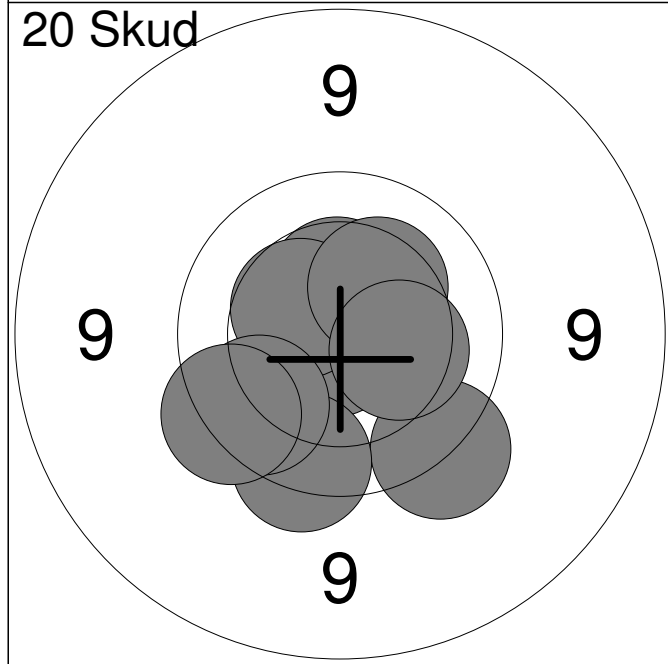
1:	*10.5	↗
2:	8.8	↖
3:	9.2	↖
4:	10.2	↖
5:	9.9	↘
6:	8.8	↑
7:	*10.6	↖
8:	10.1	↘
9:	9.6	↖
10:	9.7	↓
Serie		92.0
Total		92.0



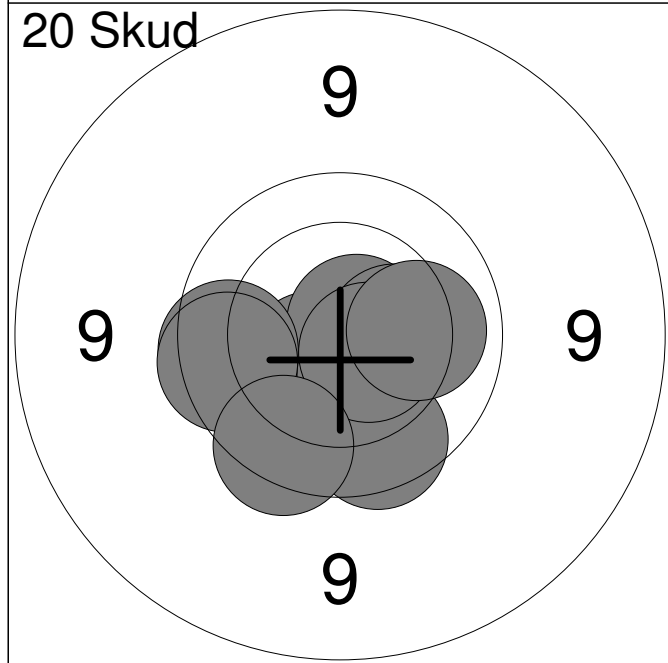
11:	9.4	↘
12:	10.2	↓
13:	9.0	↖
14:	9.7	↓
15:	10.2	↘
16:	9.3	↘
17:	9.5	↓
18:	9.2	↘
19:	9.3	↓
20:	9.5	↓
Serie		92.0
Total		184.0



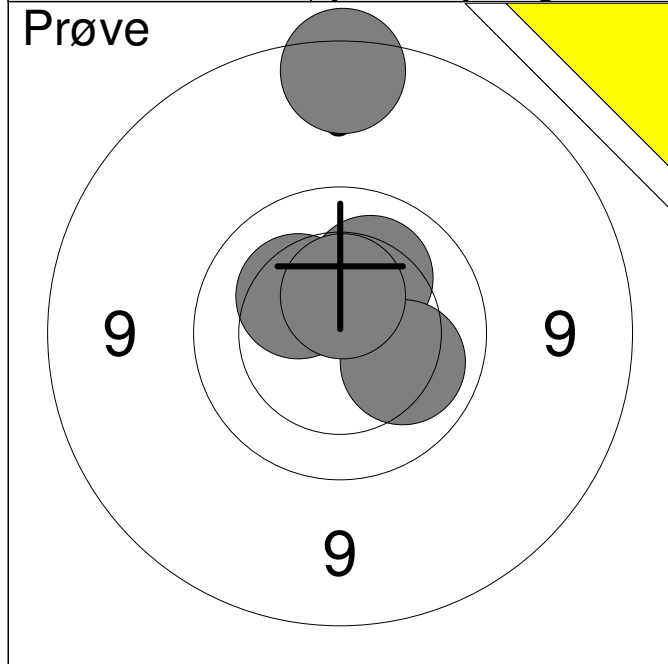
1:	9.0	↗
2:	9.6	↗
3:	10.0	←
4:	9.4	↘
5:	9.6	↗
6:	*10.7	↗
7:	10.4	↗
8:	10.4	↗
9:	10.3	↘
10:	9.8	↗
Serie		95.0
Total		0.0



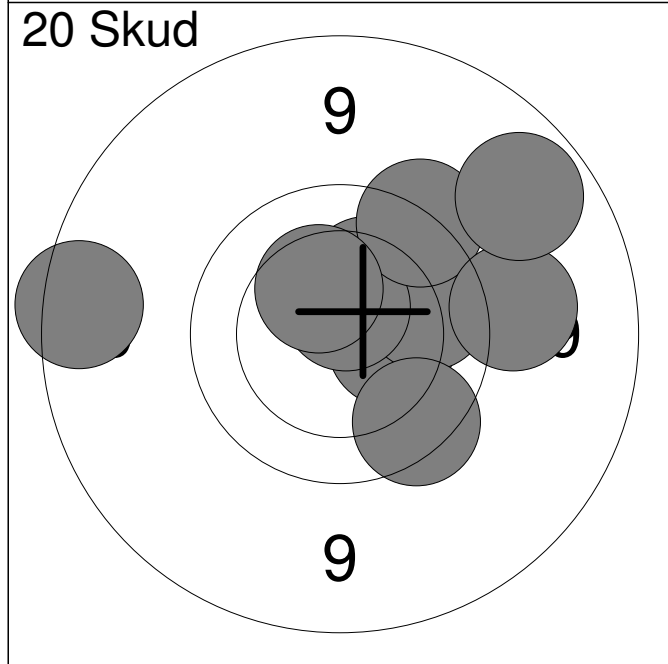
1:	*10.7	↗
2:	10.4	↑
3:	*10.8	↘
4:	10.4	↗
5:	10.3	↗
6:	9.6	↘
7:	9.7	↘
8:	9.9	↙
9:	9.7	↙
10:	10.3	→
Serie		96.0
Total		96.0



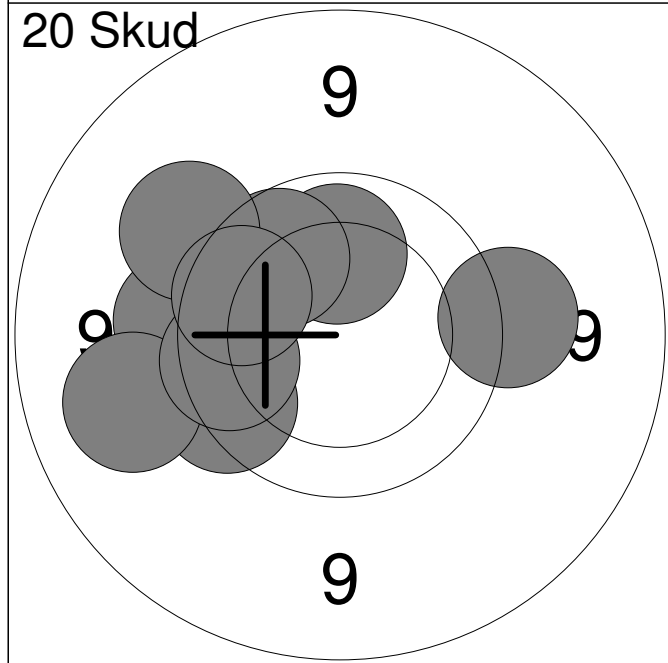
11:	*10.5	↙
12:	*10.7	↗
13:	10.4	↘
14:	9.8	←
15:	10.4	→
16:	9.8	←
17:	9.8	↘
18:	*10.6	↘
19:	10.1	→
20:	9.8	↙
Serie		96.0
Total		192.0



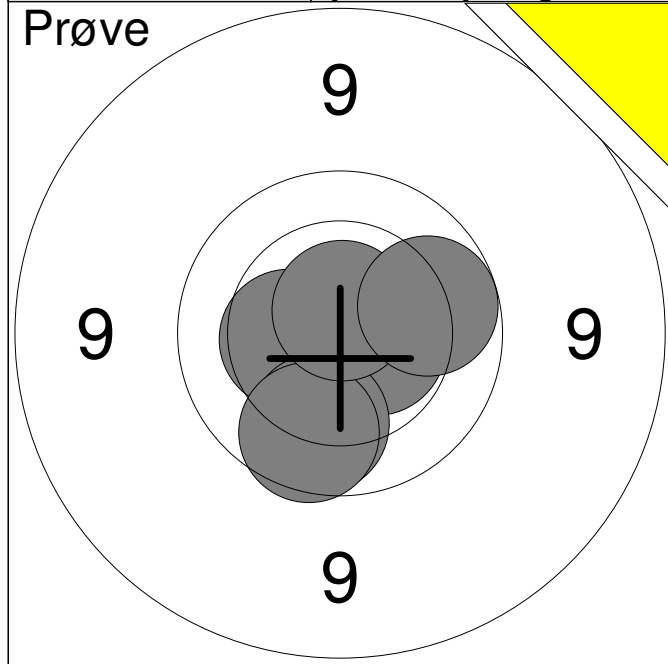
1:	8.8	↑
2:	10.2	↗
3:	10.3	↖
4:	10.1	→
5:	*10.5	↑
Serie		48.0
Total		0.0



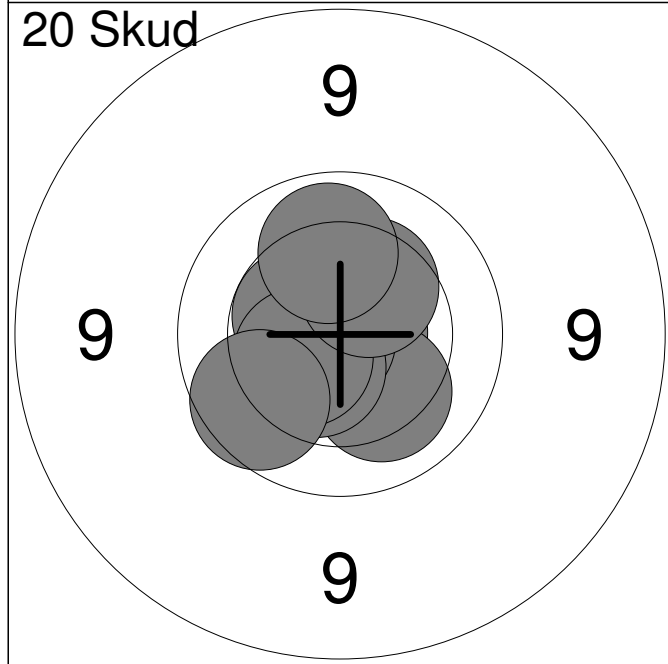
1:	10.2	↗
2:	10.3	→
3:	9.9	→
4:	*10.6	↑
5:	9.6	↗
6:	9.7	↘
7:	10.4	↑
8:	8.8	←
9:	9.3	→
10:	9.0	↗
Serie		93.0
Total		93.0



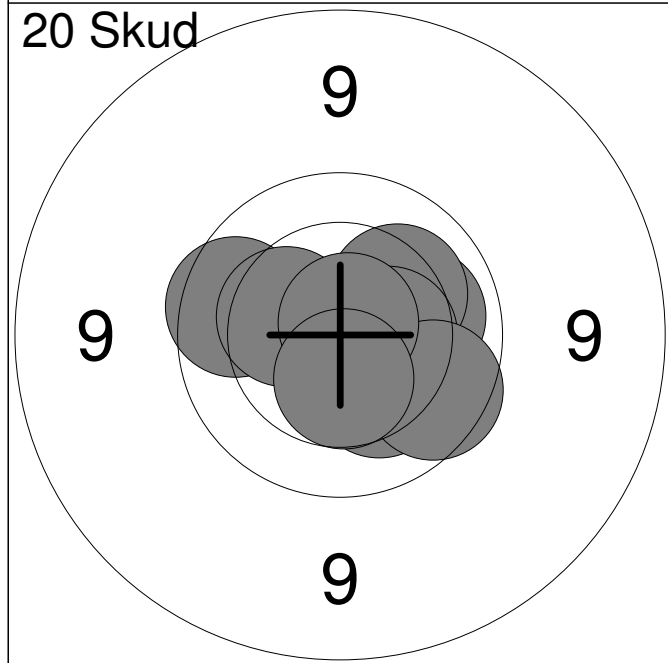
11:	9.7	←
12:	9.6	←
13:	9.5	→
14:	9.7	↖
15:	10.1	↑
16:	9.9	↗
17:	9.4	↗
18:	9.2	←
19:	9.8	←
20:	9.9	↖
Serie		91.0
Total		184.0



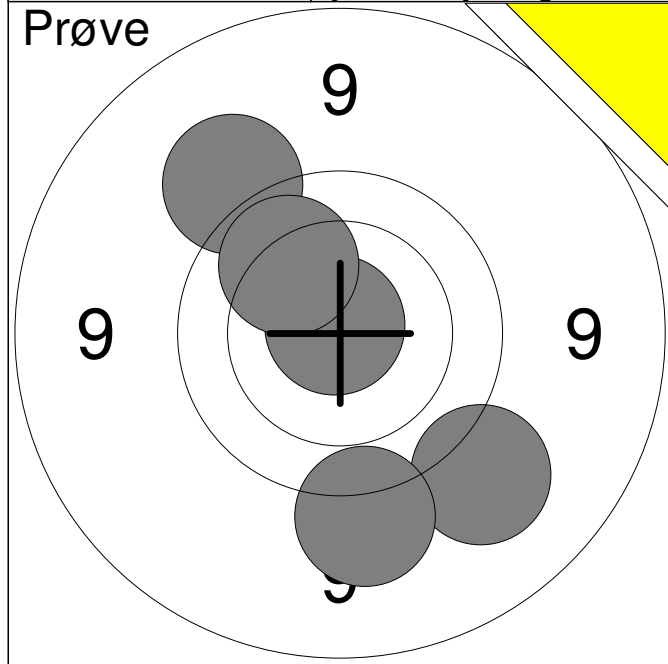
1:	*10.5	→
2:	10.4	←
3:	9.9	↓
4:	9.9	↓
5:	*10.7	↑
6:	10.0	→
Serie		58.0
Total		0.0



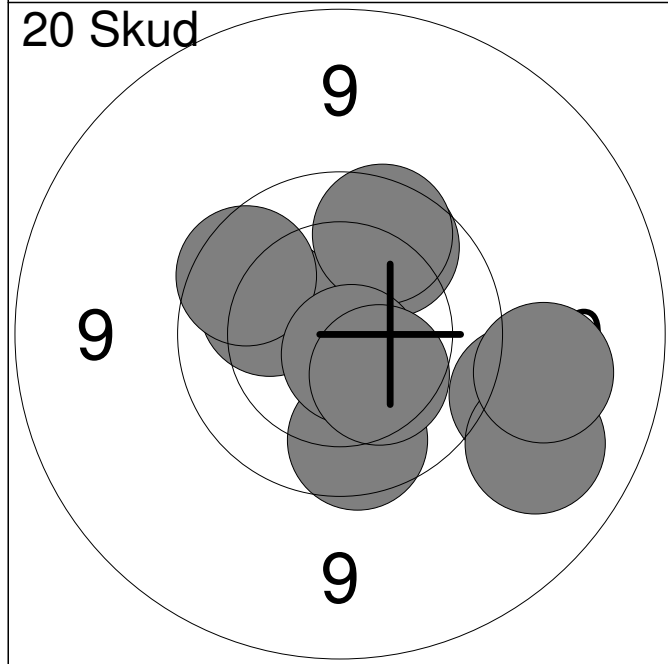
1:	*10.8	→
2:	10.2	↓
3:	10.4	↑
4:	*10.5	←
5:	*10.8	←
6:	*10.5	↓
7:	10.5	←
8:	10.4	↗
9:	10.1	↑
10:	9.9	↙
Serie		99.0
Total		99.0



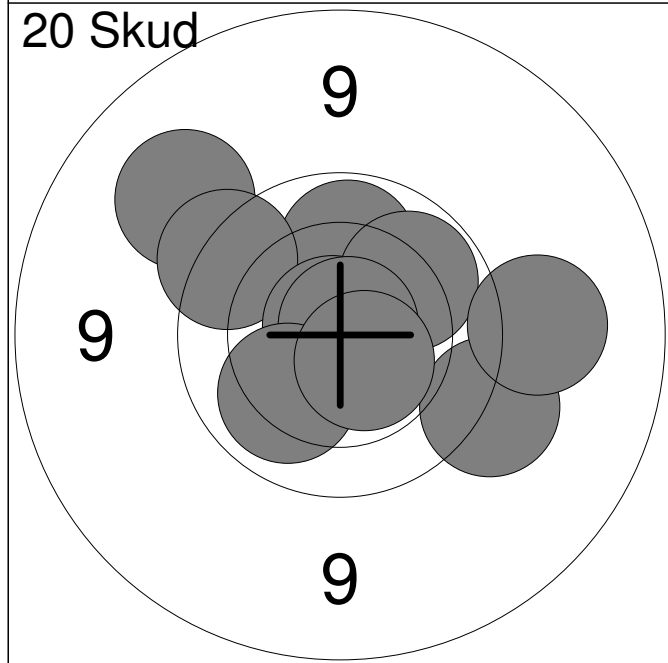
11:	9.9	←
12:	10.3	←
13:	10.1	→
14:	10.4	→
15:	10.2	↗
16:	10.2	↓
17:	10.4	→
18:	9.9	↘
19:	*10.8	↗
20:	10.5	↓
Serie		98.0
Total		197.0



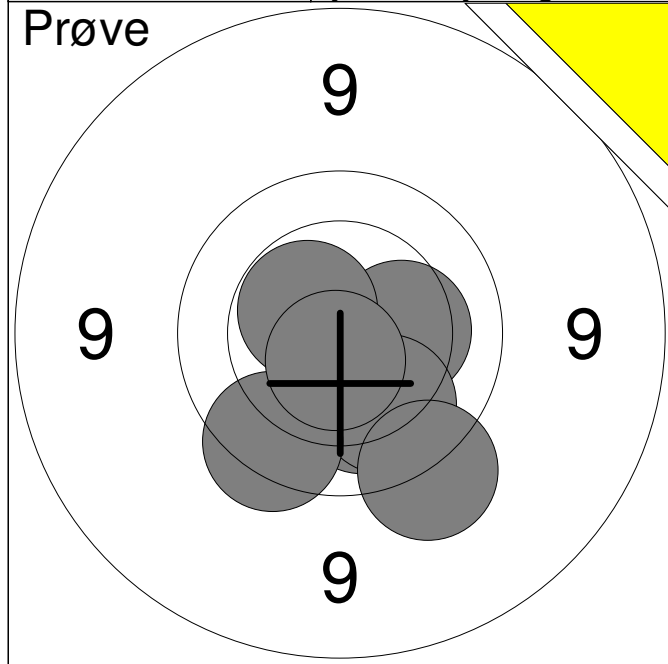
	1:	*10.8	↗
	2:	9.4	↗
	3:	10.0	↗
	4:	9.3	↘
	5:	9.4	↘
Serie			47.0
Total			0.0



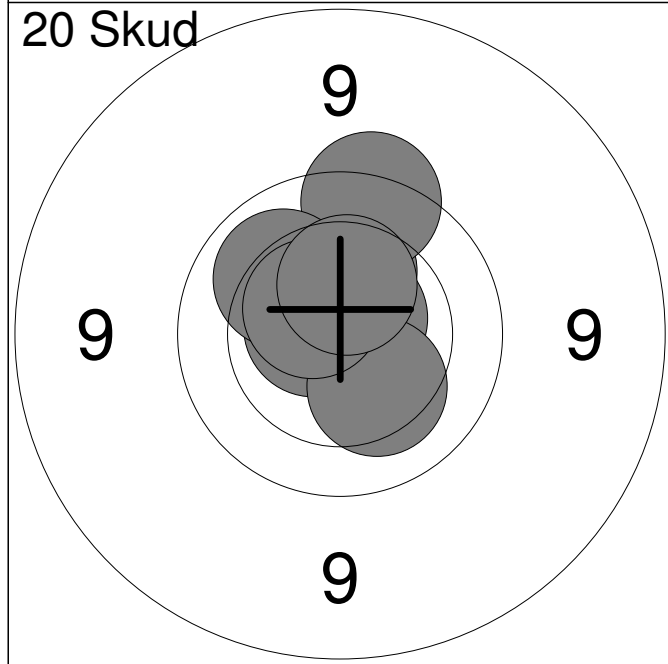
	1:	9.9	↗
	2:	9.4	↘
	3:	10.1	↗
	4:	9.9	↗
	5:	9.8	↗
	6:	9.9	↘
	7:	*10.7	↘
	8:	10.3	↘
	9:	9.1	↘
	10:	9.2	→
Serie			93.0
Total			93.0



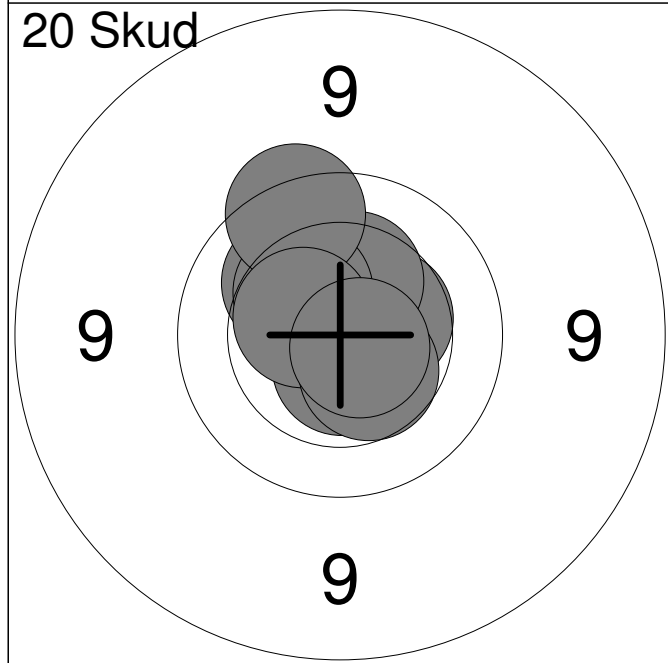
	11:	10.0	↑
	12:	9.5	↘
	13:	9.3	↗
	14:	9.7	↗
	15:	*10.8	↗
	16:	10.0	↗
	17:	*10.8	↗
	18:	10.1	↘
	19:	*10.6	↘
	20:	9.3	→
Serie			96.0
Total			189.0



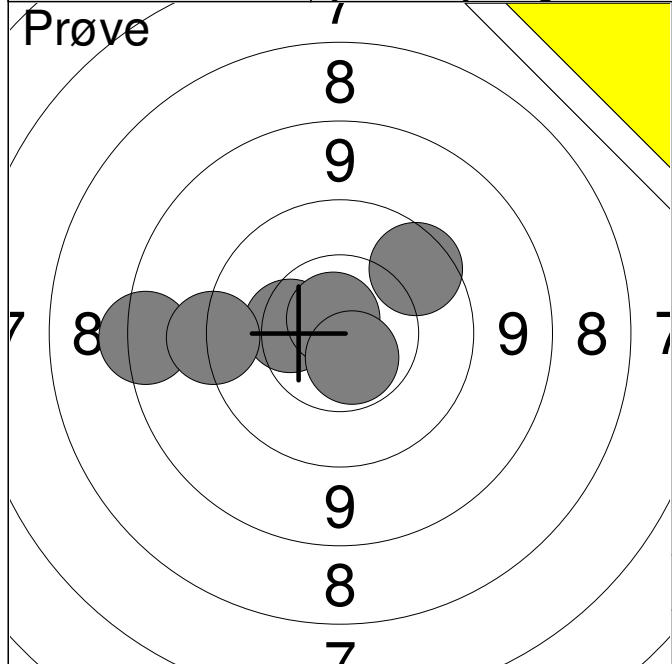
1:	10.3	→
2:	10.2	↓
3:	10.0	↓
4:	9.5	↓
5:	*10.5	↑
6:	9.7	↓
7:	*10.6	↓
Serie		68.0
Total		0.0



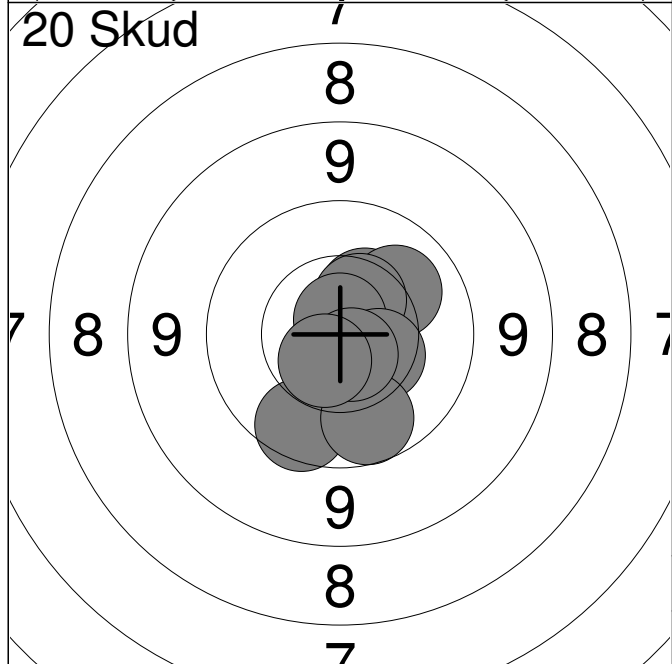
1:	10.3	↑
2:	*10.7	←
3:	*10.5	↑
4:	*10.6	↑
5:	9.7	↑
6:	10.1	↑
7:	*10.7	↑
8:	10.3	↓
9:	*10.5	↑
10:	10.4	↑
Serie		99.0
Total		99.0



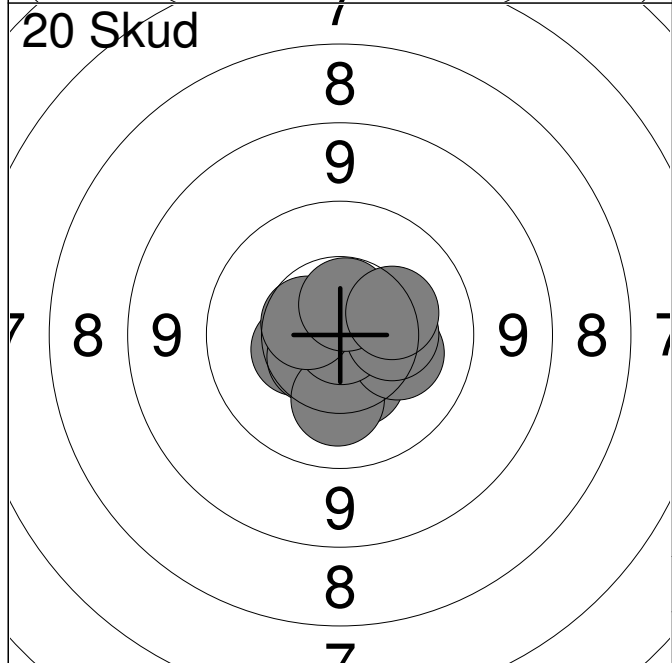
11:	10.5	→
12:	*10.9	←
13:	10.3	↑
14:	10.2	↑
15:	*10.6	↓
16:	10.3	↑
17:	9.7	↑
18:	*10.5	↑
19:	10.5	↓
20:	*10.7	↓
Serie		99.0
Total		198.0



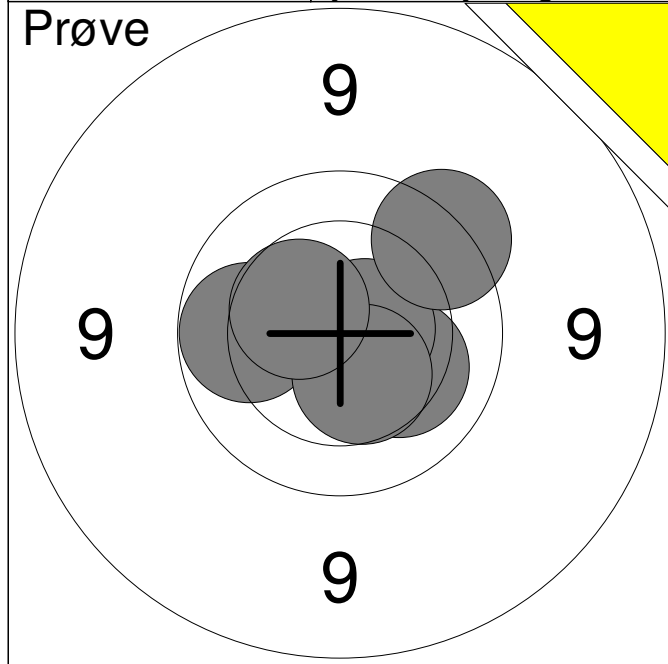
	1:	10.4	←
	2:	8.6	←
	3:	9.4	←
	4:	9.8	↗
	5:	*10.8	↗
	6:	*10.6	↘
Serie			56.0
Total			0.0



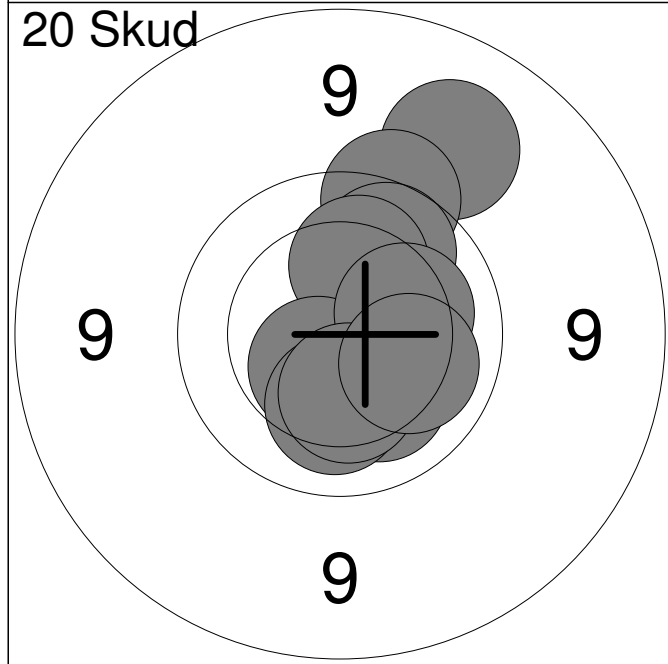
	1:	10.4	↗
	2:	*10.9	↘
	3:	10.1	↗
	4:	10.5	↗
	5:	*10.8	↑
	6:	9.8	↘
	7:	10.4	↘
	8:	9.9	↘
	9:	*10.7	↘
	10:	*10.6	↘
Serie			98.0
Total			98.0



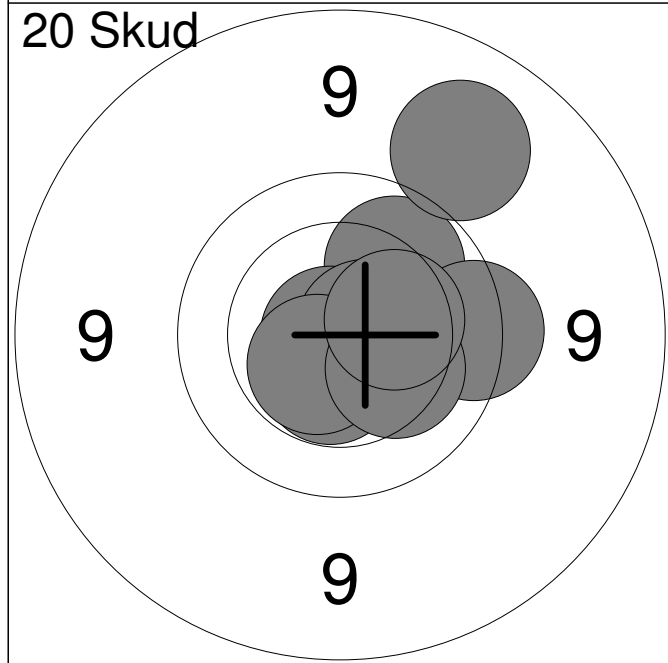
	11:	10.4	↘
	12:	10.4	←
	13:	10.6	←
	14:	10.2	↓
	15:	10.3	→
	16:	*10.9	↘
	17:	10.3	→
	18:	10.5	←
	19:	*10.6	↑
	20:	10.3	↗
Serie			100.0
Total			198.0



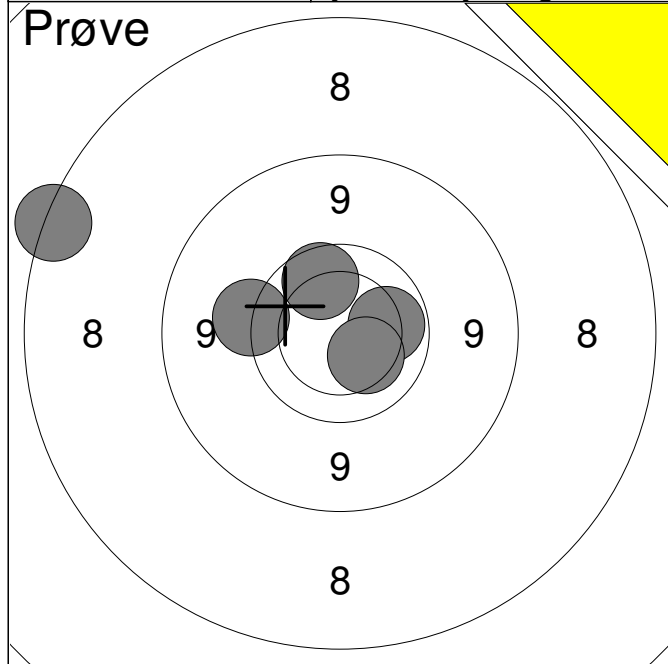
1:	10.2	↘
2:	*10.7	→
3:	10.0	←
4:	10.5	↓
5:	9.7	↗
6:	10.4	↖
Serie		59.0
Total		0.0



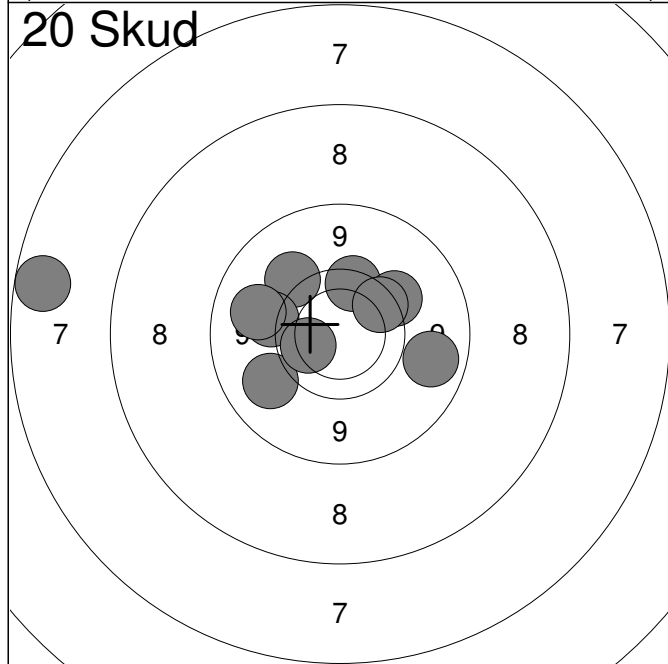
1:	9.2	↗
2:	9.6	↑
3:	9.9	↗
4:	10.2	↑
5:	10.2	↓
6:	*10.5	↙
7:	10.2	↓
8:	10.2	→
9:	10.3	↓
10:	10.1	↘
Serie		97.0
Total		97.0



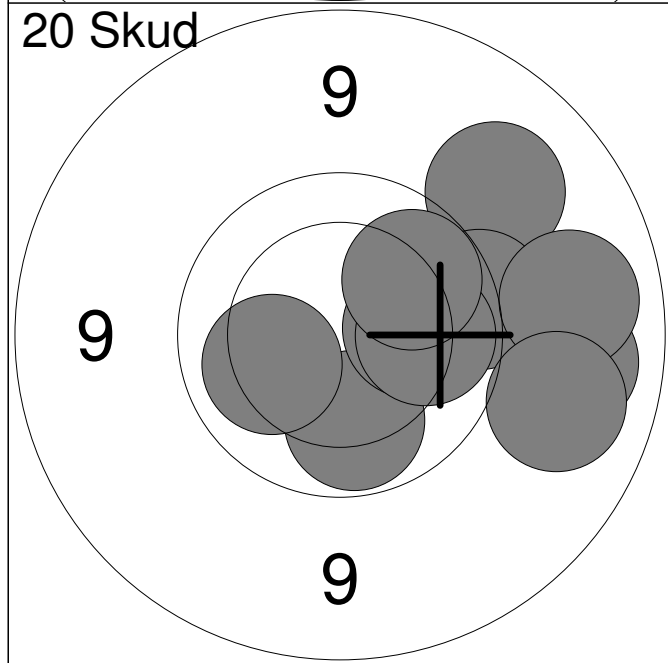
11:	10.0	↗
12:	*10.6	→
13:	*10.8	←
14:	*10.5	↓
15:	9.7	→
16:	*10.7	→
17:	*10.5	↙
18:	10.3	↘
19:	9.2	↗
20:	10.3	→
Serie		98.0
Total		195.0



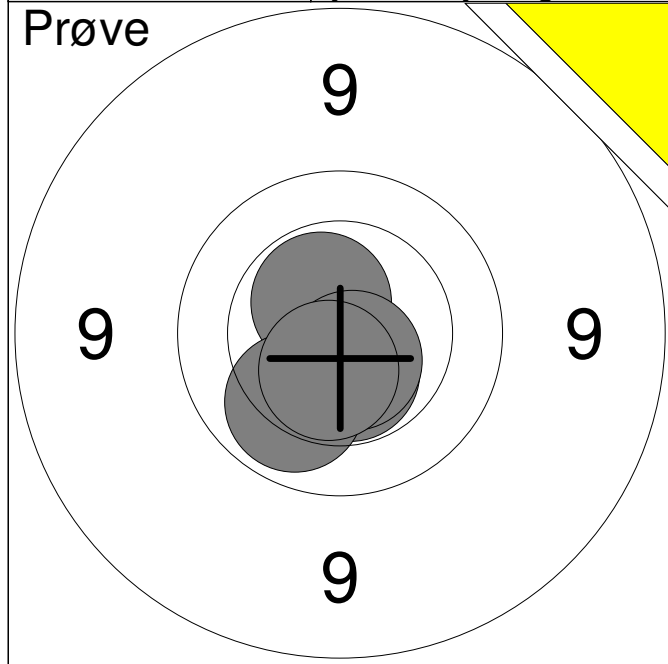
1:	9.9	↑
2:	7.7	↖
3:	10.0	→
4:	10.3	↘
5:	9.5	←
Serie		45.0
Total		0.0



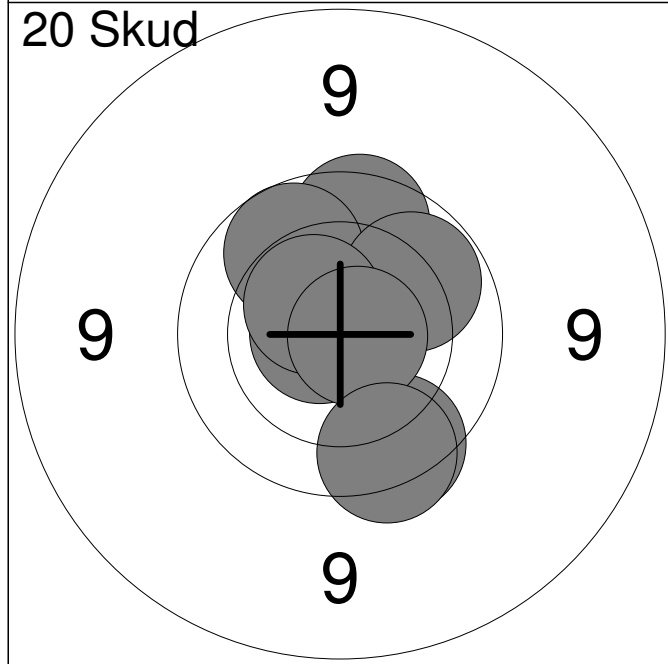
1:	9.4	↖
2:	9.7	↑
3:	9.4	↖
4:	9.2	↖
5:	7.0	←
6:	9.2	↖
7:	9.5	↗
8:	10.0	↖
9:	9.8	↗
10:	9.1	→
Serie		89.0
Total		89.0



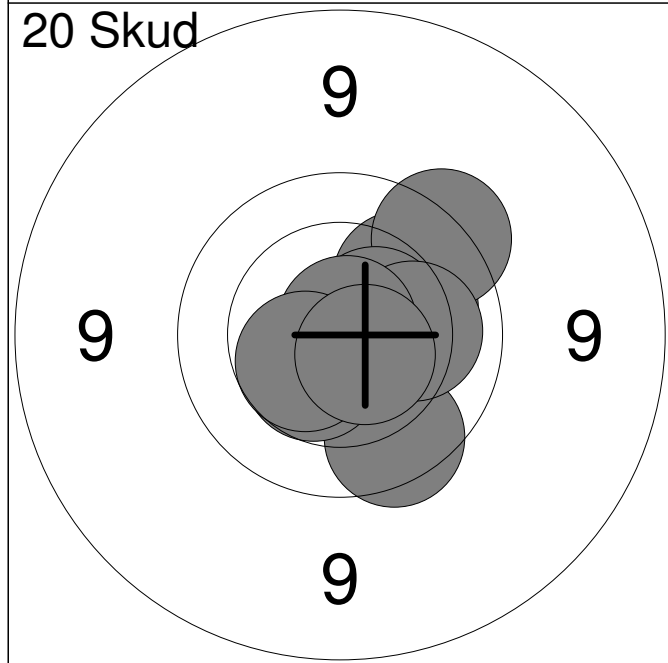
11:	9.2	↗
12:	9.1	→
13:	10.0	↓
14:	9.6	→
15:	10.2	→
16:	10.0	→
17:	10.1	↖
18:	9.1	→
19:	10.0	↗
20:	9.1	→
Serie		95.0
Total		184.0



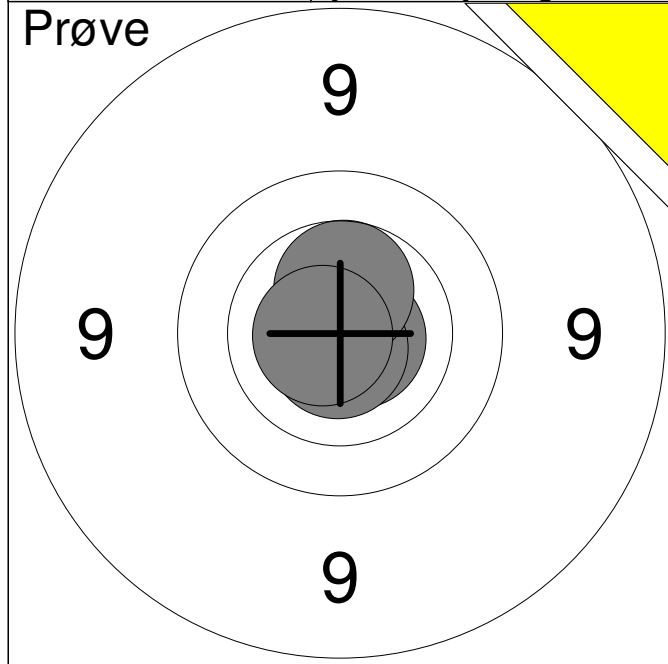
1:	*10.5	↓
2:	*10.6	↗
3:	10.1	↙
4:	*10.6	↓
5:	*10.5	↓
Serie		50.0
Total		0.0



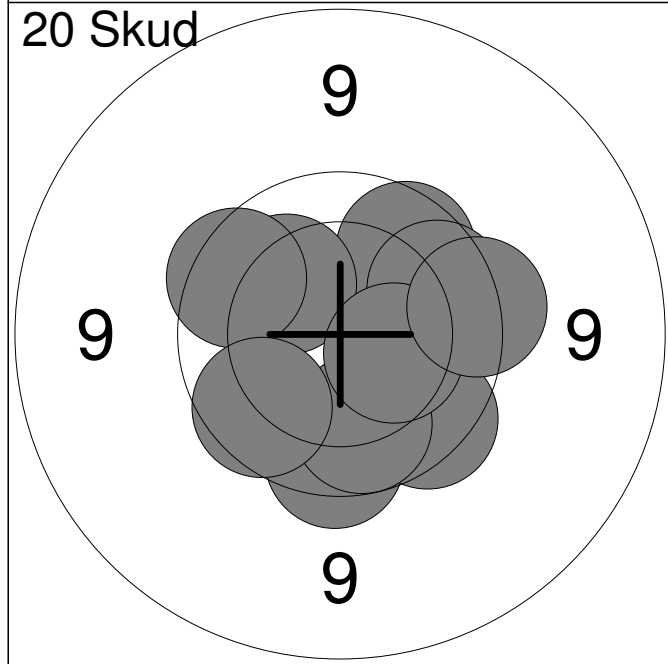
1:	10.3	↗
2:	10.4	↗
3:	9.8	↗
4:	9.9	↗
5:	*10.7	←
6:	10.0	↗
7:	9.8	↓
8:	*10.5	↗
9:	*10.8	→
10:	9.7	↓
Serie		96.0
Total		96.0



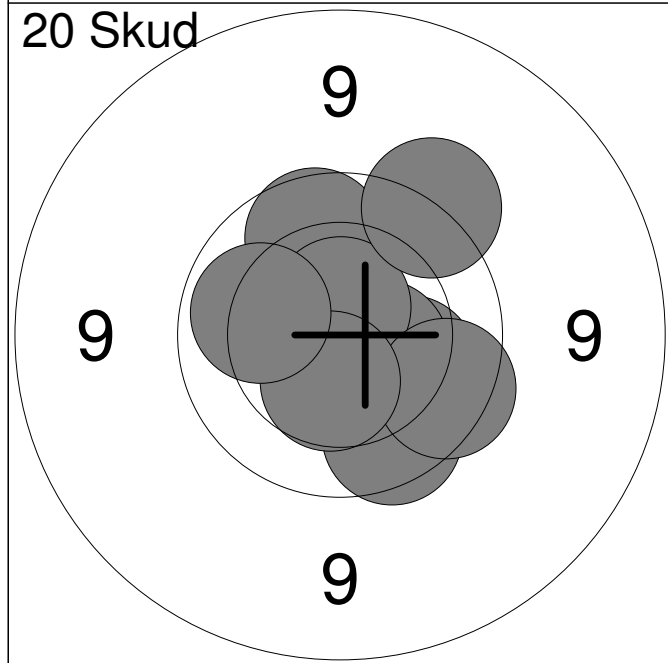
11:	9.8	↓
12:	10.2	→
13:	10.0	↗
14:	9.7	↗
15:	*10.5	↗
16:	10.2	→
17:	10.5	↙
18:	*10.8	↗
19:	10.5	↙
20:	*10.6	↘
Serie		98.0
Total		194.0



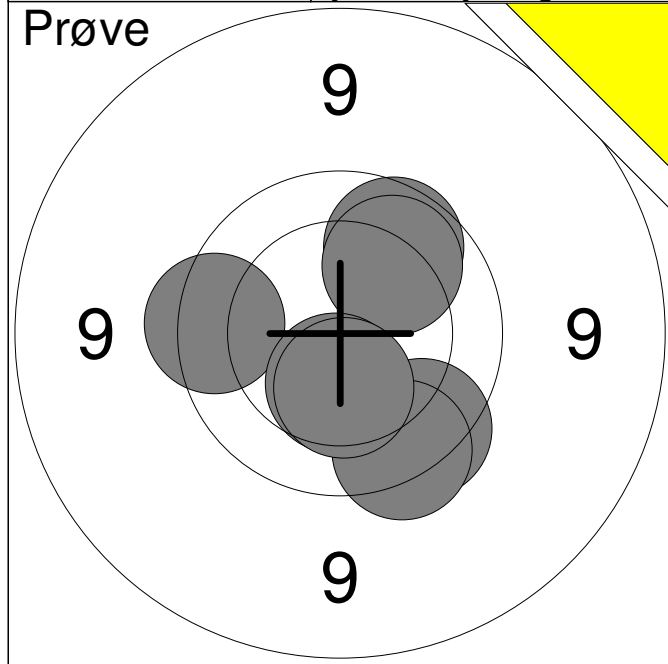
	1:	*10.8	→
	2:	*10.8	↓
	3:	10.5	↑
	4:	*10.8	←
Serie			40.0
Total			0.0



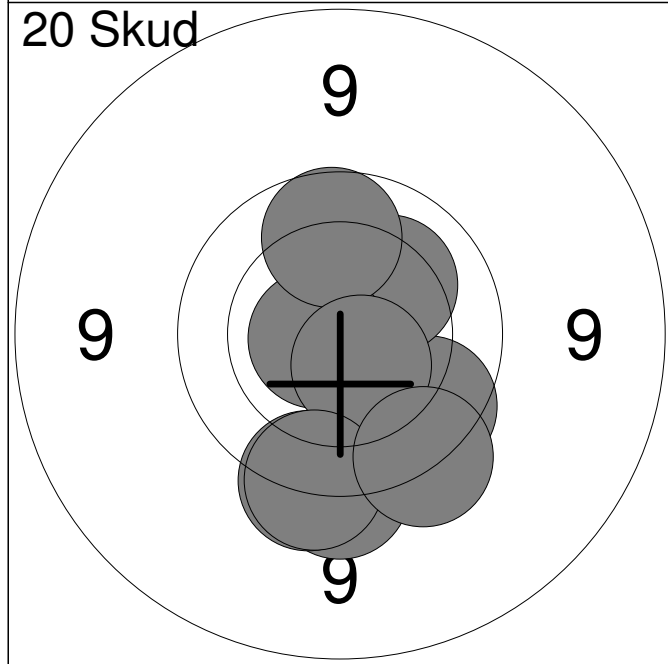
	1:	9.8	↓
	2:	9.8	↘
	3:	9.9	↗
	4:	10.2	↗
	5:	9.9	→
	6:	10.0	↓
	7:	10.3	→
	8:	9.8	↗
	9:	9.9	↙
	10:	9.7	→
Serie			93.0
Total			93.0



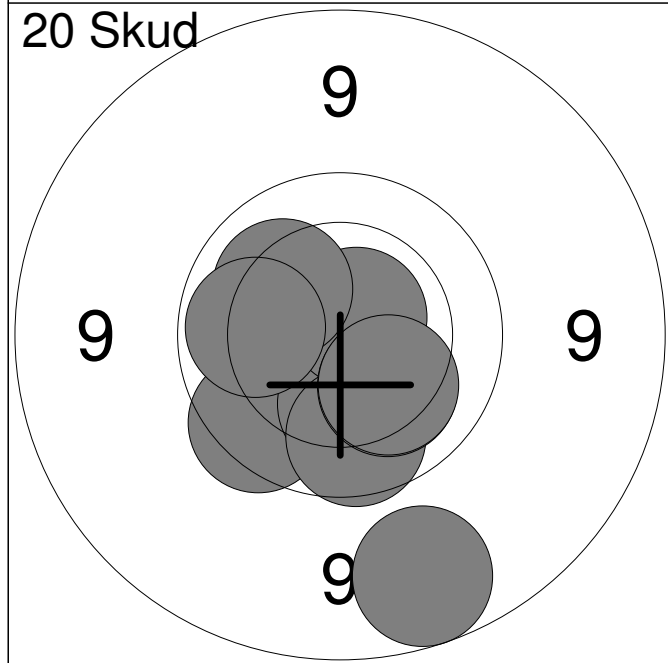
	11:	9.9	↑
	12:	10.1	→
	13:	*10.6	↘
	14:	9.8	↓
	15:	*10.5	→
	16:	*10.6	↑
	17:	9.8	→
	18:	10.4	↓
	19:	10.1	←
	20:	9.6	↗
Serie			96.0
Total			189.0



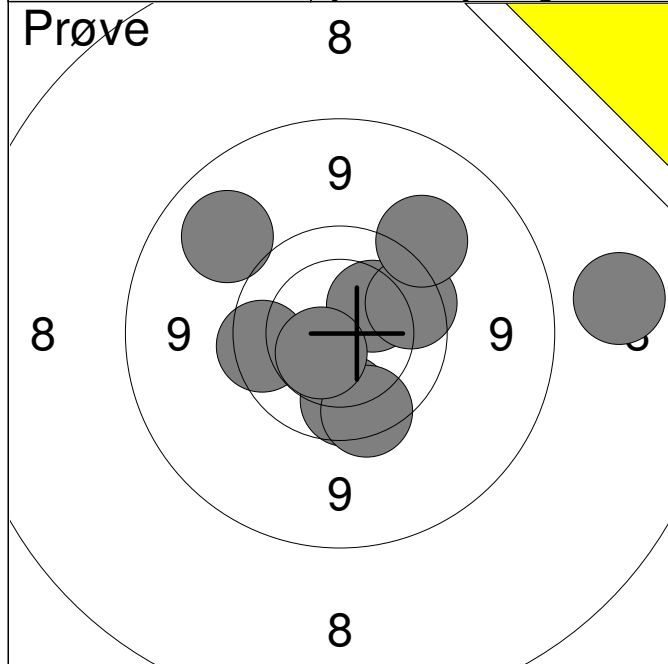
1:	9.7	←
2:	9.7	↘
3:	9.9	↗
4:	10.0	↗
5:	9.7	↘
6:	10.4	↘
7:	10.4	↘
Serie		66.0
Total		0.0



1:	9.6	↘
2:	*10.8	→
3:	9.6	↘
4:	9.8	↘
5:	10.2	↗
6:	*10.7	←
7:	9.9	↑
8:	*10.5	↘
9:	9.6	↘
10:	9.6	↘
Serie		94.0
Total		94.0

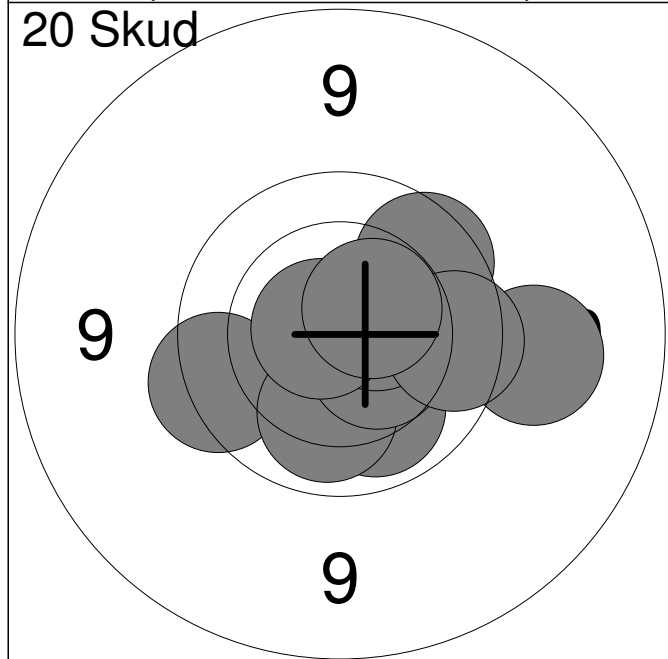


11:	9.8	↙
12:	*10.8	↘
13:	10.2	↘
14:	*10.7	↗
15:	10.2	↗
16:	10.0	←
17:	9.9	↘
18:	10.2	↘
19:	10.2	↘
20:	9.0	↘
Serie		97.0
Total		191.0



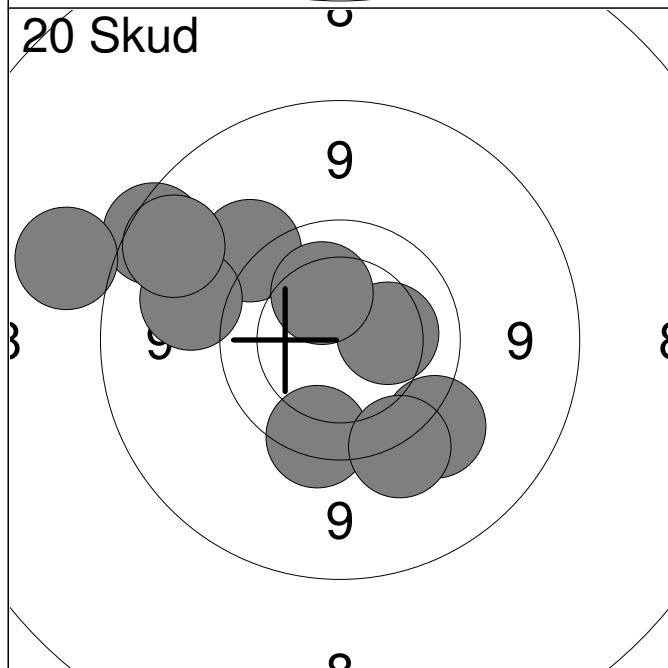
1:	9.9	↓
2:	10.3	↗
3:	8.3	→
4:	9.8	↓
5:	9.1	↗
6:	9.8	→
7:	9.4	↗
8:	9.8	←
9:	*10.5	↙

Serie	82.0
Total	0.0



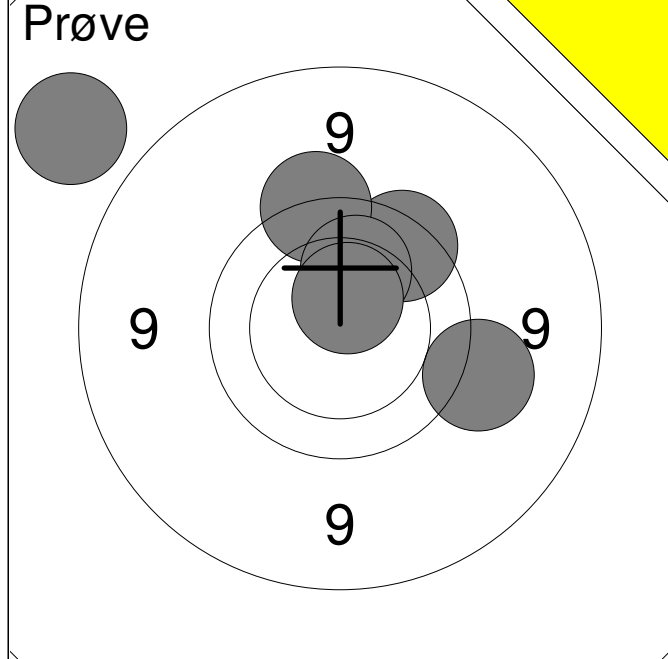
1:	9.7	←
2:	10.1	↓
3:	10.1	↓
4:	9.8	↗
5:	9.3	→
6:	10.5	↓
7:	*10.5	→
8:	9.8	→
9:	*10.7	←
10:	*10.5	↗

Serie	96.0
Total	96.0

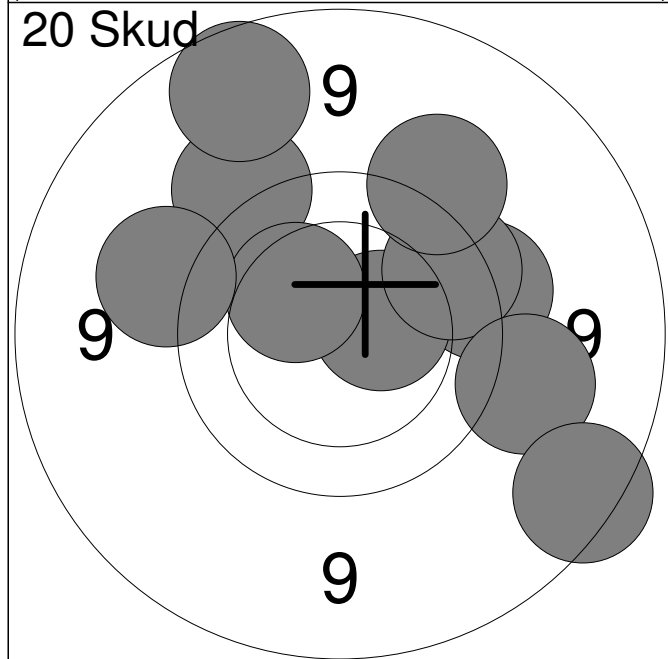


11:	8.8	↗
12:	9.5	↗
13:	9.7	↓
14:	9.4	↓
15:	9.5	↓
16:	10.3	→
17:	10.2	↗
18:	9.2	←
19:	8.9	↗
20:	8.4	←

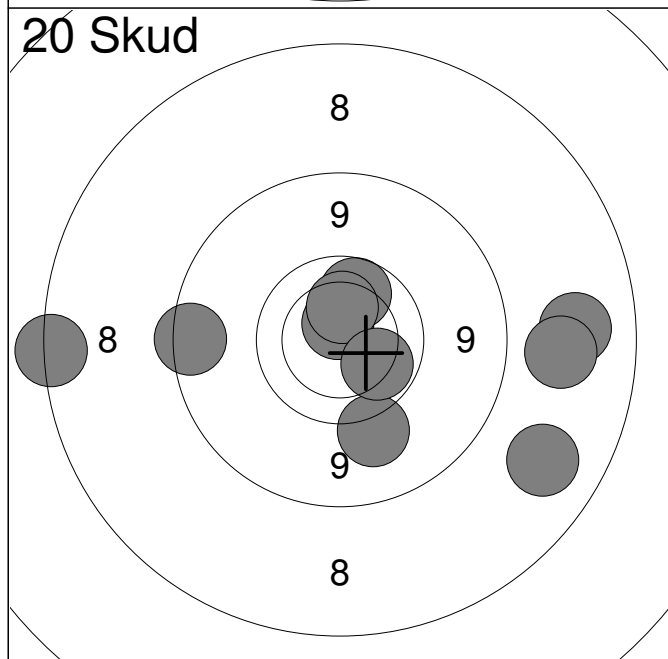
Serie	89.0
Total	185.0



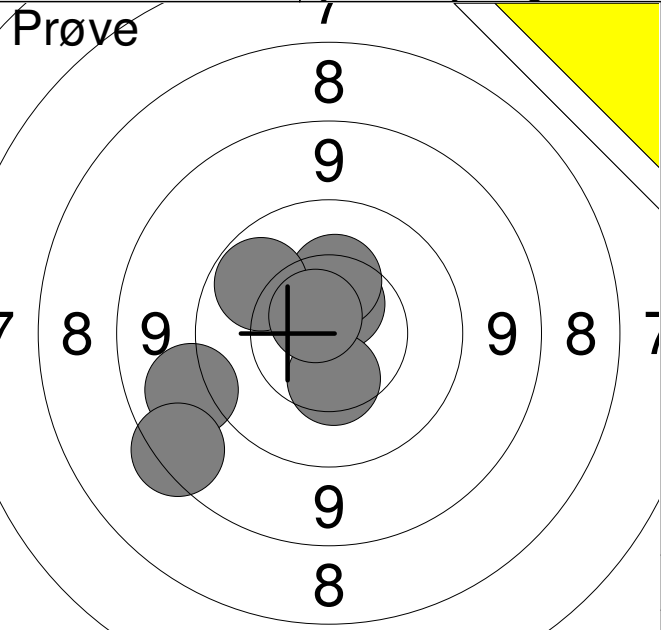
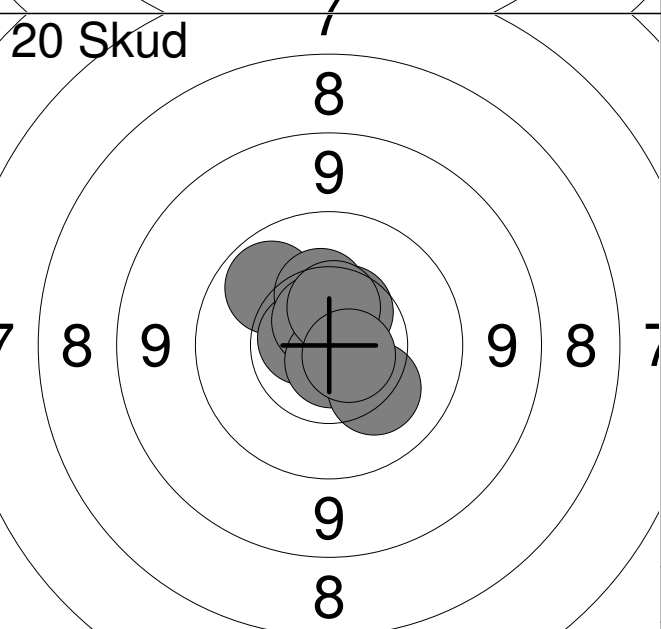
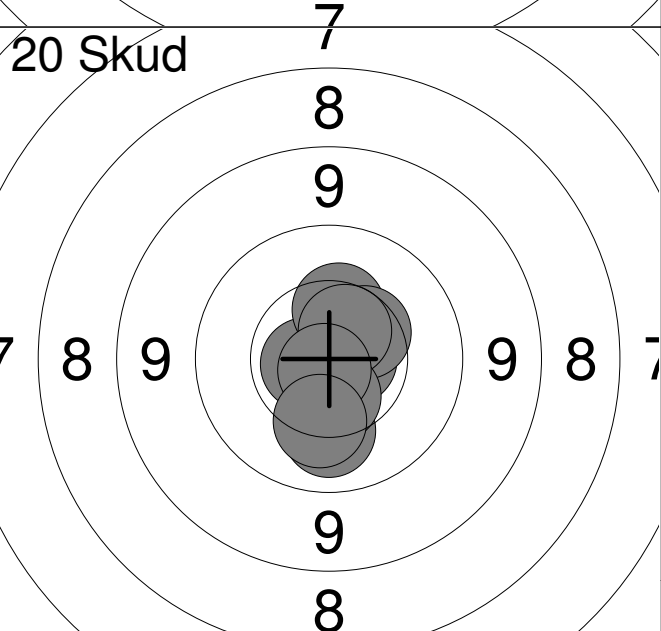
1:	9.7	↗
2:	9.6	↑
3:	9.4	→
4:	8.3	↖
5:	10.1	↑
6:	*10.5	↑
Serie		55.0
Total		0.0

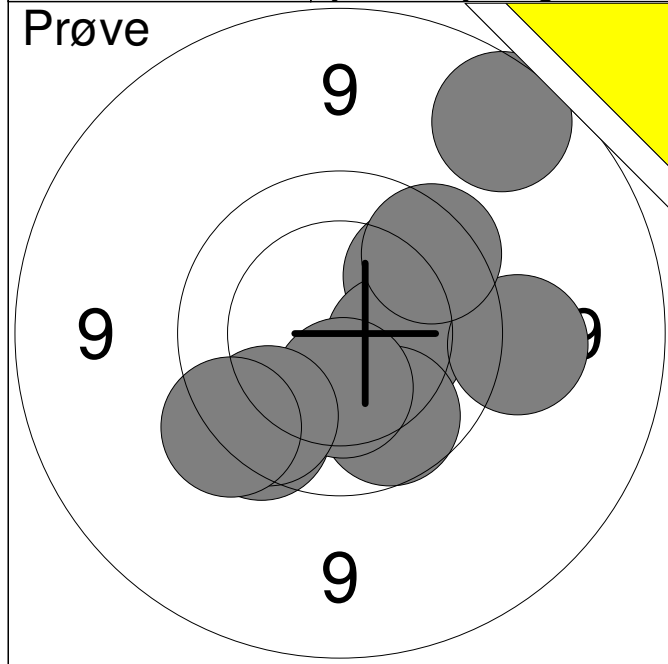


1:	9.4	↗
2:	9.6	→
3:	10.5	→
4:	10.3	↖
5:	9.7	↗
6:	9.3	→
7:	9.4	↖
8:	8.9	↗
9:	9.4	↗
10:	8.8	↘
Serie		90.0
Total		90.0

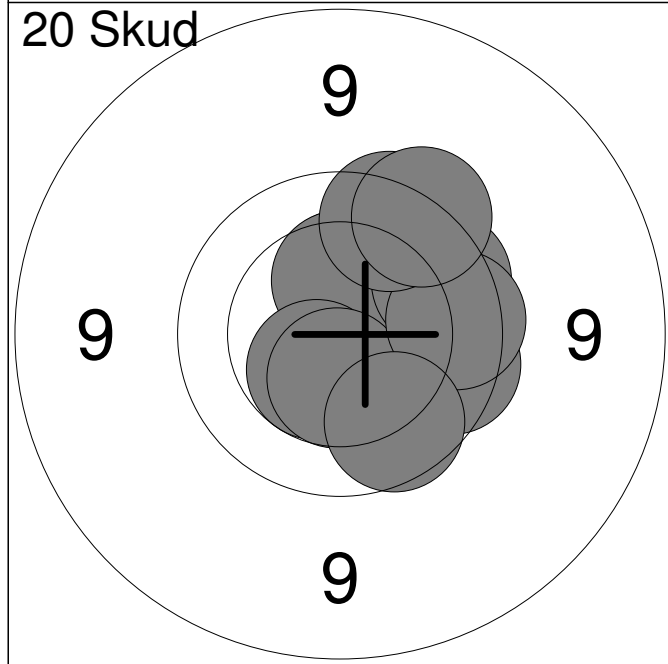


11:	9.9	↑
12:	*10.6	↑
13:	8.1	↘
14:	10.3	↑
15:	8.8	←
16:	9.4	↘
17:	8.1	→
18:	7.7	←
19:	8.3	→
20:	10.0	↘
Serie		87.0
Total		177.0

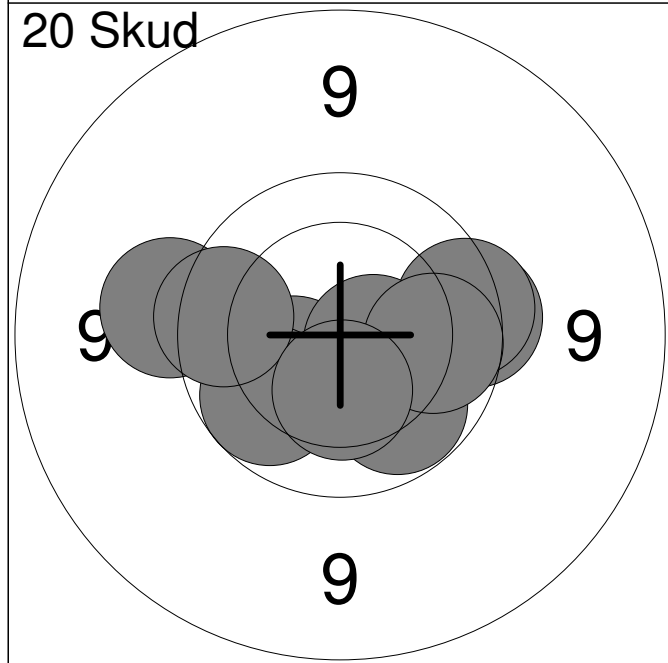
	Jyllandsskydning		Aalborg Skyttekreds
Prøve 			1: 9.2 ← 2: 8.6 ↙ 3: *10.6 ↑ 4: 10.5 ↑ 5: 10.3 ↑ 6: 10.4 ↓ 7: 10.0 ↗ 8: *10.7 ↗
	Serie		77.0
	Total		0.0
20 Skud 			1: *10.7 ↗ 2: 10.5 ↗ 3: 10.0 ↗ 4: *10.7 ↖ 5: 10.4 ↑ 6: *10.6 ↗ 7: *10.8 ↓ 8: 10.2 ↓ 9: 10.5 ↑ 10: *10.7 ↘
	Serie		100.0
	Total		100.0
20 Skud 			11: *10.8 ↓ 12: *10.7 ← 13: *10.7 → 14: 10.1 ↓ 15: 10.4 ↑ 16: 10.4 ↗ 17: 10.6 ↗ 18: 10.5 ↓ 19: *10.8 ↓ 20: 10.2 ↓
	Serie		100.0
	Total		200.0



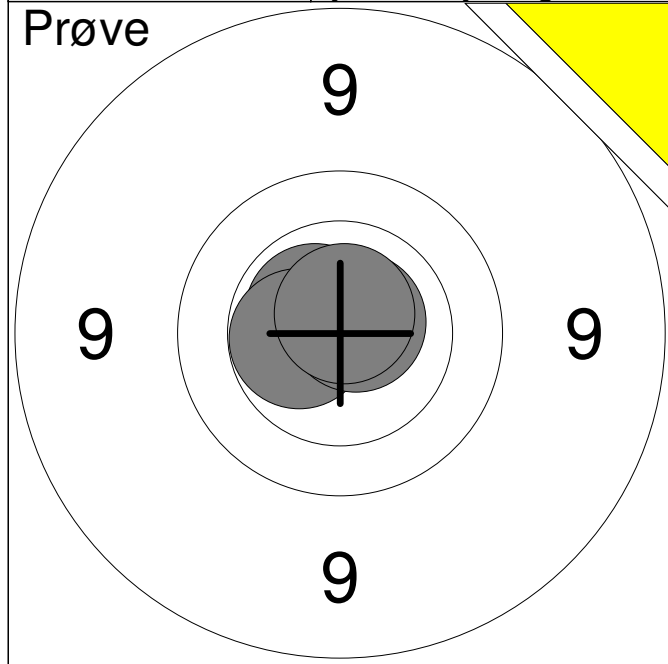
1:	9.9	↗
2:	10.3	→
3:	9.9	↘
4:	9.8	↙
5:	8.9	↗
6:	10.4	↓
7:	9.8	↙
8:	9.4	→
9:	9.6	↙
10:	9.8	↗
Serie		91.0
Total		0.0



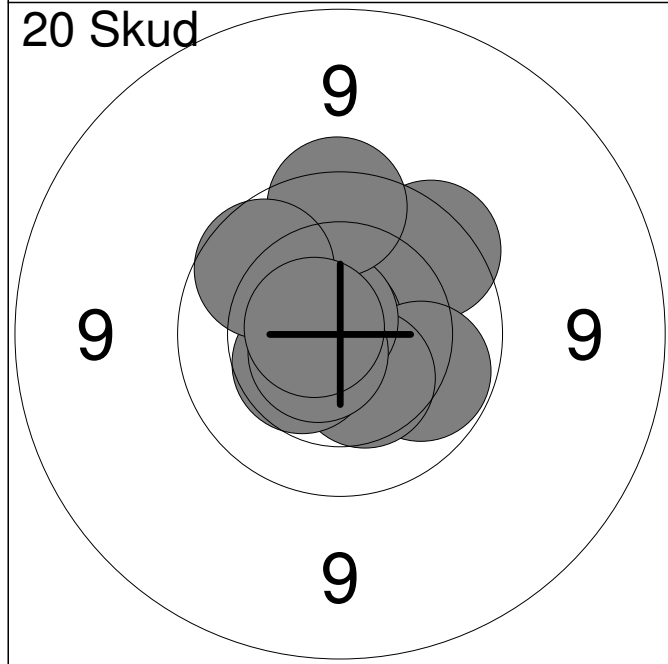
1:	9.8	→
2:	10.4	↑
3:	10.4	↑
4:	10.5	↙
5:	10.5	↓
6:	9.8	↗
7:	9.8	→
8:	9.8	↑
9:	9.9	↘
10:	9.6	↗
Serie		94.0
Total		94.0



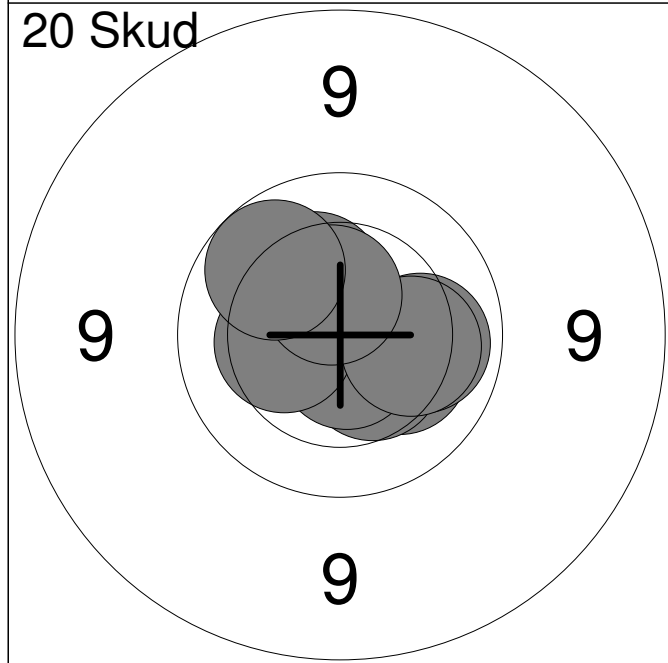
11:	9.7	→
12:	10.0	↘
13:	10.3	↙
14:	9.7	→
15:	9.9	↙
16:	*10.6	→
17:	9.5	←
18:	9.9	→
19:	9.8	←
20:	10.4	↓
Serie		94.0
Total		188.0



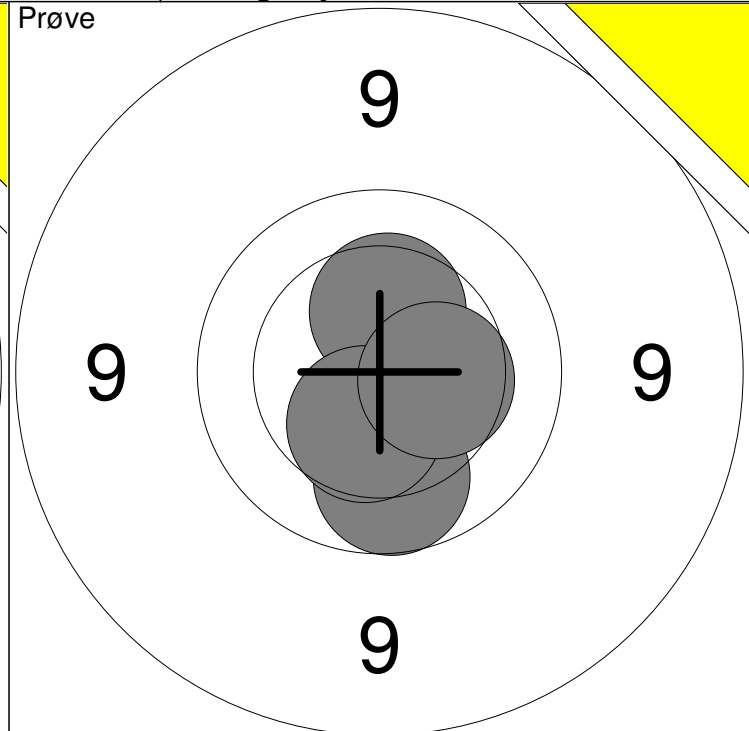
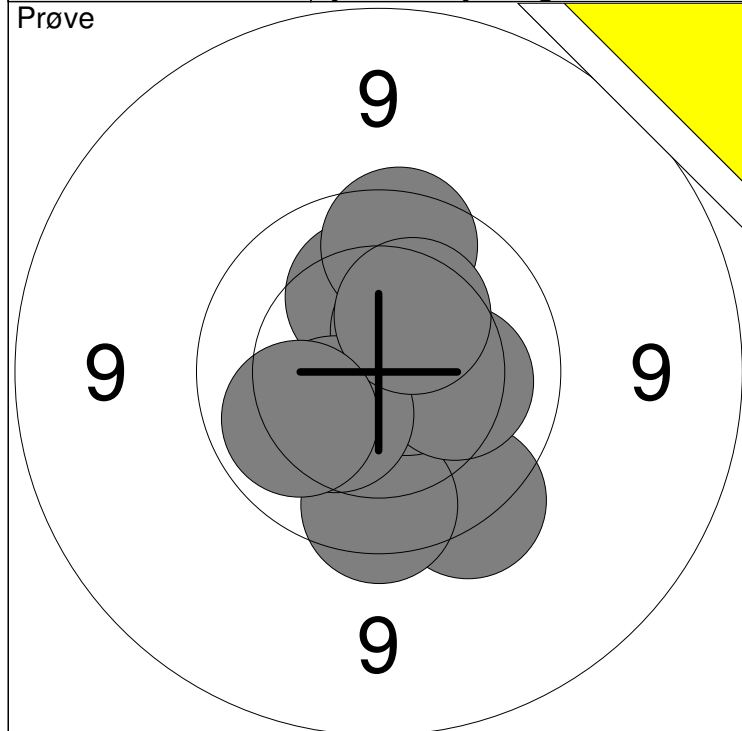
1:	*10.6	↖
2:	*10.8	↑
3:	*10.5	←
4:	*10.7	↗
5:	*10.7	↑
Serie		50.0
Total		0.0



1:	9.8	↗
2:	*10.8	↗
3:	10.0	↘
4:	10.4	↘
5:	*10.7	↗
6:	10.4	↖
7:	*10.6	↖
8:	9.7	↑
9:	9.9	↗
10:	*10.7	←
Serie		97.0
Total		97.0

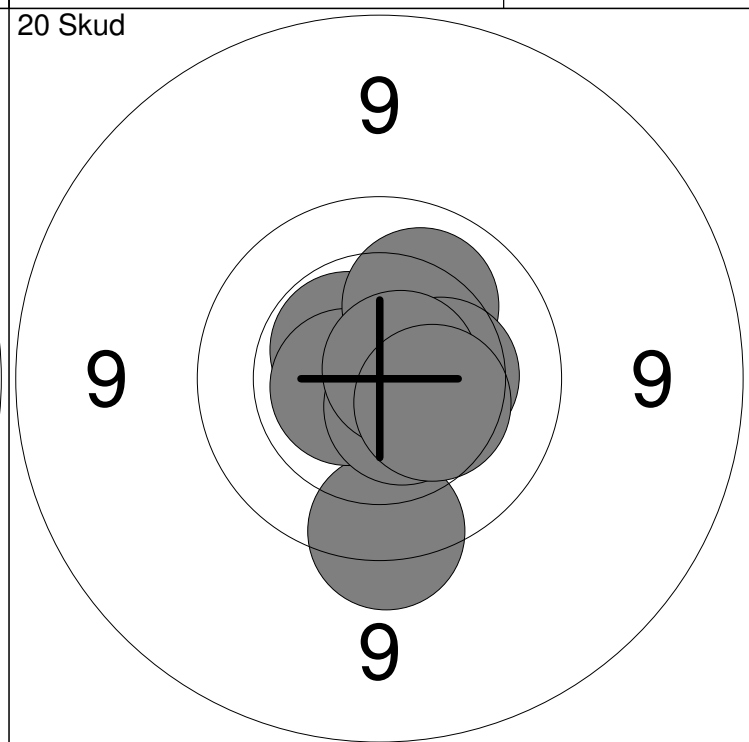
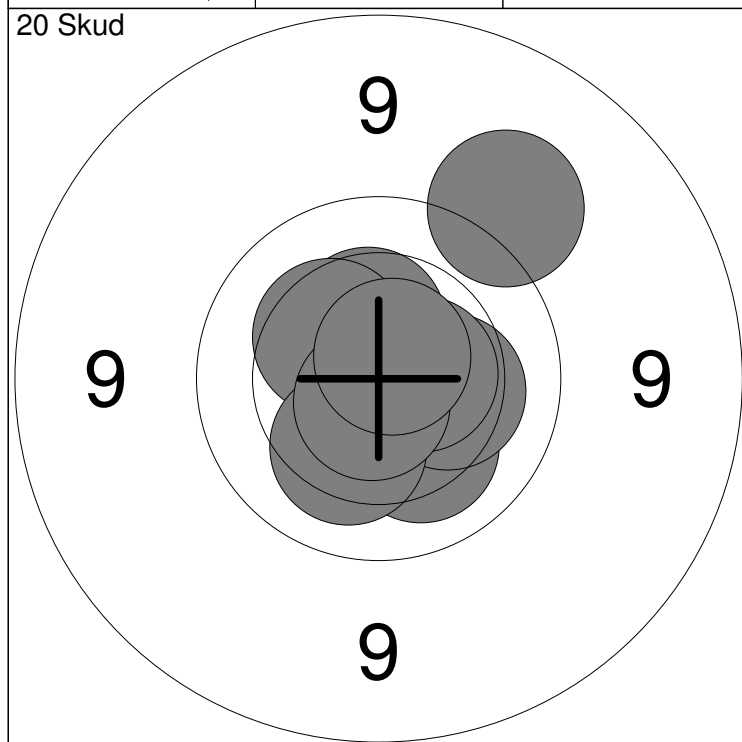


11:	10.2	↘
12:	10.3	↗
13:	10.4	↘
14:	*10.7	↘
15:	10.1	→
16:	*10.7	↘
17:	10.3	←
18:	10.2	→
19:	*10.5	↑
20:	10.0	↗
Serie		100.0
Total		197.0



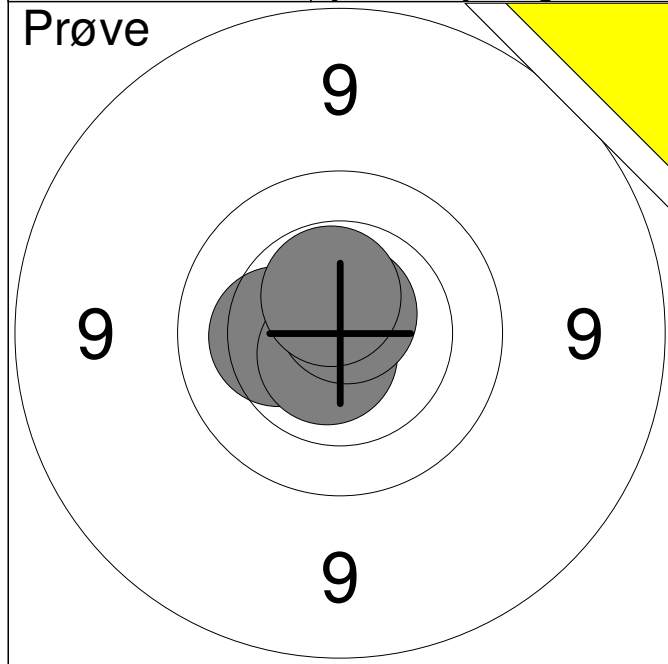
1: 9.7 ↘	6: 10.5 ↗	Serie	97.0
2: 9.8 ↓	7: 10.2 →		
3: *10.7 →	8: 10.4 ↙	Total	0.0
4: 10.2 ↑	9: 10.3 ↗		
5: 9.8 ↑	10: 10.1 ↙		

11: 10.4 ↑	Serie	39.0
12: 9.9 ↓		
13: 10.4 ↓	Total	0.0
14: 10.4 →		

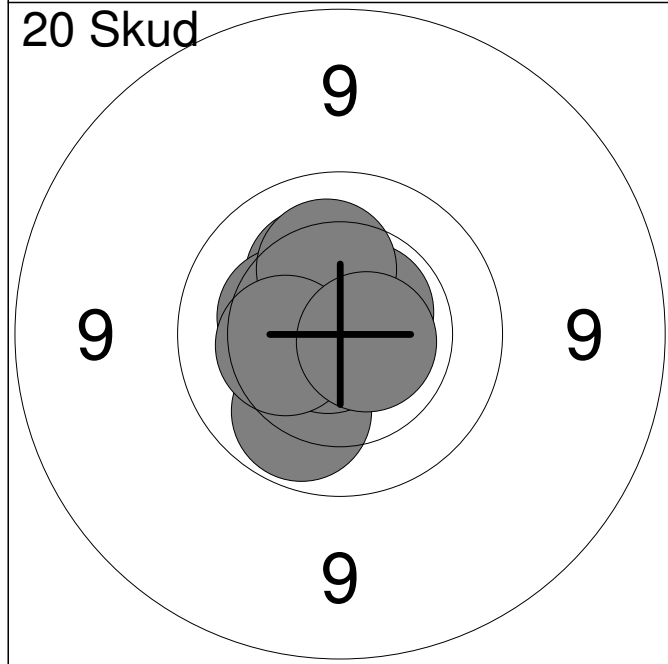


1: 10.2 ↘	6: *10.6 →	Serie	99.0
2: 10.3 →	7: 10.2 ↓		
3: 10.5 ↗	8: *10.7 ↓	Total	99.0
4: 10.4 ↑	9: *10.7 ↗		
5: 10.3 ↖	10: 9.4 ↗		

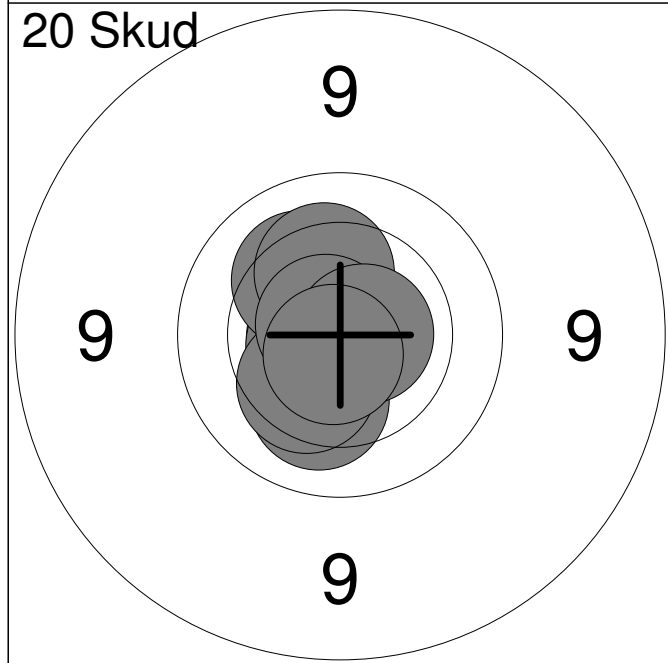
11: 9.7 ↓	16: *10.6 ↘	Serie	99.0
12: *10.5 →	17: 10.1 ↗		
13: *10.6 ↑	18: 10.4 →	Total	198.0
14: *10.5 ↖	19: *10.7 →		
15: *10.6 ↙	20: 10.4 →		



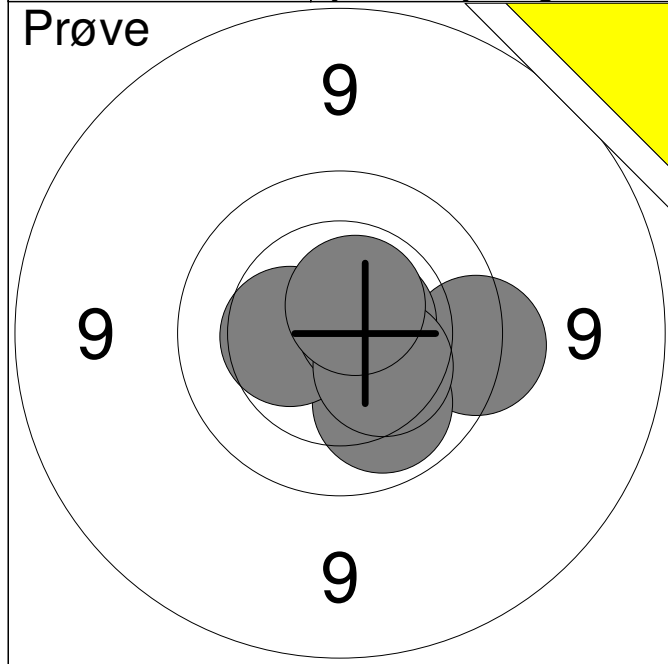
1:	*10.8	←
2:	10.3	←
3:	*10.7	↙
4:	*10.7	↗
5:	*10.5	↑
Serie		50.0
Total		0.0



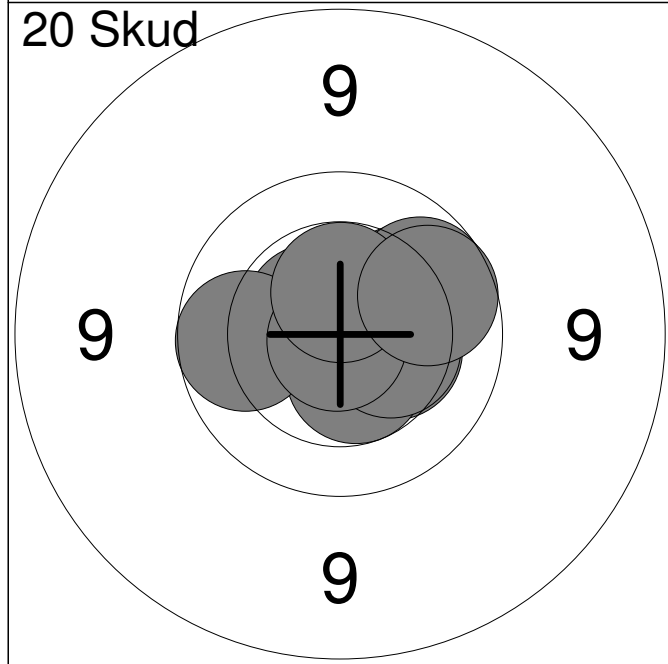
1:	*10.6	←
2:	10.3	↑
3:	*10.9	↙
4:	10.0	↘
5:	10.4	←
6:	*10.8	↙
7:	*10.6	↗
8:	10.2	↑
9:	10.4	←
10:	*10.7	→
Serie		100.0
Total		100.0



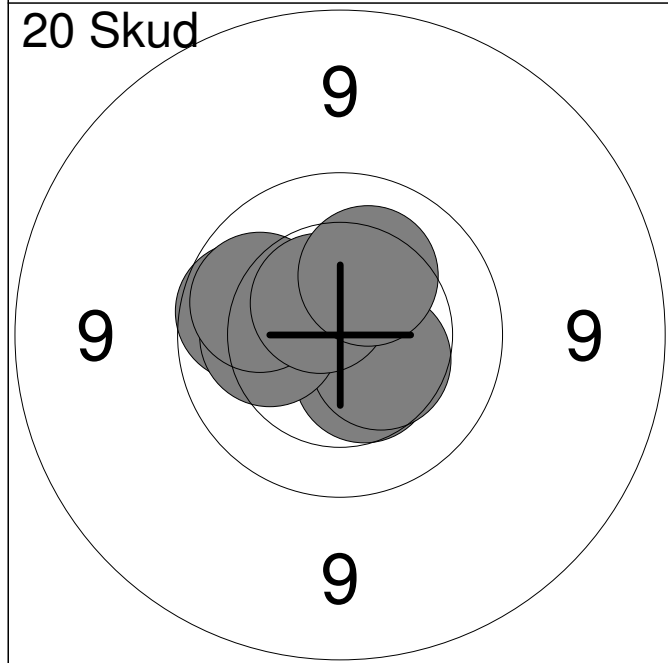
11:	*10.7	←
12:	*10.7	←
13:	*10.8	↑
14:	10.2	↗
15:	10.2	↘
16:	10.3	↑
17:	10.3	↙
18:	*10.8	↗
19:	*10.7	→
20:	*10.7	↘
Serie		100.0
Total		200.0



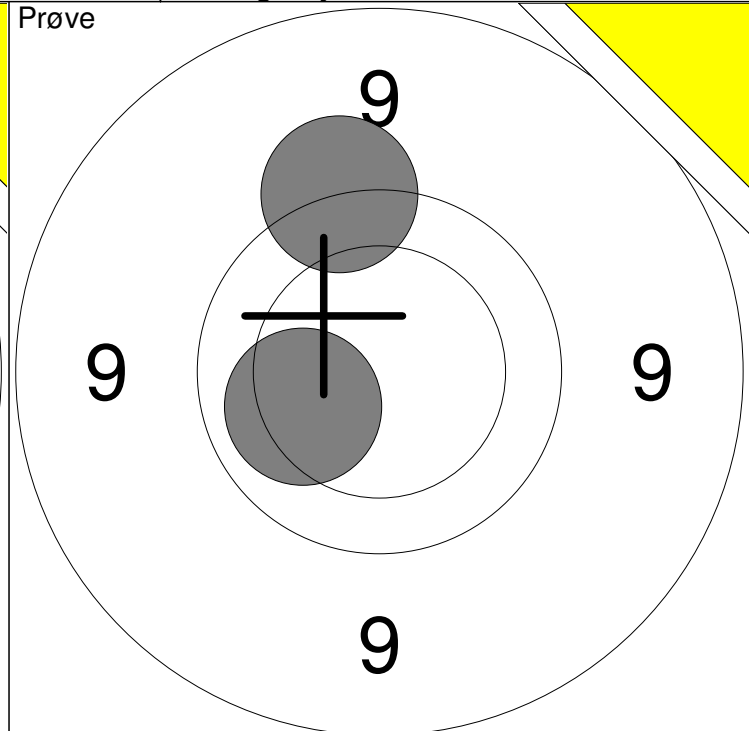
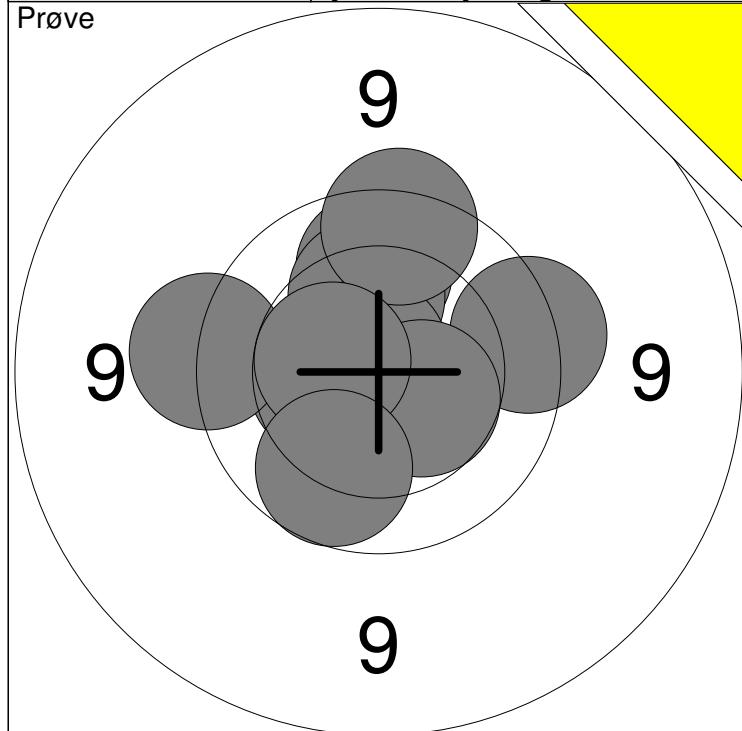
1:	9.7	→
2:	10.1	↓
3:	10.4	←
4:	*10.6	→
5:	10.4	↓
6:	*10.6	↑
Serie		59.0
Total		0.0



1:	10.1	↗
2:	*10.6	↗
3:	10.4	→
4:	9.9	↗
5:	*10.5	↓
6:	9.9	←
7:	10.4	→
8:	*10.9	↓
9:	*10.5	↑
10:	9.9	↗
Serie		97.0
Total		97.0

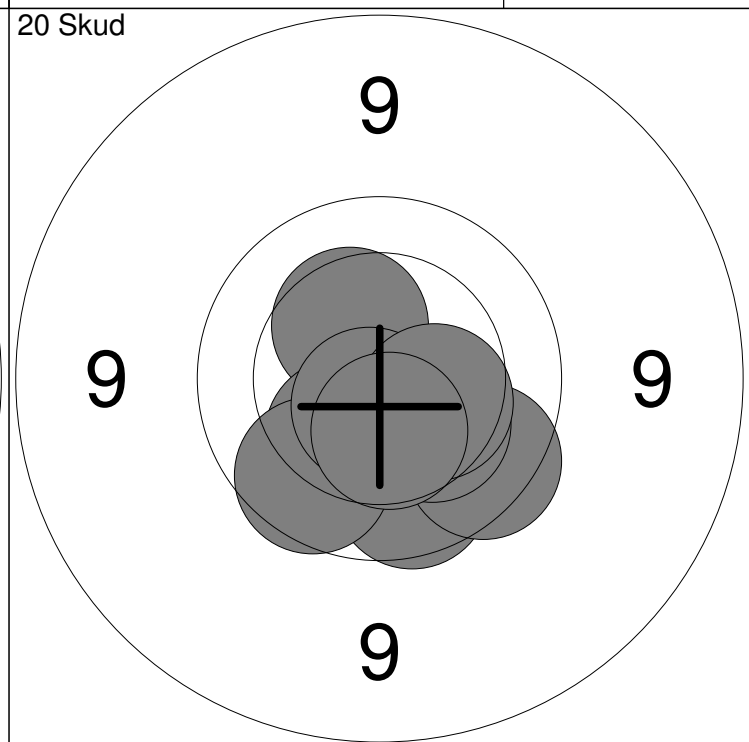
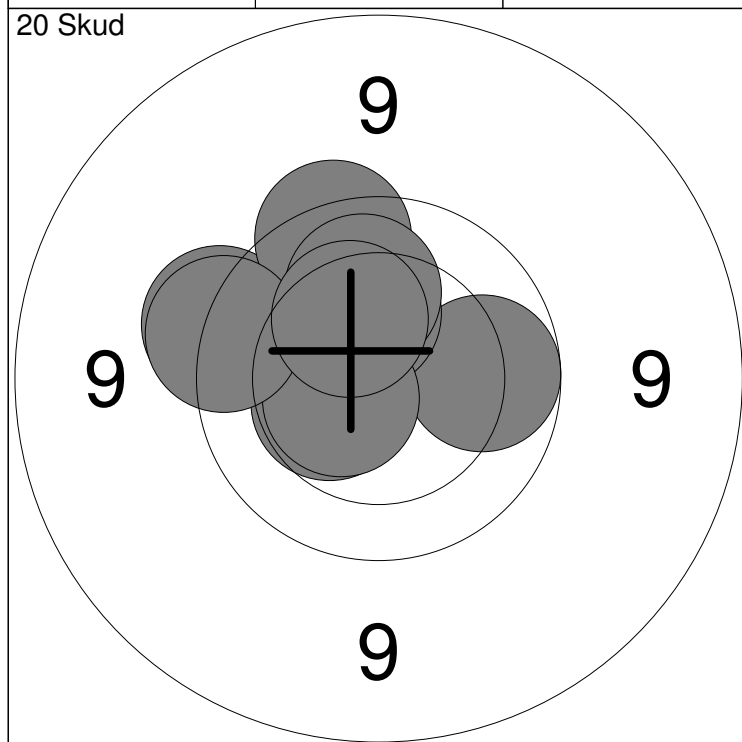


11:	*10.7	↗
12:	*10.7	↓
13:	*10.9	↗
14:	10.5	↓
15:	10.4	↓
16:	9.9	←
17:	10.2	←
18:	10.0	↗
19:	*10.5	↗
20:	10.2	↗
Serie		99.0
Total		196.0



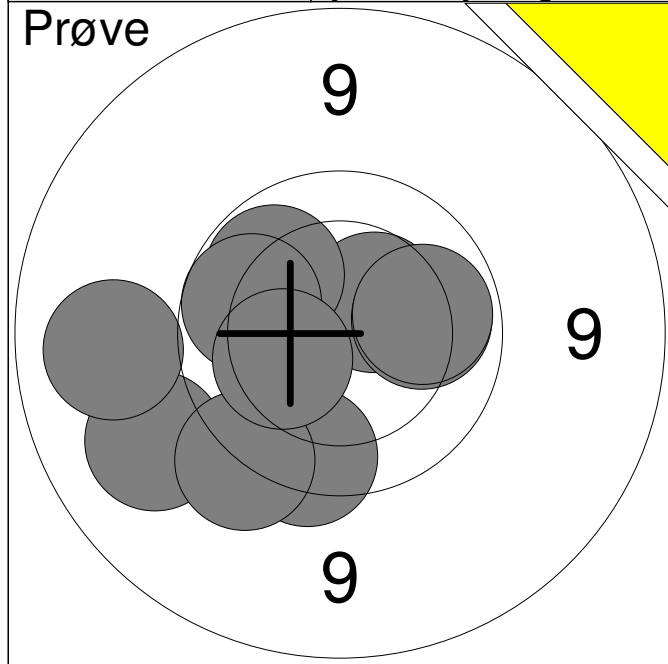
1: 9.7 →	6: 10.5 ↘	Serie	96.0
2: 10.0 ↑	7: 9.7 ↑		
3: 10.2 ↑	8: 9.6 ←	Total	0.0
4: *10.8 ↗	9: *10.5 ↙		
5: 10.4 ←	10: 9.9 ↘		

11: 9.5 ↑	Serie	19.0
12: 10.1 ←		
Total		0.0

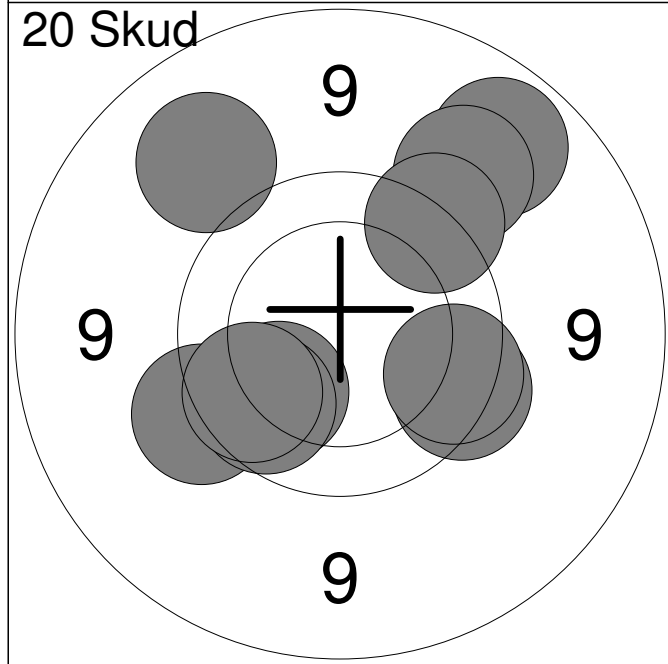


1: 10.0 →	6: *10.5 ↙	Serie	97.0
2: 10.3 ↙	7: 9.7 ↑		
3: 10.3 ↑	8: 9.6 ←	Total	97.0
4: 10.4 ↙	9: 10.1 ↑		
5: 9.6 ←	10: 10.3 ↗		

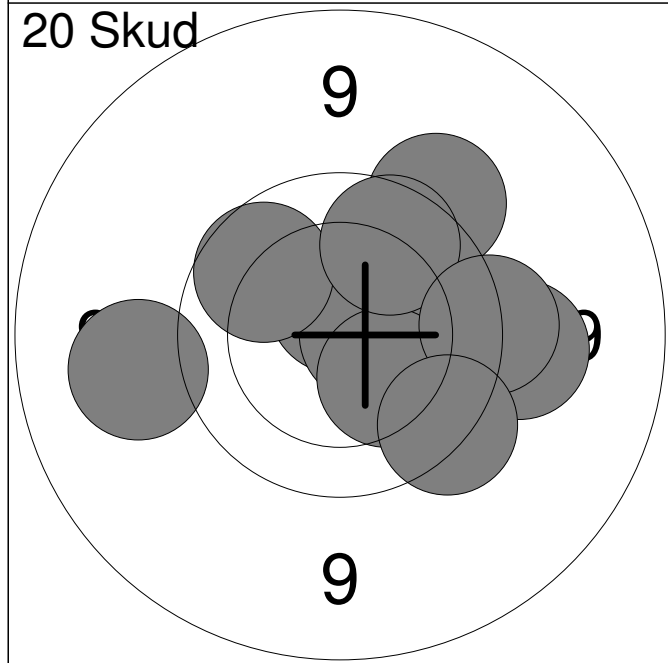
11: 10.4 ↗	16: 9.9 ↘	Serie	97.0
12: 10.3 ↘	17: *10.7 ↘		
13: 10.4 ↘	18: 10.3 ↘	Total	194.0
14: 9.9 ↘	19: 10.4 →		
15: 9.8 ↘	20: 10.4 ↘		



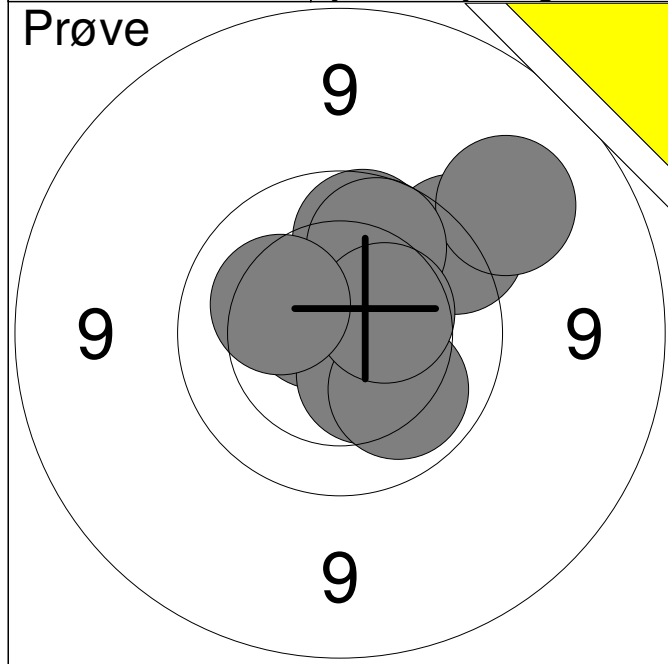
1:	10.5	↗
2:	10.1	→
3:	9.2	↖
4:	9.7	↓
5:	10.0	↗
6:	9.1	↖
7:	9.5	↘
8:	9.9	↖
9:	10.0	→
10:	10.3	↖
Serie		95.0
Total		0.0



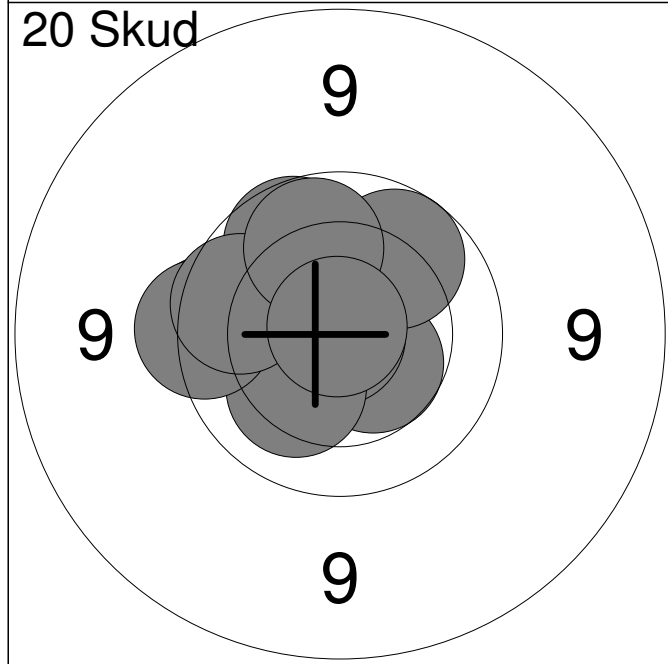
1:	10.0	↖
2:	9.5	↖
3:	9.7	→
4:	9.9	↖
5:	9.8	→
6:	9.0	↗
7:	9.9	↖
8:	9.3	↗
9:	9.6	↗
10:	9.2	↖
Serie		91.0
Total		91.0



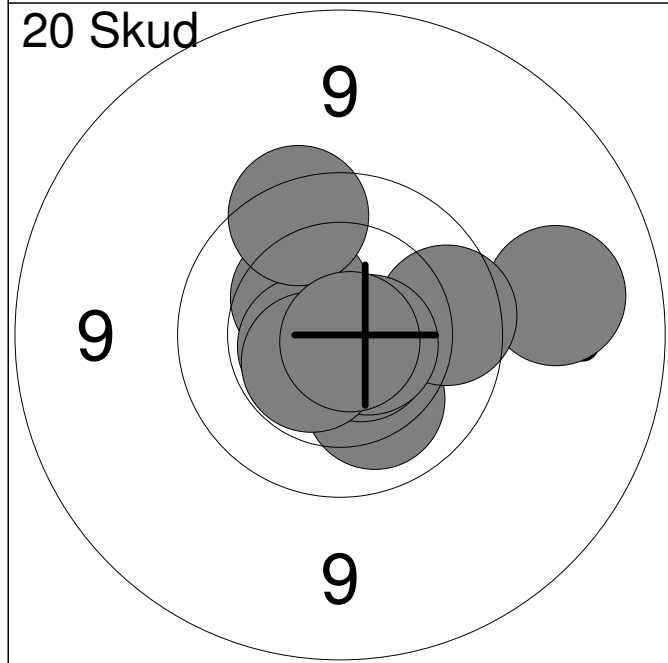
11:	9.5	↗
12:	*10.6	↑
13:	*10.6	→
14:	9.3	↖
15:	10.3	↘
16:	9.9	↗
17:	9.9	↗
18:	9.4	→
19:	9.6	→
20:	9.7	↘
Serie		93.0
Total		184.0



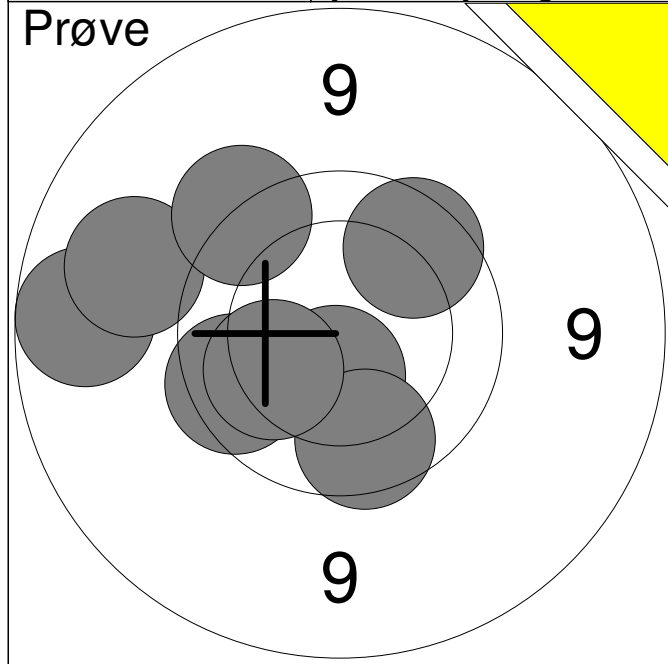
1:	9.6	↗
2:	*10.7	↖
3:	9.2	↗
4:	*10.7	↑
5:	10.4	↓
6:	10.1	↓
7:	9.9	↑
8:	9.9	↑
9:	10.4	↗
10:	10.2	↖
Serie		96.0
Total		0.0



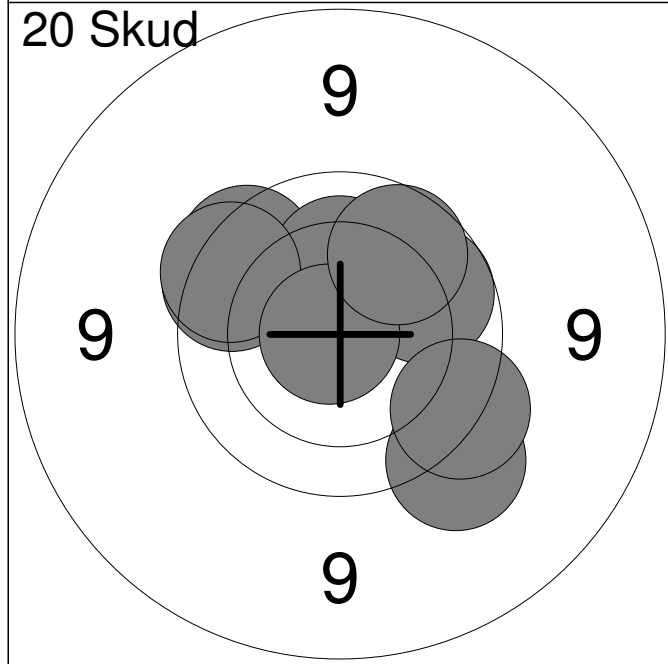
1:	10.5	↓
2:	*10.9	←
3:	9.7	←
4:	9.9	↑
5:	9.9	↗
6:	10.2	↘
7:	9.7	←
8:	9.9	←
9:	10.0	↑
10:	*10.9	↑
Serie		95.0
Total		95.0



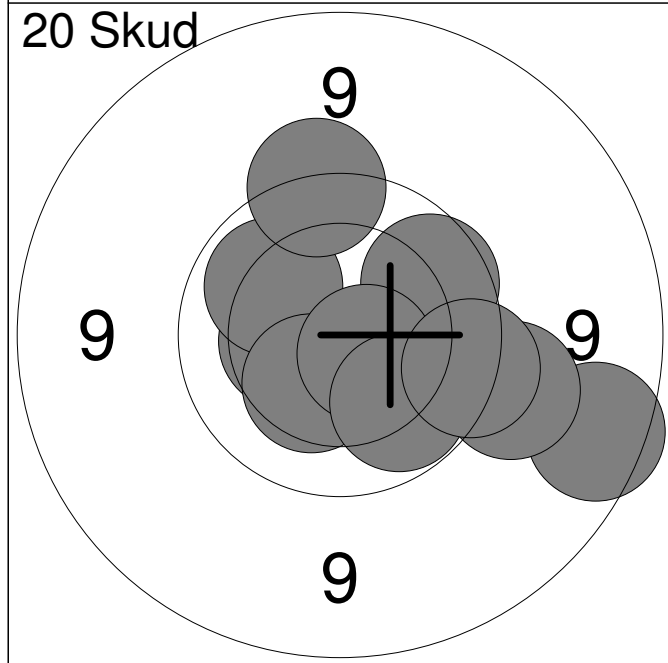
11:	10.2	↓
12:	9.2	→
13:	9.9	→
14:	*10.7	↘
15:	10.4	↗
16:	*10.6	↘
17:	*10.6	←
18:	9.7	↑
19:	*10.5	↘
20:	*10.8	↘
Serie		97.0
Total		192.0



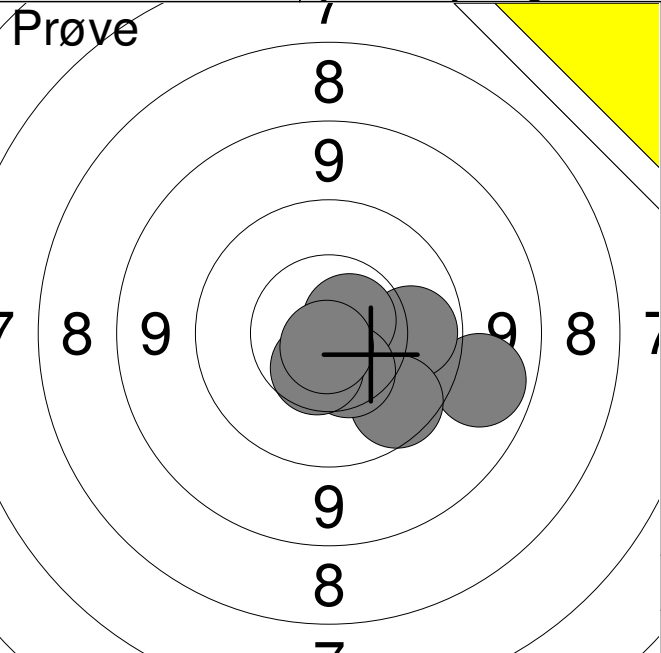
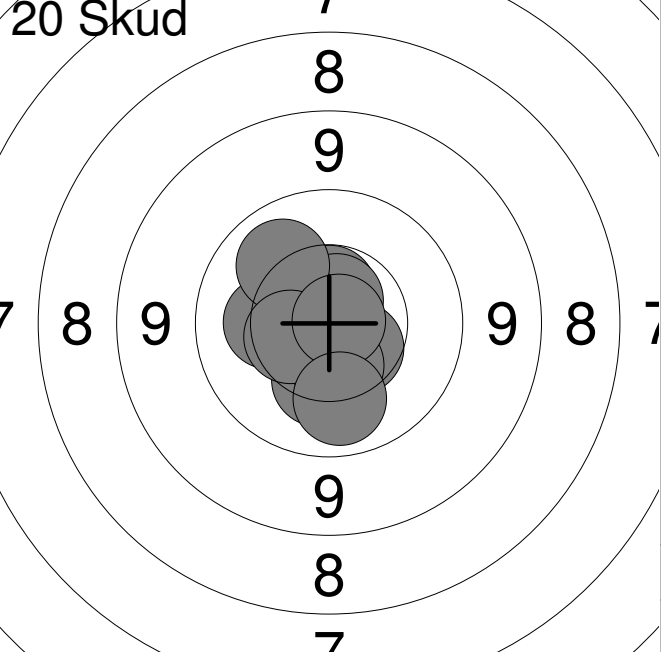
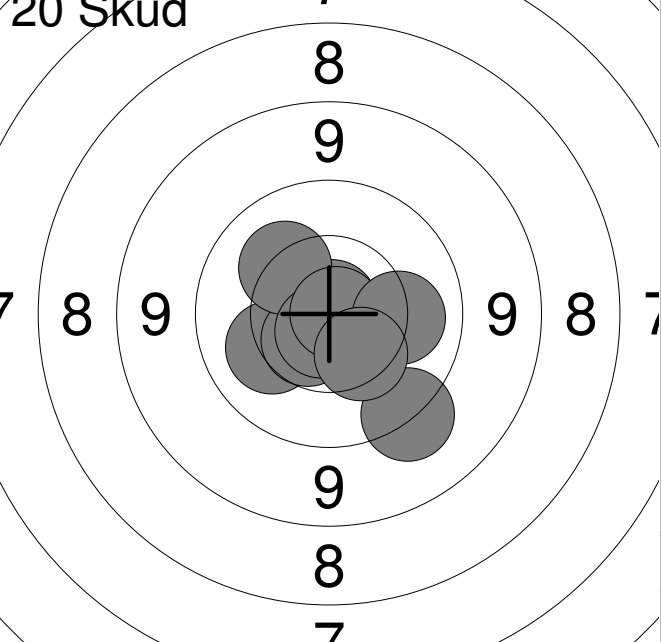
1:	9.8	↗
2:	8.9	←
3:	9.8	↙
4:	10.5	↓
5:	9.2	↖
6:	9.9	↓
7:	10.1	↖
8:	9.6	↗
Serie		73.0
Total		0.0

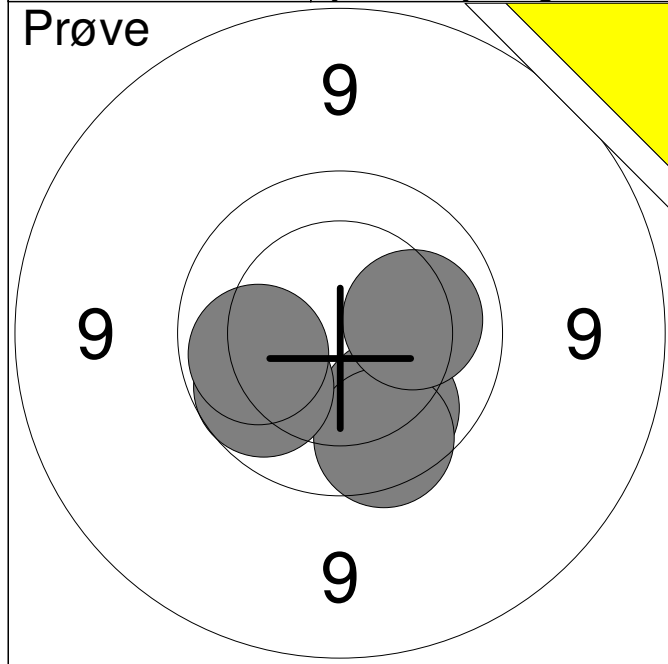


1:	9.5	↘
2:	9.8	↗
3:	9.8	↗
4:	10.5	↗
5:	9.9	→
6:	10.2	↑
7:	9.7	↗
8:	9.6	↘
9:	*10.8	←
10:	9.9	↗
Serie		93.0
Total		93.0

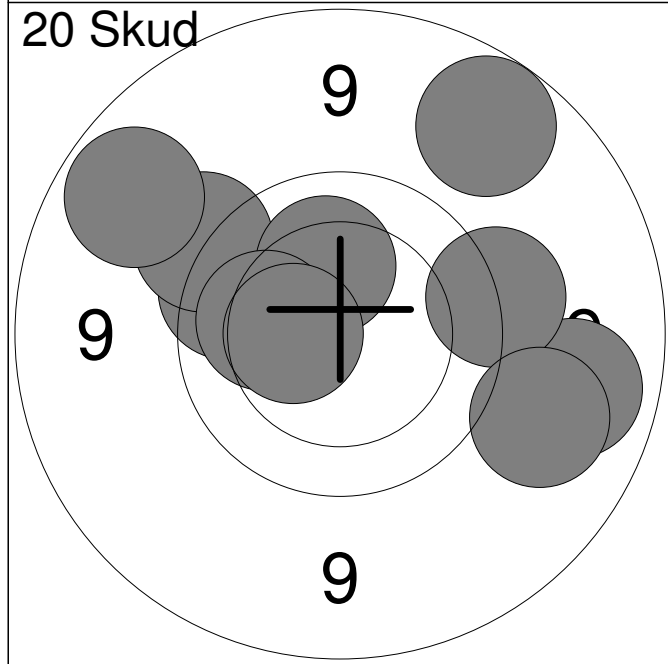


11:	10.4	←
12:	8.9	→
13:	10.1	↗
14:	9.9	→
15:	9.6	↑
16:	10.3	↙
17:	*10.6	↘
18:	9.4	→
19:	10.0	↓
20:	9.7	→
Serie		94.0
Total		187.0

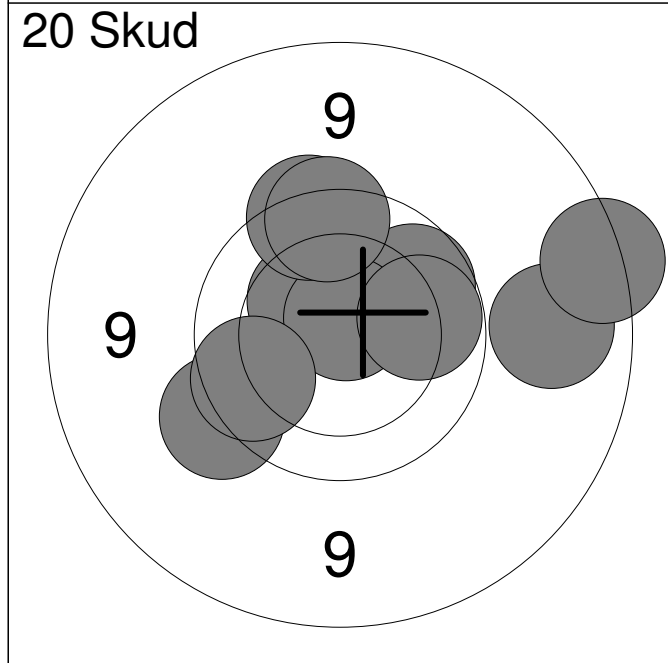
	Jyllandsskydning	Aalborg Skyttekreds
Prøve 	7	1: 9.0 →
	8	2: 10.0 →
	9	3: 9.8 ↘
	9	4: *10.7 ↗
	8	5: 10.5 ↘
	7	6: 10.5 ↘
	7	7: *10.8 ↓
	7	Serie 68.0
Total 0.0		
20 Skud 	7	1: 10.5 ↘
	8	2: 10.3 ↓
	9	3: 10.5 ↘
	9	4: *10.6 ↑
	8	5: 10.3 ←
	7	6: *10.7 ↑
	7	7: 10.1 ↗
	7	8: 10.5 ←
	7	9: *10.8 →
	7	10: 10.1 ↓
	7	Serie 100.0
Total 100.0		
20 Skud 	7	11: *10.9 ↑
	8	12: 10.2 ↙
	9	13: 10.6 ↙
	9	14: 10.2 ↗
	8	15: *10.7 ↘
	7	16: 9.4 ↘
	7	17: 10.5 ↘
	7	18: *10.9 →
	7	19: 10.1 →
	7	20: 10.4 ↘
	7	Serie 99.0
Total 199.0		



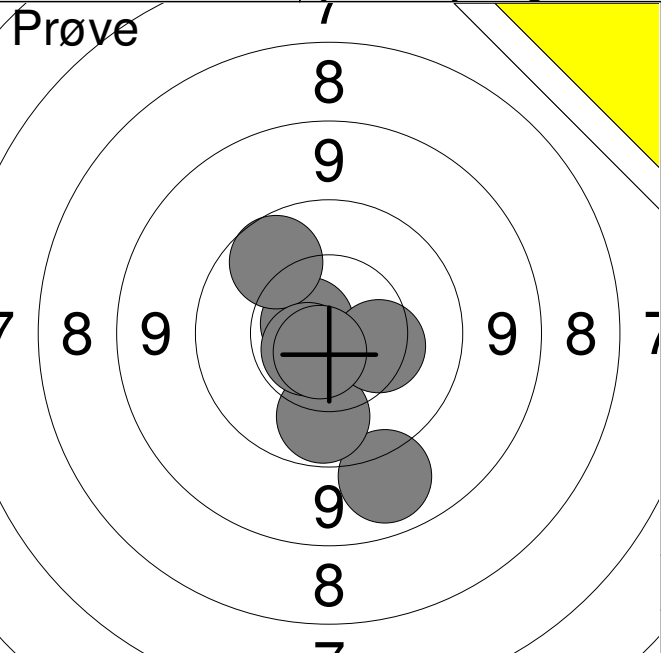
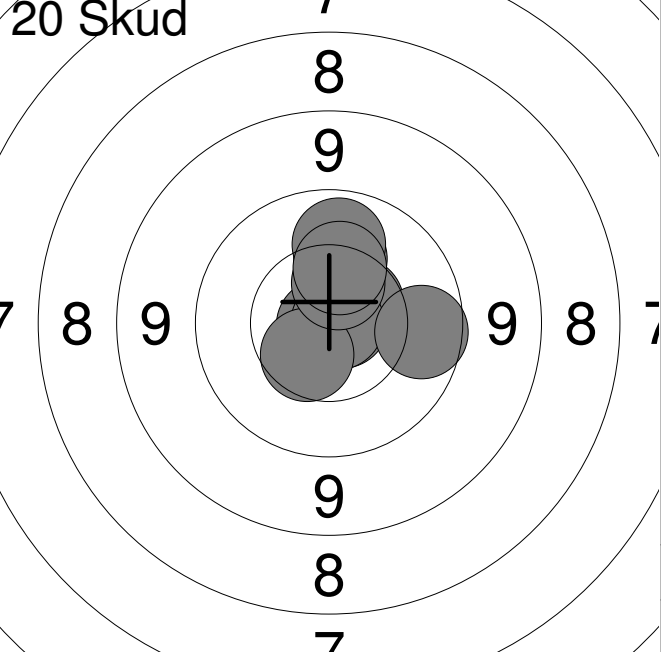
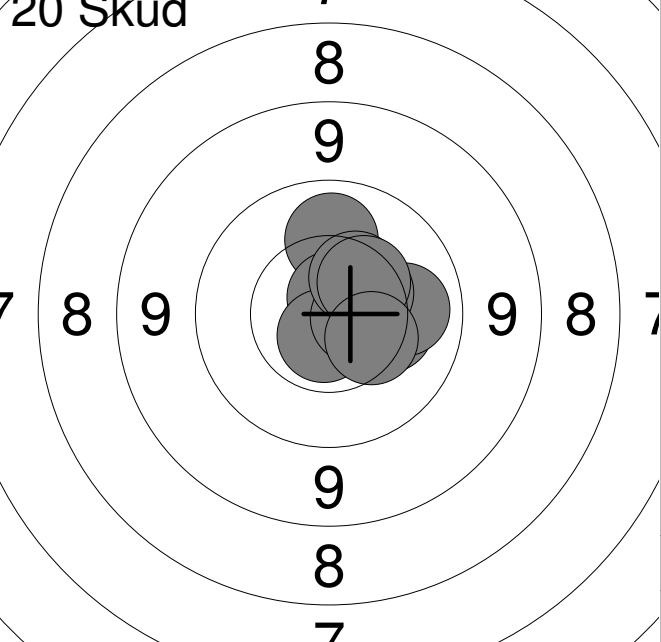
1:	10.0	↘
2:	9.8	↘
3:	10.1	→
4:	9.9	↙
5:	10.0	↙
Serie		48.0
Total		0.0

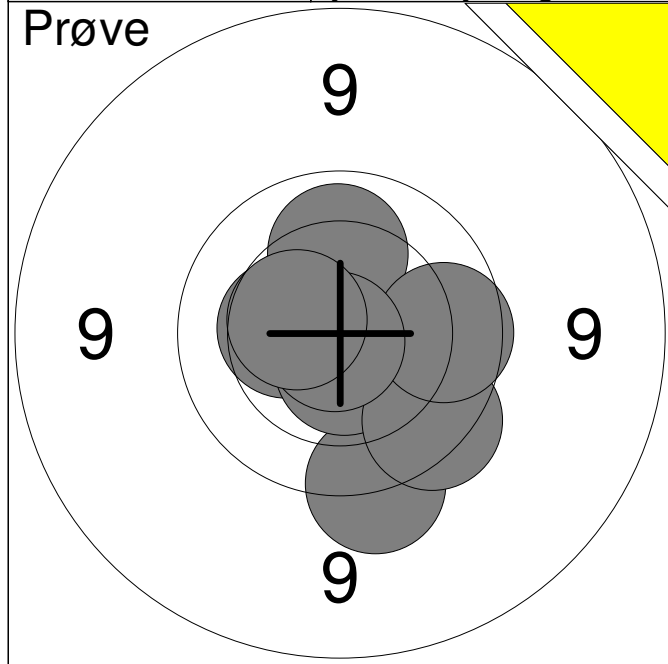


1:	9.8	↖
2:	9.1	→
3:	9.5	↗
4:	9.5	→
5:	9.0	↗
6:	9.2	↘
7:	10.2	↑
8:	10.1	↙
9:	9.0	↗
10:	10.4	↙
Serie		93.0
Total		93.0

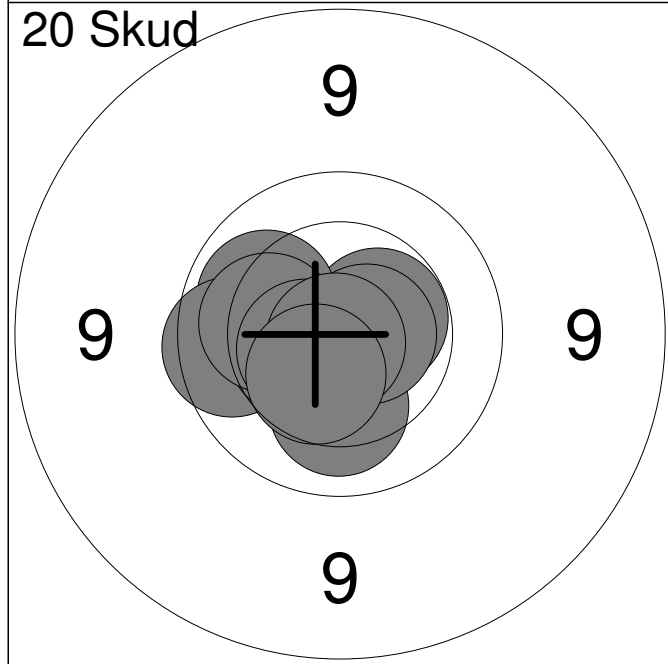


11:	9.1	→
12:	8.8	→
13:	9.9	↗
14:	10.4	↖
15:	9.5	↙
16:	*10.7	↑
17:	9.7	↑
18:	9.7	↑
19:	10.0	→
20:	9.9	↙
Serie		92.0
Total		185.0

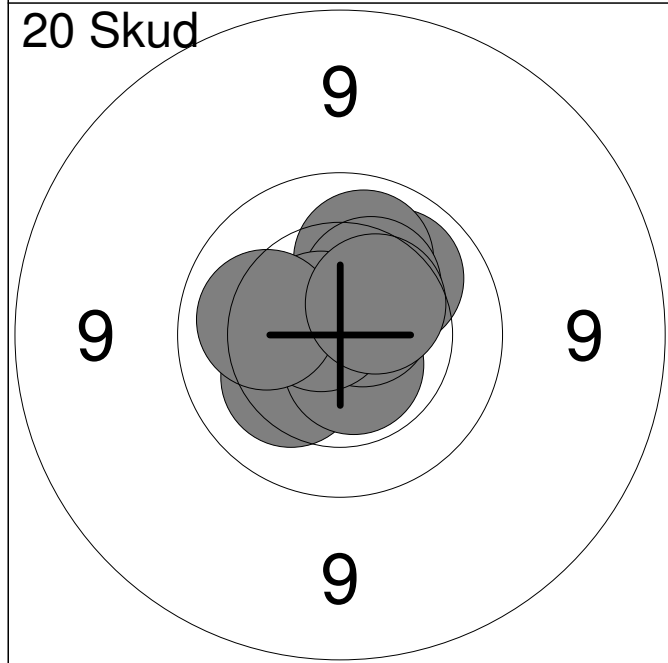
	Jyllandsskydning		Aalborg Skyttekreds
Prøve 			1: 9.1 ↓ 2: *10.7 ↗ 3: 10.0 ↓ 4: 10.4 → 5: 9.9 ↗ 6: *10.6 ↖ 7: *10.7 ↓
	Serie		68.0
	Total		0.0
20 Skud 			1: *10.8 → 2: 10.2 ↑ 3: 10.5 ↗ 4: *10.9 ← 5: *10.9 → 6: 10.0 ↑ 7: 10.5 ↖ 8: 10.5 ↑ 9: 10.3 ↑ 10: 9.9 →
	Serie		99.0
	Total		99.0
20 Skud 			11: 10.1 ↑ 12: 10.3 → 13: *10.7 ↑ 14: 10.1 → 15: *10.7 ↓ 16: 10.5 ↗ 17: *10.6 → 18: 10.4 ↗ 19: 10.4 ↗ 20: 10.4 ↘
	Serie		100.0
	Total		199.0



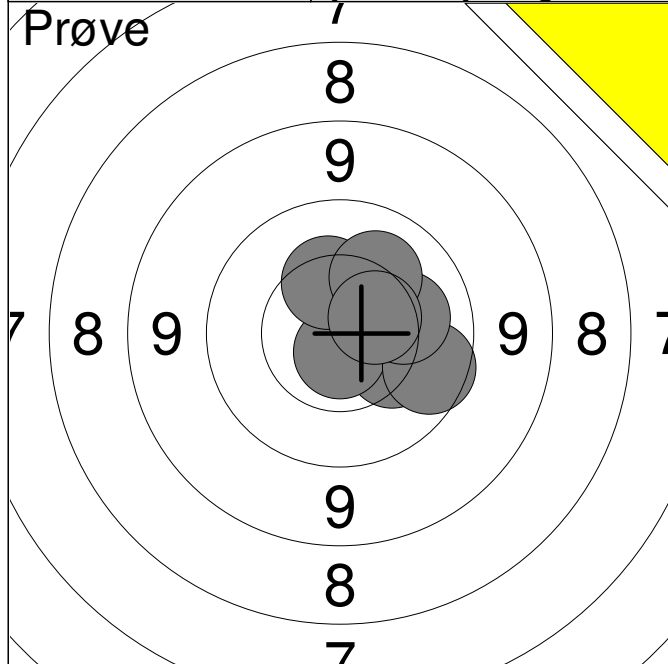
1:	9.6	↓
2:	10.4	←
3:	*10.6	↓
4:	10.1	↑
5:	9.7	↓
6:	9.9	→
7:	*10.8	↓
8:	10.5	←
Serie		77.0
Total		0.0



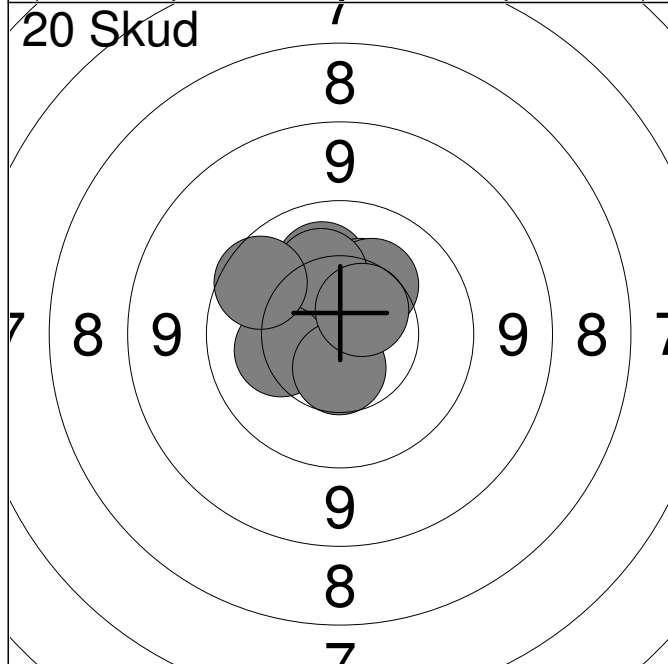
1:	*10.5	→
2:	10.1	←
3:	10.2	↓
4:	9.9	←
5:	10.5	←
6:	10.2	←
7:	*10.7	→
8:	*10.6	←
9:	*10.8	↓
10:	10.4	↓
Serie		99.0
Total		99.0



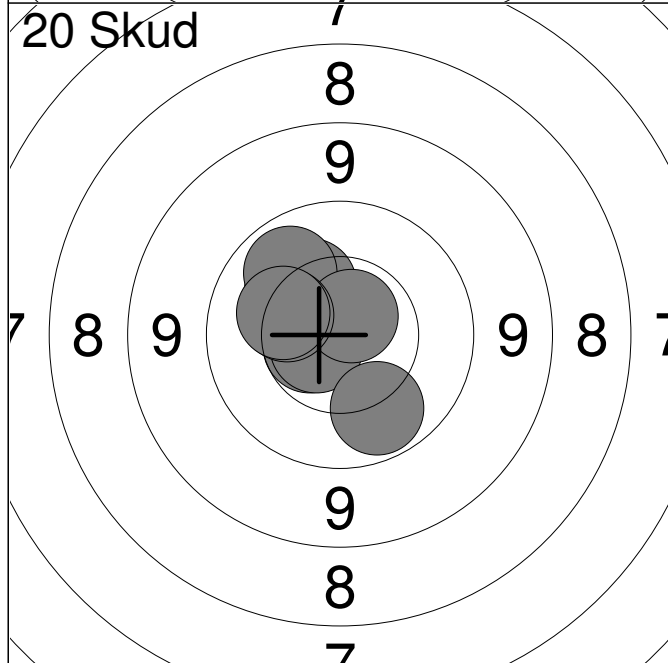
11:	*10.7	←
12:	10.2	↓
13:	*10.6	↓
14:	10.1	↗
15:	10.1	↑
16:	10.3	↗
17:	*10.6	↗
18:	*10.7	←
19:	10.1	←
20:	10.4	↗
Serie		100.0
Total		199.0



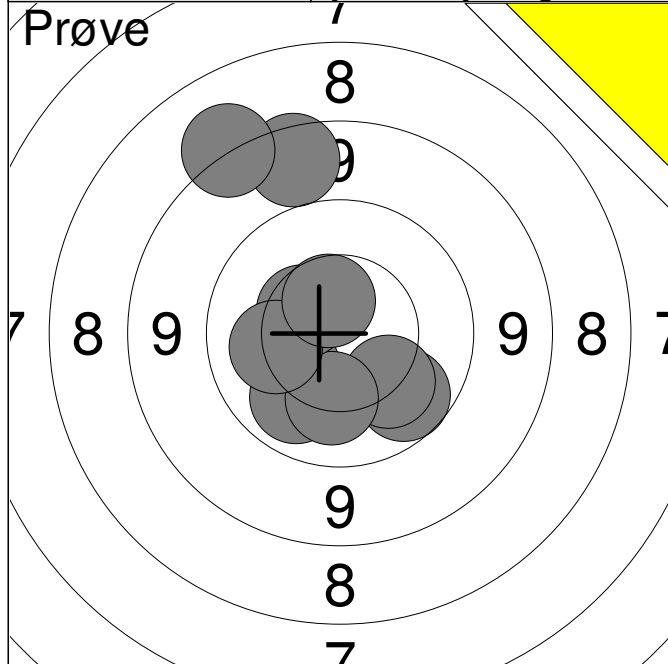
	1:	10.3	↘
	2:	*10.7	↓
	3:	9.8	↘
	4:	10.2	→
	5:	10.3	↑
	6:	10.2	↗
	7:	10.5	↗
Serie			69.0
Total			0.0



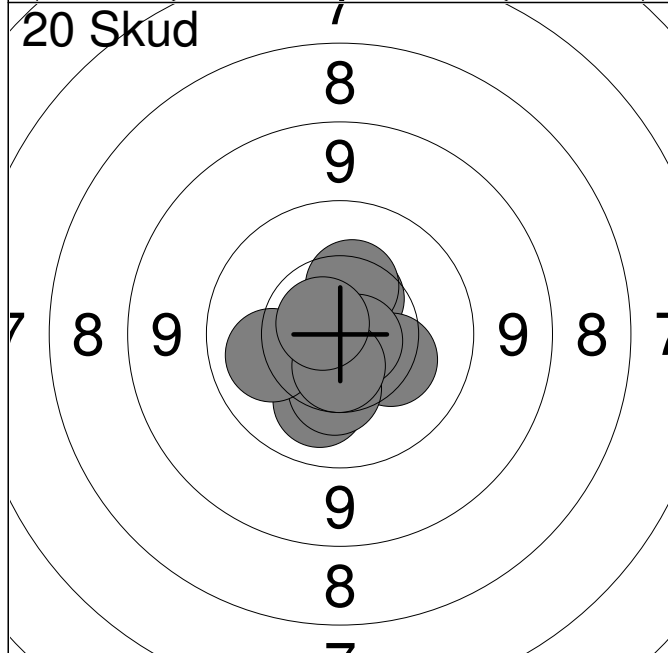
	1:	*10.8	↗
	2:	10.2	↗
	3:	10.2	↗
	4:	10.3	↗
	5:	10.3	↗
	6:	10.2	↗
	7:	10.2	←
	8:	10.6	↓
	9:	10.6	↗
	10:	9.8	↗
Serie			99.0
Total			99.0



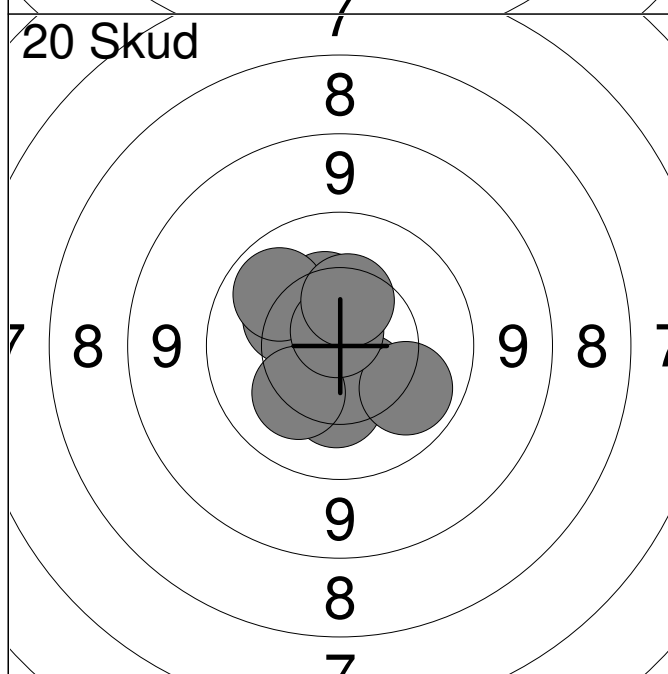
	11:	10.5	↗
	12:	10.6	←
	13:	10.2	↗
	14:	10.3	↗
	15:	10.0	↗
	16:	*10.7	←
	17:	*10.7	↗
	18:	10.3	←
	19:	10.0	↓
	20:	10.2	↖
Serie			100.0
Total			199.0



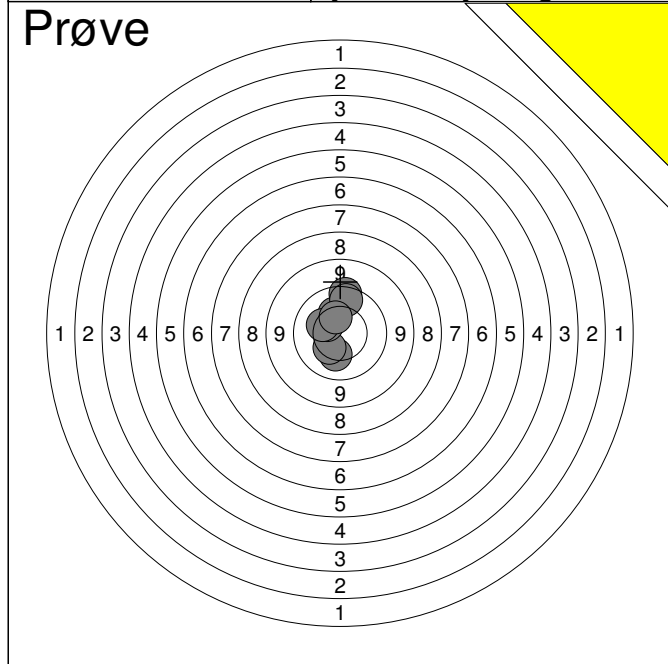
1:	8.8	↑
2:	8.3	↗
3:	10.3	↖
4:	10.1	↖
5:	9.9	↘
6:	10.2	↘
7:	10.2	↘
8:	10.4	↗
9:	10.2	↖
10:	10.6	↑
Serie		95.0
Total		0.0



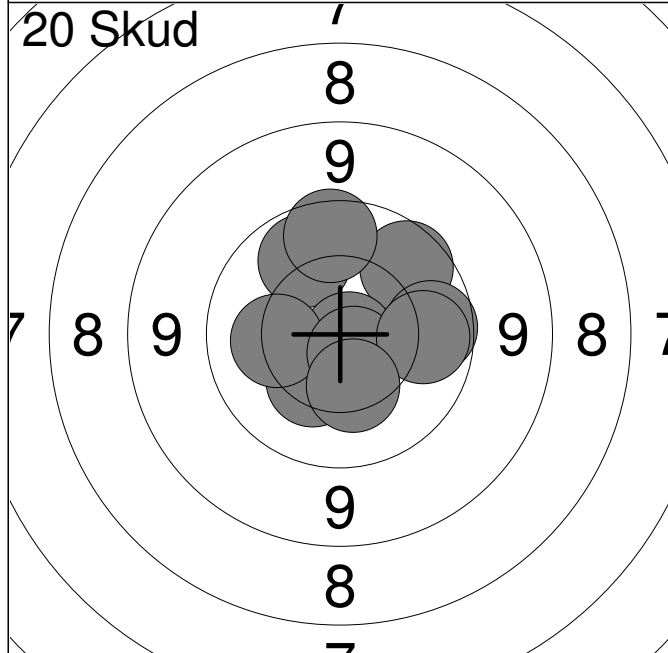
1:	10.5	↗
2:	10.4	↑
3:	10.3	↘
4:	*10.6	↖
5:	10.1	↘
6:	10.3	↘
7:	10.1	↖
8:	*10.8	↗
9:	10.6	↘
10:	*10.7	↗
Serie		100.0
Total		100.0



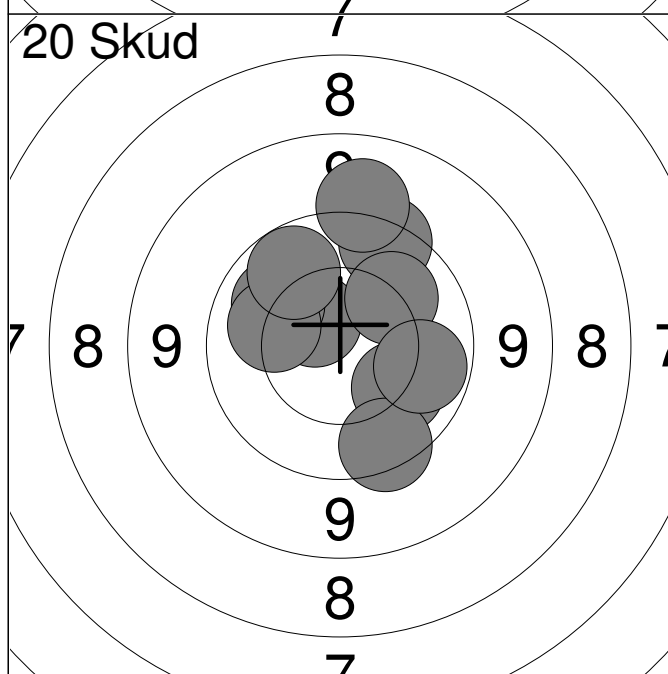
11:	10.6	↘
12:	10.3	↗
13:	10.4	↗
14:	10.5	↘
15:	10.3	↘
16:	10.2	↖
17:	10.0	↗
18:	10.0	↘
19:	*10.8	↑
20:	10.4	↑
Serie		100.0
Total		200.0



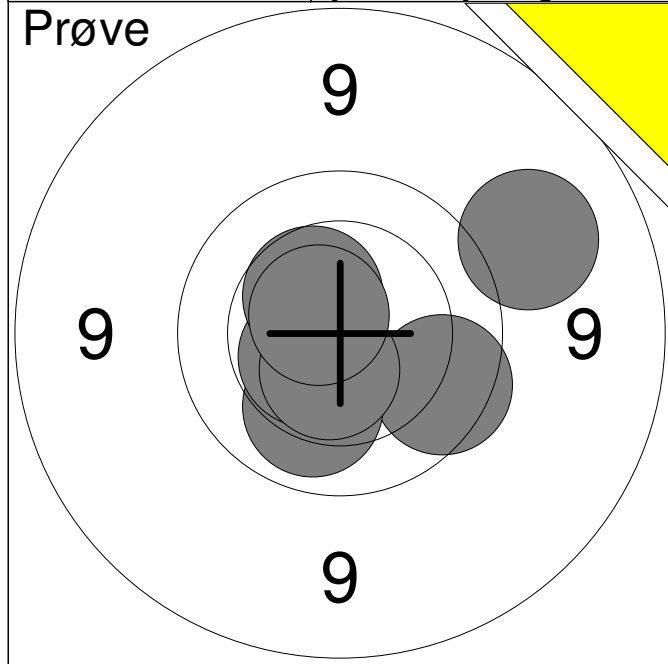
1:	10.3	↑
2:	9.6	↑
3:	10.2	↓
4:	10.3	↙
5:	10.4	↗
6:	10.3	↖
7:	0.0	↑
8:	9.8	↑
9:	10.4	↑
Serie		78.0
Total		0.0



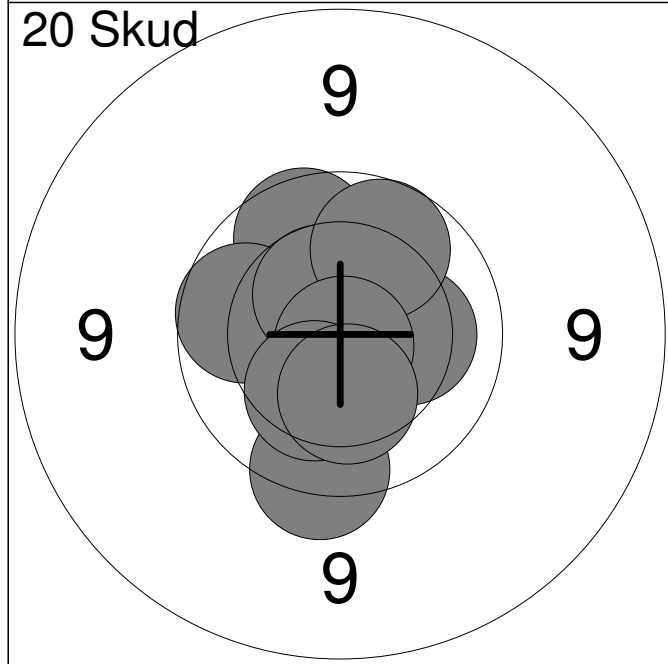
1:	10.3	↙
2:	9.9	↗
3:	9.9	→
4:	10.0	↗
5:	9.8	↑
6:	*10.8	↘
7:	10.2	←
8:	*10.7	↘
9:	10.0	→
10:	10.3	↓
Serie		97.0
Total		97.0



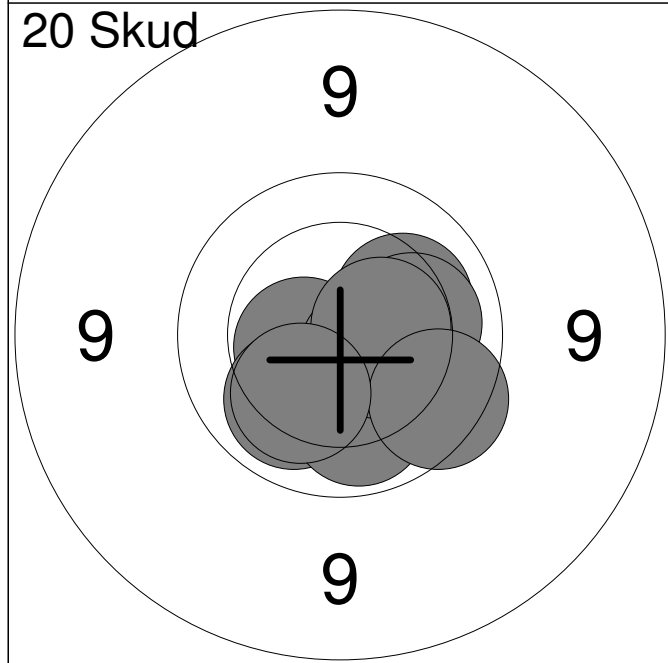
11:	10.1	↘
12:	10.5	↗
13:	10.1	↗
14:	10.1	↖
15:	9.6	↗
16:	9.2	↑
17:	9.7	↘
18:	10.1	↗
19:	10.0	→
20:	9.9	↗
Serie		96.0
Total		193.0



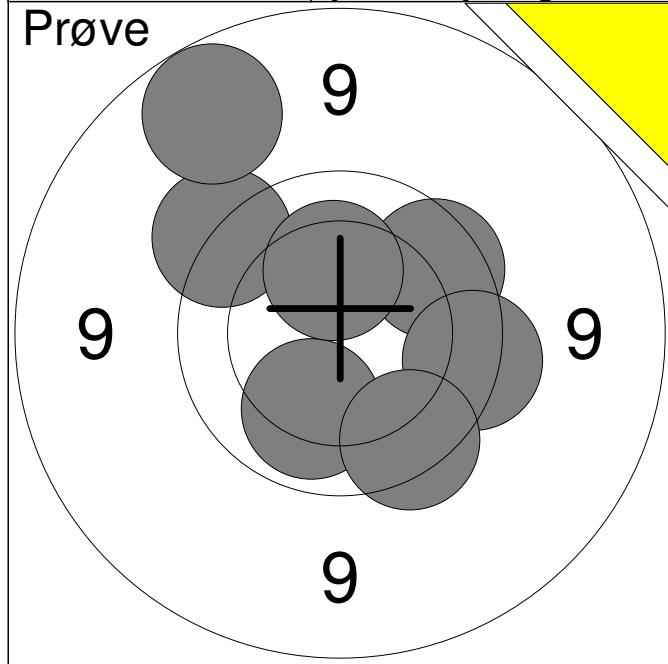
1:	9.8	↘
2:	9.2	→
3:	10.1	↓
4:	*10.5	↙
5:	10.4	↗
6:	*10.5	↓
7:	*10.6	↗
Serie		68.0
Total		0.0



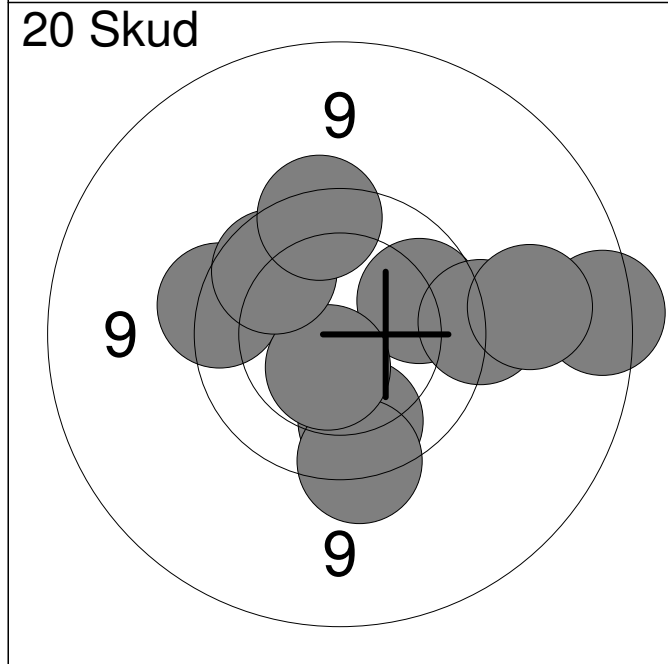
1:	9.9	↗
2:	9.9	↙
3:	10.5	↗
4:	10.2	→
5:	*10.6	↓
6:	9.9	↗
7:	9.7	↓
8:	*10.8	↓
9:	10.3	↙
10:	10.3	↓
Serie		96.0
Total		96.0



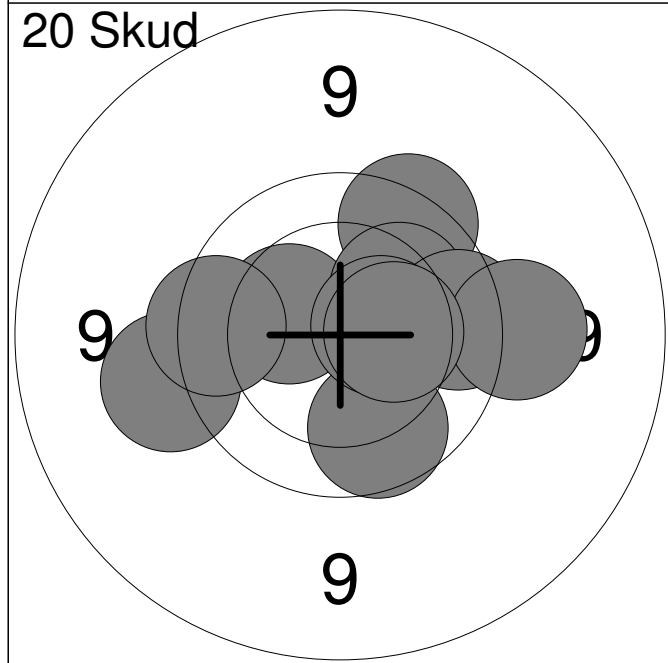
11:	*10.5	↙
12:	10.1	↙
13:	*10.6	↘
14:	10.2	→
15:	10.1	↓
16:	10.5	→
17:	10.2	→
18:	*10.5	→
19:	9.8	↘
20:	10.2	↙
Serie		99.0
Total		195.0



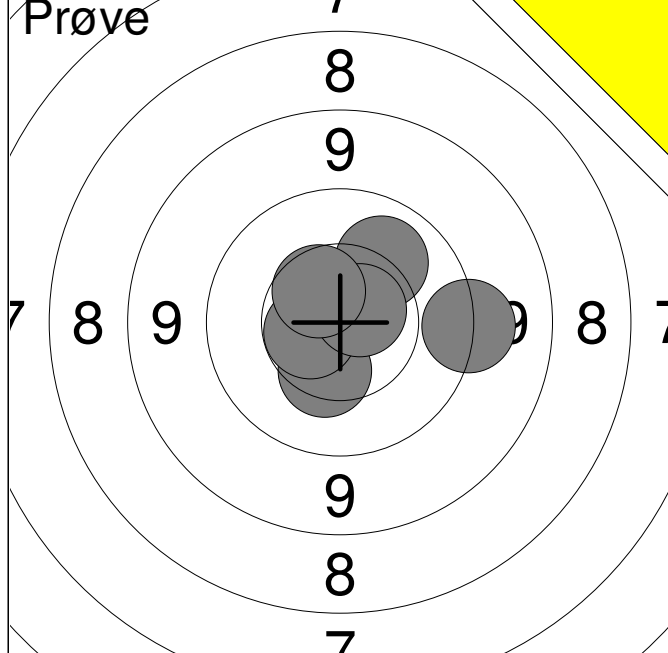
1:	10.1	↙
2:	9.6	↗
3:	9.8	↘
4:	9.7	→
5:	9.7	↙
6:	9.0	↗
7:	10.3	↑
Serie		65.0
Total		0.0



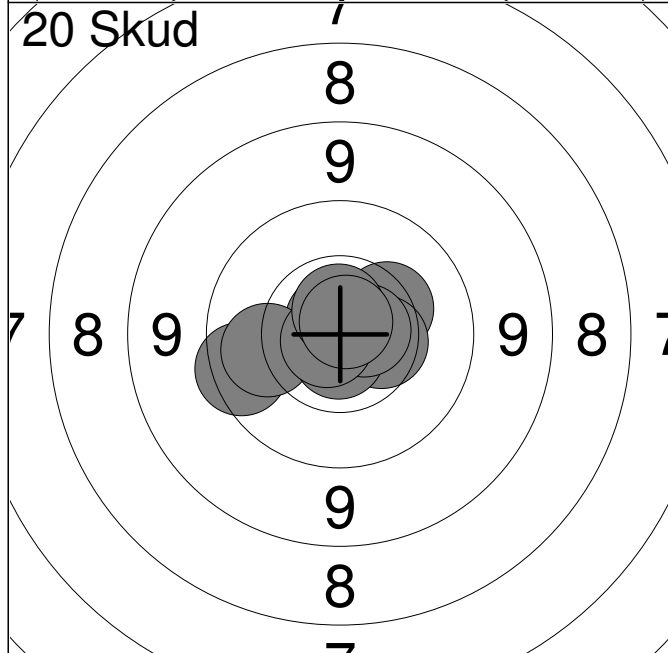
1:	9.7	←
2:	9.9	→
3:	8.8	→
4:	9.6	→
5:	9.9	↙
6:	9.6	↙
7:	*10.5	↙
8:	9.9	↗
9:	9.7	↑
10:	9.2	→
Serie		90.0
Total		90.0



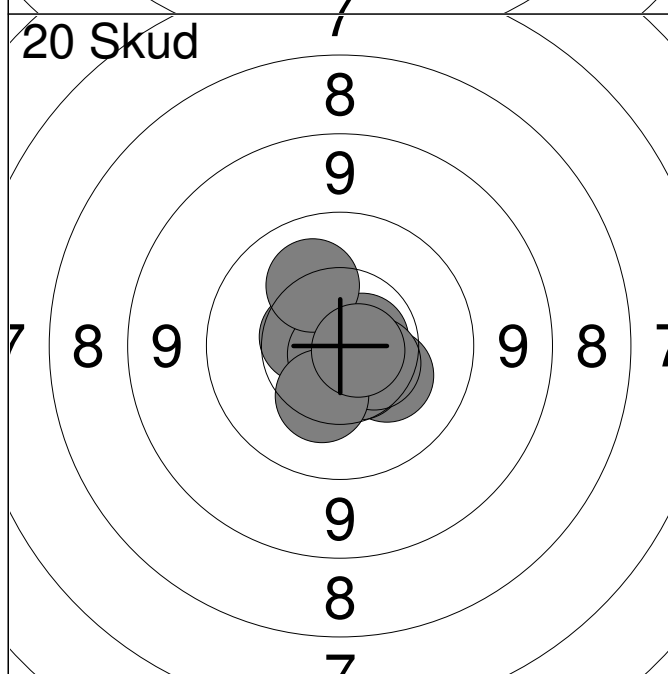
11:	9.4	←
12:	9.9	↙
13:	10.4	↖
14:	9.7	↗
15:	9.8	←
16:	10.2	↗
17:	9.8	→
18:	*10.5	→
19:	9.4	→
20:	10.4	→
Serie		94.0
Total		184.0



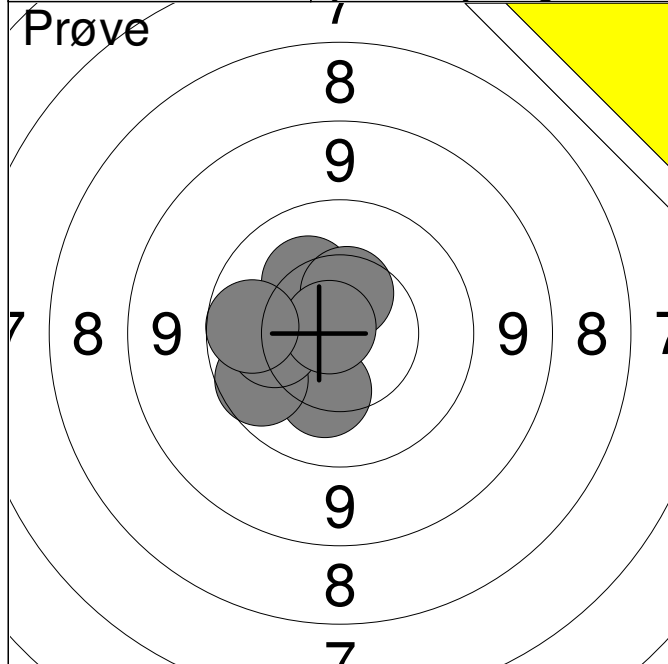
1:	9.4	→
2:	10.4	↓
3:	10.1	↗
4:	*10.8	↑
5:	*10.6	←
6:	*10.7	↗
7:	10.5	↖
Serie		69.0
Total		0.0



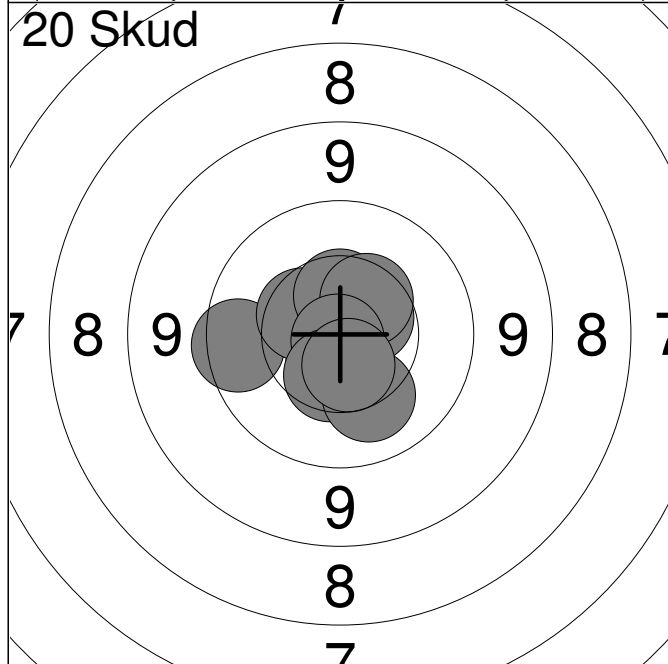
1:	10.3	↗
2:	9.7	←
3:	*10.8	↗
4:	10.1	←
5:	10.5	→
6:	*10.7	↓
7:	*10.7	→
8:	*10.8	←
9:	*10.7	↑
10:	*10.8	↗
Serie		99.0
Total		99.0



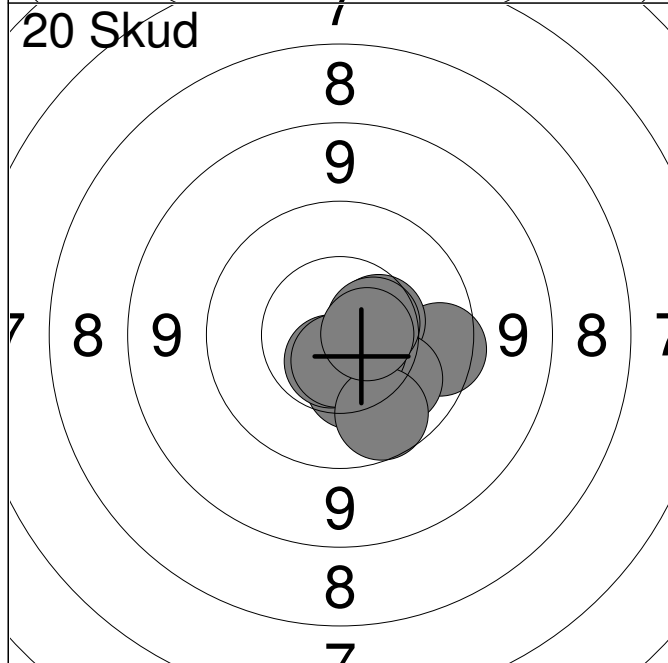
11:	10.5	↗
12:	10.5	←
13:	10.3	↘
14:	*10.8	↘
15:	10.6	↘
16:	*10.7	→
17:	10.5	↘
18:	10.3	↘
19:	10.2	↗
20:	*10.7	→
Serie		100.0
Total		199.0



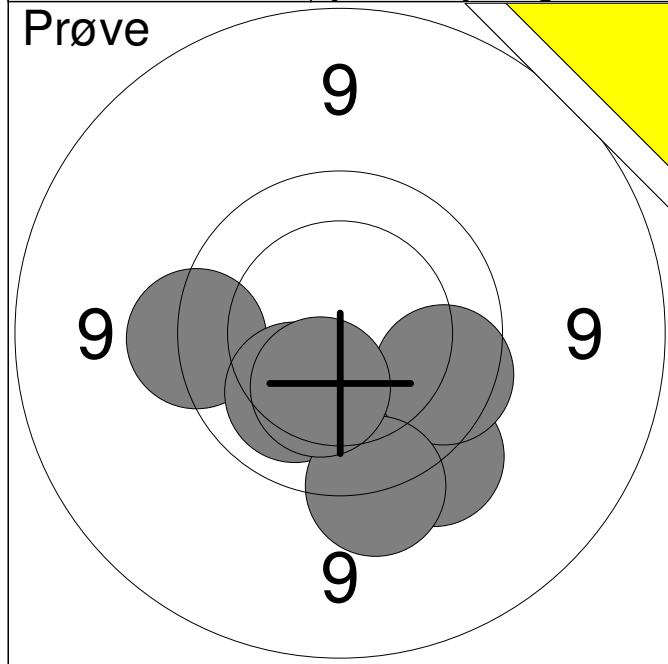
1:	10.3	↓
2:	9.9	↙
3:	10.2	←
4:	10.3	↗
5:	10.5	↑
6:	*10.8	↖
7:	9.9	←
Serie		68.0
Total		0.0



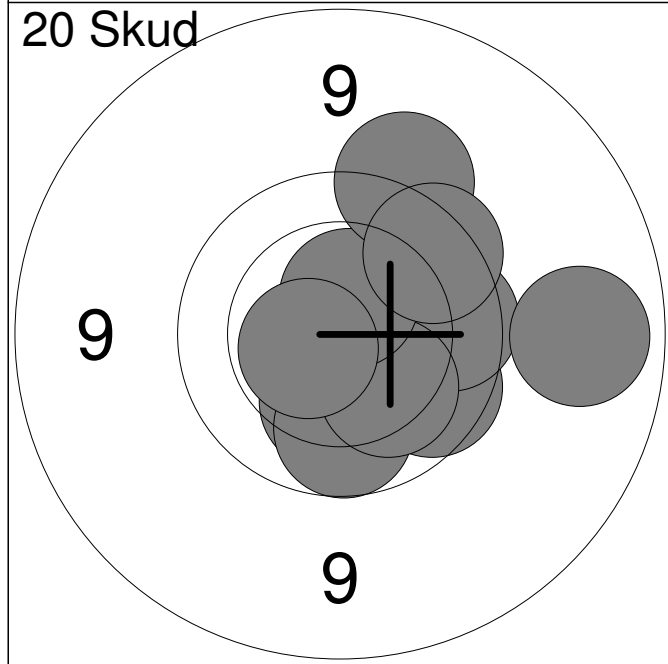
1:	9.7	←
2:	10.6	↗
3:	*10.6	↓
4:	10.5	↖
5:	10.5	↑
6:	10.4	↗
7:	*10.9	↓
8:	10.5	↓
9:	10.2	↓
10:	10.6	↓
Serie		99.0
Total		99.0



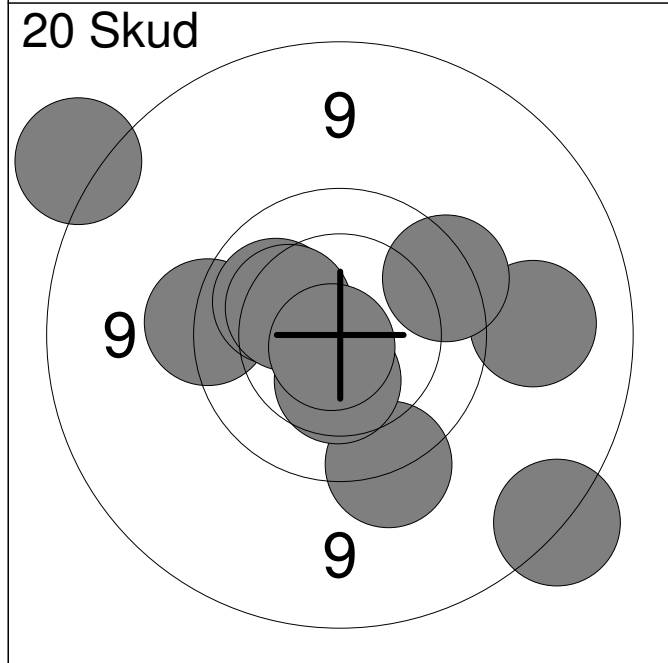
11:	10.4	↓
12:	9.8	→
13:	10.5	↗
14:	*10.6	↓
15:	10.1	↘
16:	*10.7	↓
17:	*10.7	↓
18:	9.9	↓
19:	10.5	↗
20:	*10.6	→
Serie		98.0
Total		197.0



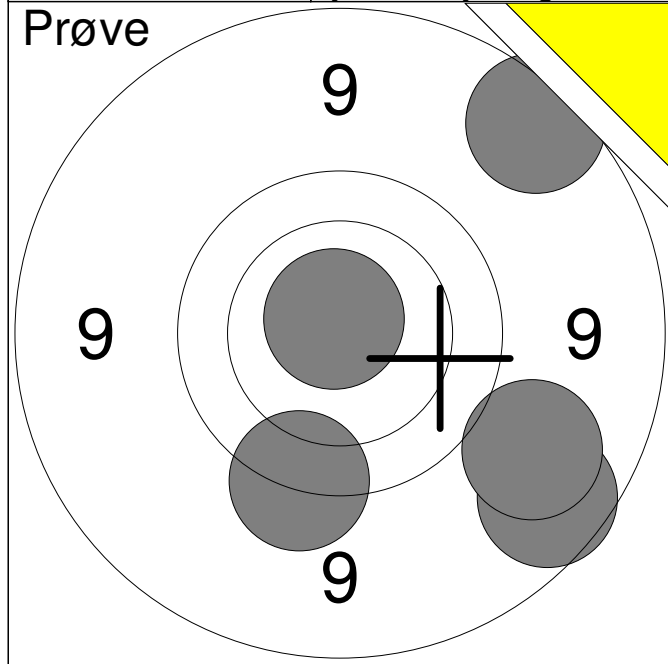
1:	9.6	↘
2:	9.8	→
3:	9.6	←
4:	10.1	↙
5:	9.6	↓
6:	10.3	↘
Serie		56.0
Total		0.0



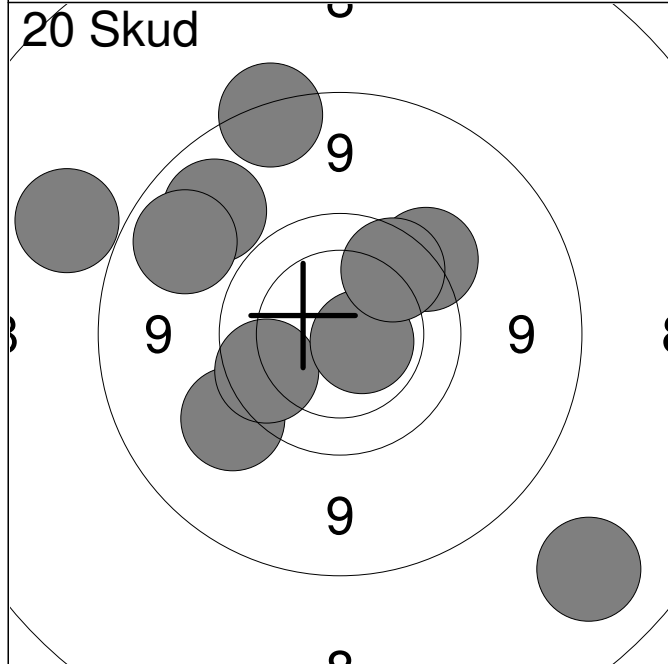
1:	9.9	↘
2:	9.8	→
3:	10.2	↓
4:	9.0	→
5:	9.9	↓
6:	10.2	↘
7:	*10.6	↑
8:	9.5	↑
9:	*10.6	←
10:	9.8	↗
Serie		94.0
Total		94.0



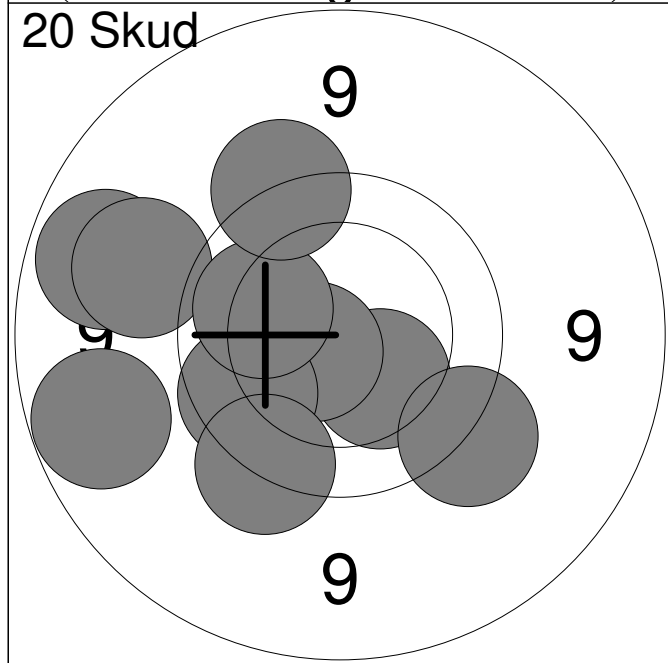
11:	9.6	←
12:	10.1	↗
13:	9.2	→
14:	8.7	↘
15:	9.7	↗
16:	10.3	↗
17:	9.6	↓
18:	8.6	↗
19:	10.4	↓
20:	*10.8	↘
Serie		92.0
Total		186.0



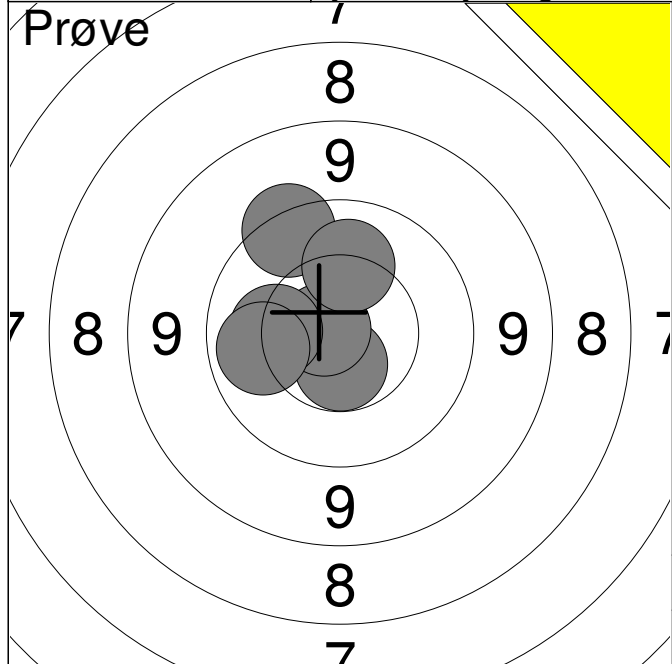
1:	*10.8	↖
2:	8.8	↗
3:	8.9	↘
4:	9.1	↘
5:	9.6	↘
Serie		44.0
Total		0.0



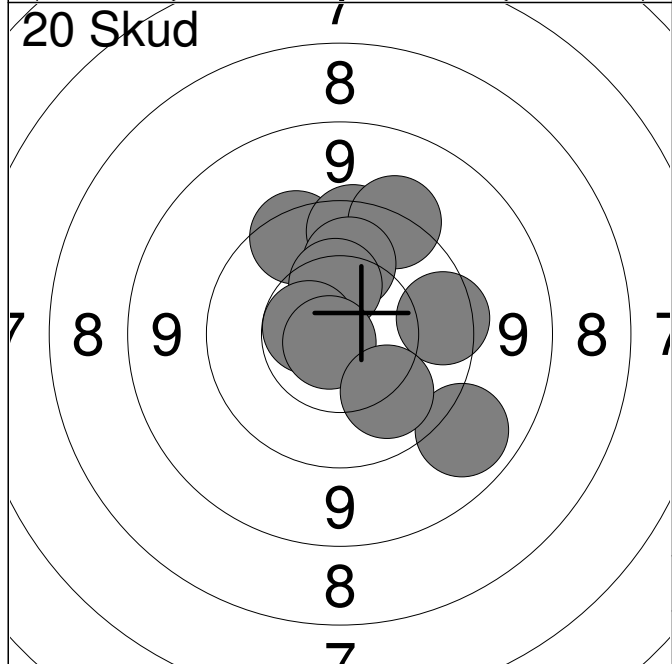
1:	9.4	↖
2:	9.1	↗
3:	8.4	↗
4:	9.8	↖
5:	9.6	↗
6:	8.7	↗
7:	8.1	↘
8:	9.0	↗
9:	*10.6	↘
10:	9.8	↗
Serie		88.0
Total		88.0



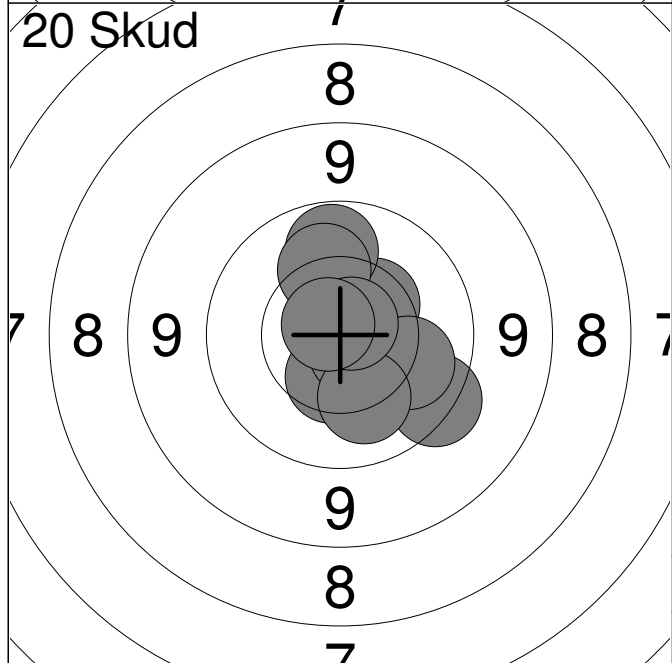
11:	9.0	↖
12:	10.3	↘
13:	*10.6	↖
14:	9.8	↖
15:	9.5	↘
16:	9.2	↗
17:	10.1	↗
18:	9.6	↘
19:	9.6	↗
20:	9.0	↖
Serie		93.0
Total		181.0



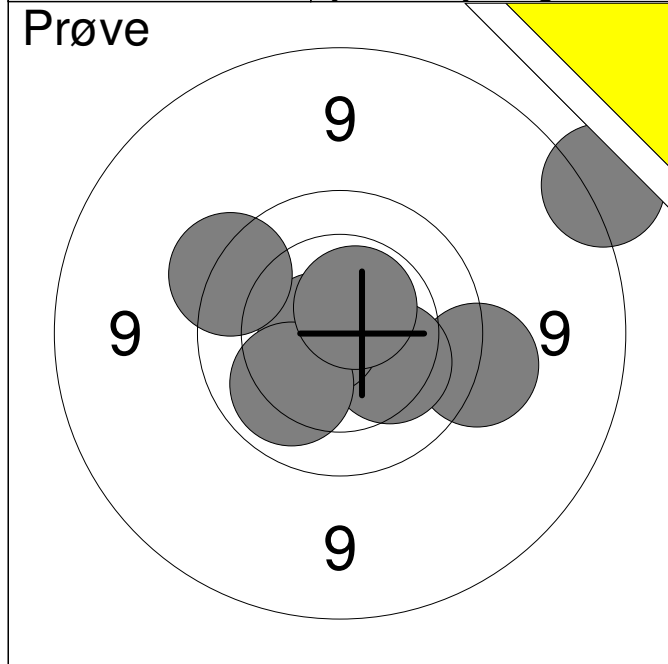
1:	9.6	↗
2:	*10.6	↓
3:	*10.8	↖
4:	10.2	←
5:	10.0	↖
6:	10.2	↑
Serie		59.0
Total		0.0



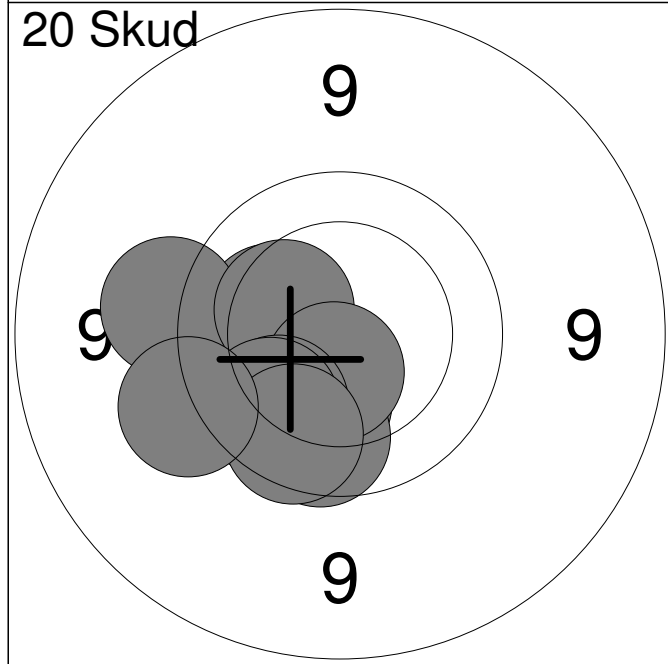
1:	9.7	↖
2:	9.7	↑
3:	9.5	↗
4:	10.1	↑
5:	10.4	↑
6:	10.6	↖
7:	9.1	↘
8:	*10.8	↖
9:	9.7	→
10:	10.1	↘
Serie		95.0
Total		95.0



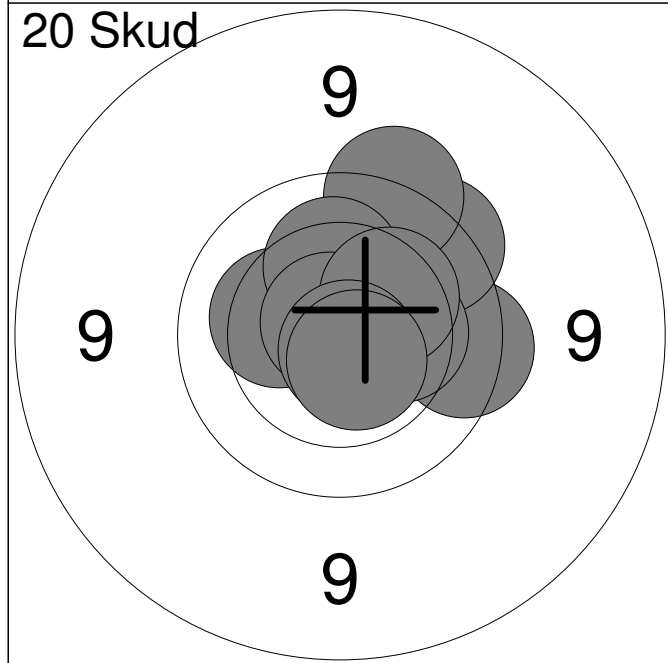
11:	10.4	↗
12:	10.5	↓
13:	9.6	↘
14:	10.0	↑
15:	10.2	↑
16:	*10.7	↘
17:	10.1	↗
18:	10.2	↘
19:	*10.8	↗
20:	*10.8	↖
Serie		99.0
Total		194.0



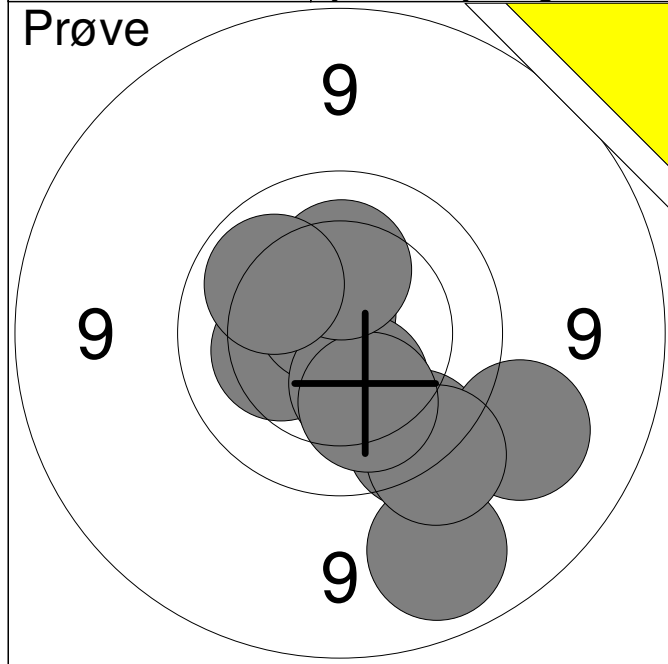
1:	8.6	↗
2:	9.5	→
3:	10.2	↘
4:	*10.7	←
5:	10.1	↙
6:	9.6	↖
7:	*10.6	↗
Serie		66.0
Total		0.0



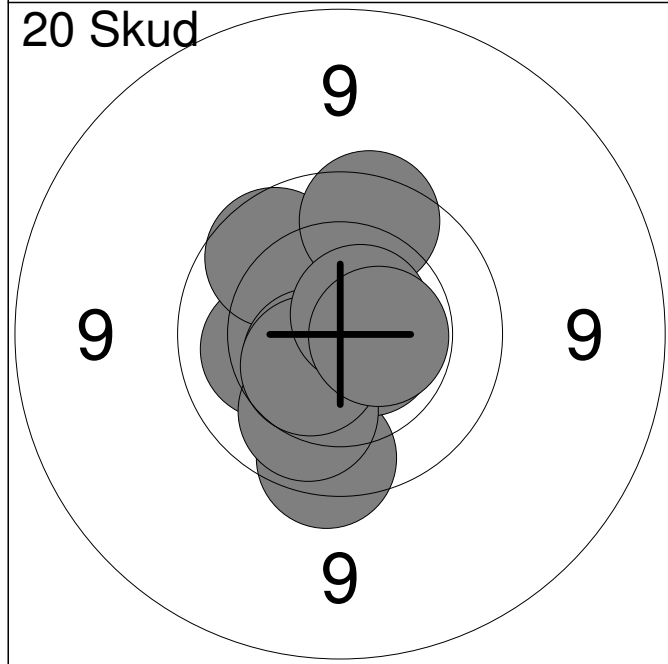
1:	10.2	↓
2:	10.2	←
3:	9.5	←
4:	10.3	↖
5:	9.9	↓
6:	*10.5	↓
7:	9.9	↙
8:	9.9	↙
9:	9.8	↓
10:	9.5	↖
Serie		94.0
Total		94.0



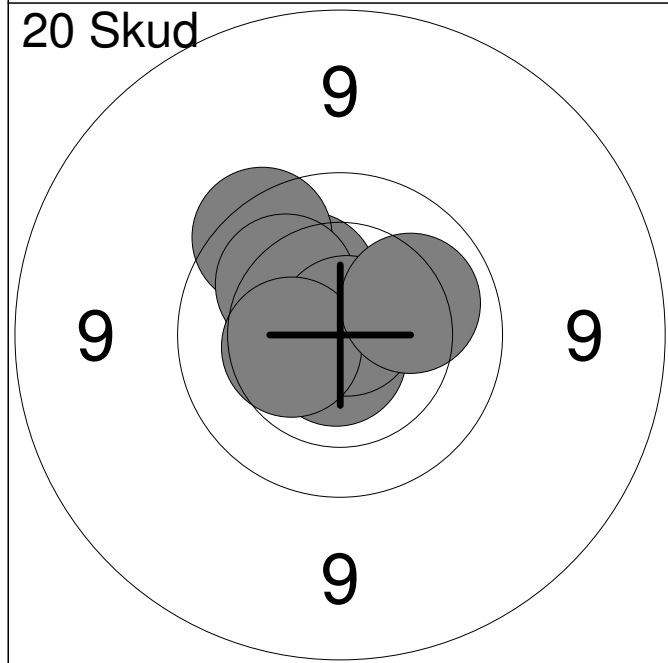
11:	10.3	←
12:	9.8	→
13:	9.7	↗
14:	10.3	→
15:	9.6	↗
16:	10.2	↑
17:	*10.8	↗
18:	10.3	↗
19:	*10.8	↓
20:	*10.6	↓
Serie		97.0
Total		191.0



1:	9.7	↘
2:	9.1	↘
3:	9.3	↘
4:	9.6	↘
5:	10.3	↙
6:	*10.7	↗
7:	10.4	↘
8:	10.1	↘
9:	10.3	↗
10:	10.1	↗
Serie		96.0
Total		0.0



1:	10.2	↙
2:	9.8	↘
3:	9.9	↗
4:	*10.6	↙
5:	*10.6	↘
6:	9.8	↗
7:	10.0	↘
8:	10.5	↙
9:	*10.6	↗
10:	*10.5	→
Serie		97.0
Total		97.0

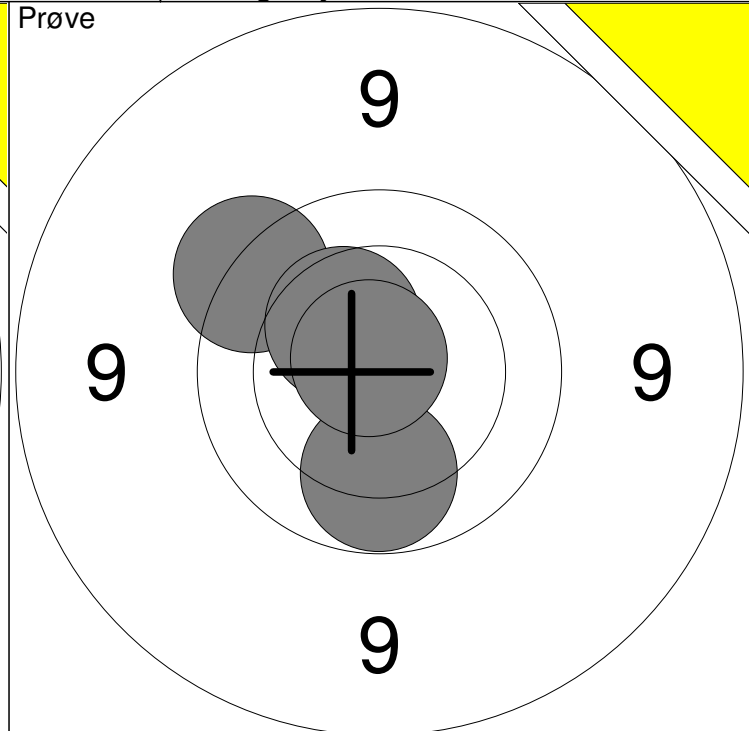
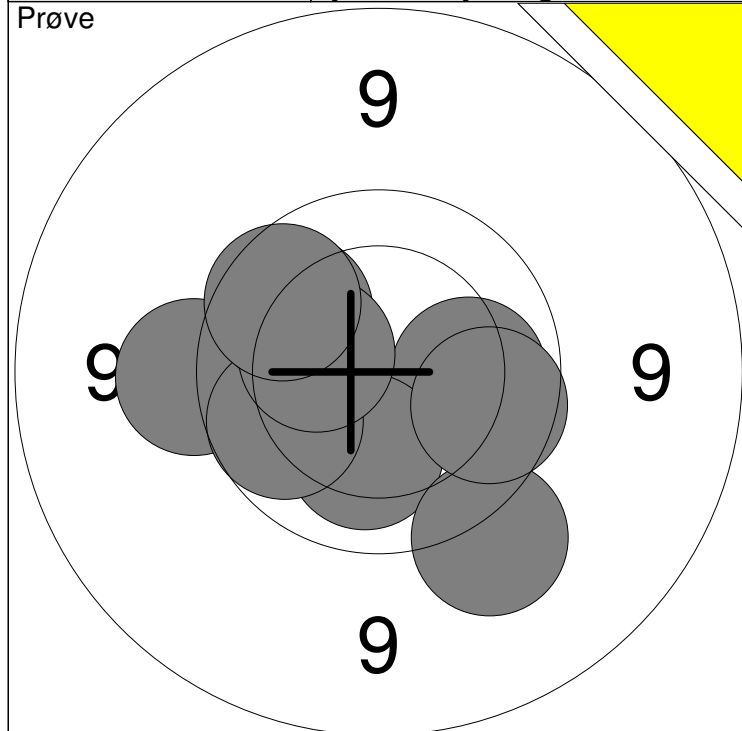


11:	*10.7	↘
12:	10.4	↗
13:	10.5	↙
14:	*10.6	↗
15:	10.3	↗
16:	9.8	↗
17:	10.1	↗
18:	*10.8	↗
19:	10.4	↙
20:	10.1	↗
Serie		99.0
Total		196.0

Hold 16	Skive 10	Bent Andersen	
-------------------	--------------------	----------------------	--

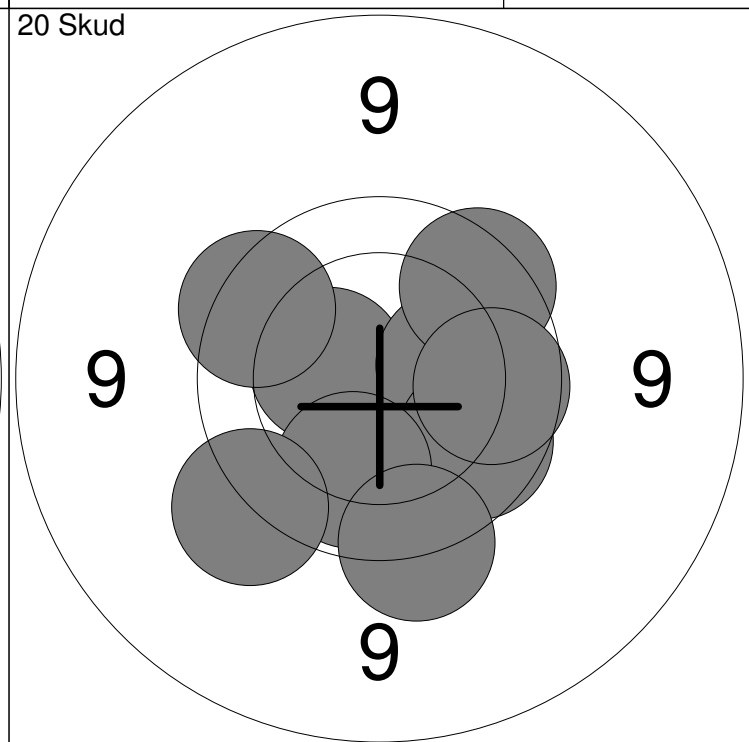
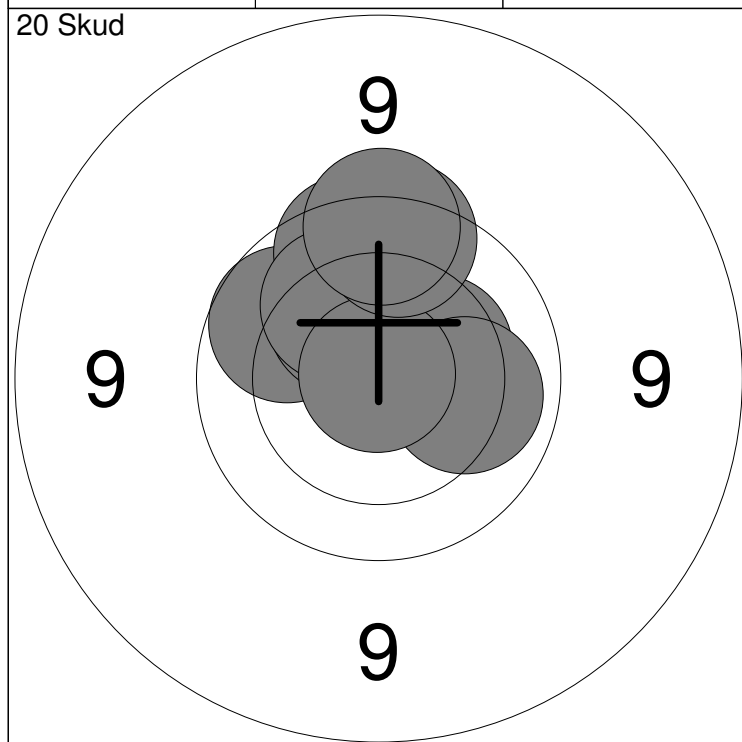
15m	Vodskov Skytteforening	ÅK3
-----	------------------------	-----

Jyllandsskydning	Aalborg Skyttekreds
------------------	---------------------



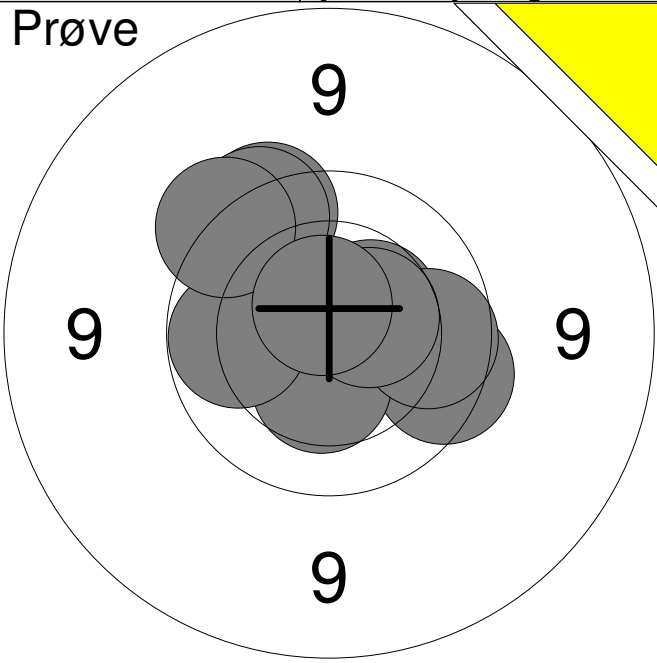
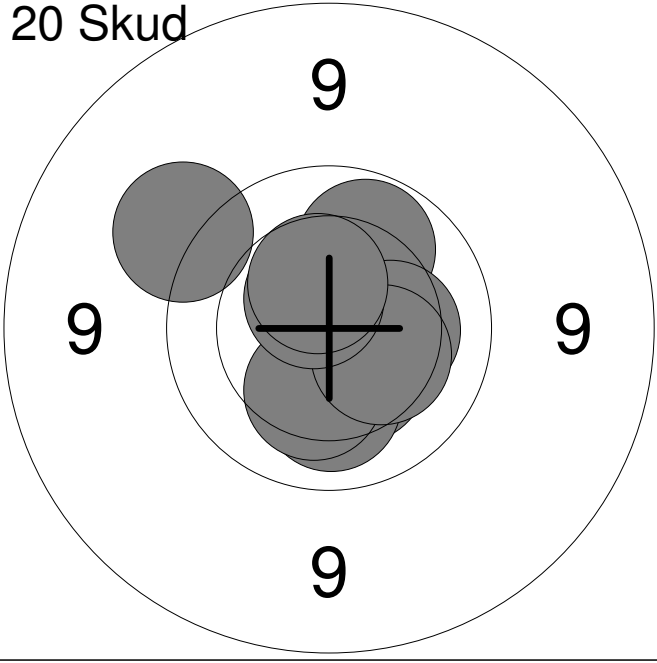
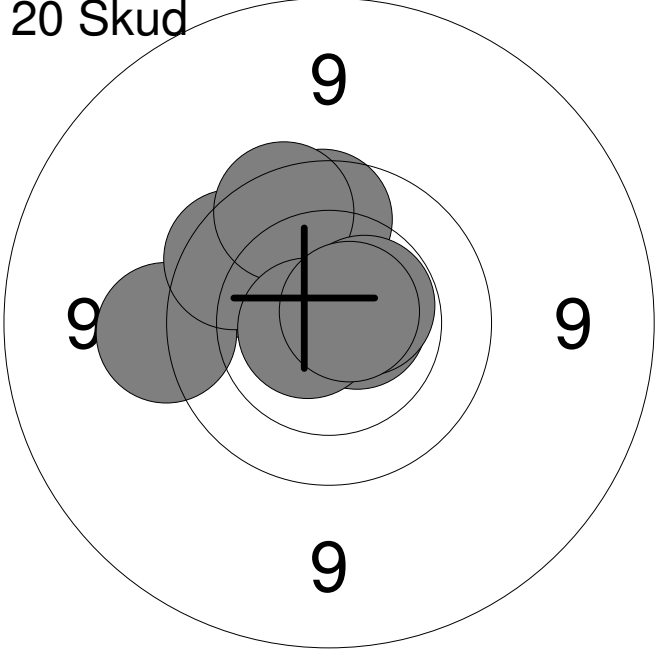
1: 10.4 ←	6: 9.9 ↙	Serie	95.0
2: 10.1 →	7: 10.0 ↗		
3: 9.5 ←	8: 10.3 ↙	Total	0.0
4: 10.2 ↓	9: 9.9 ↗		
5: 9.4 ↘	10: 9.9 →		

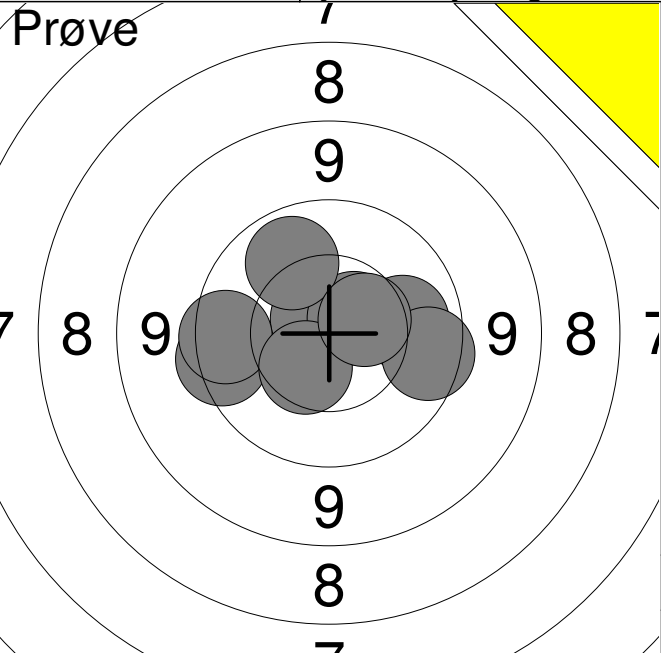
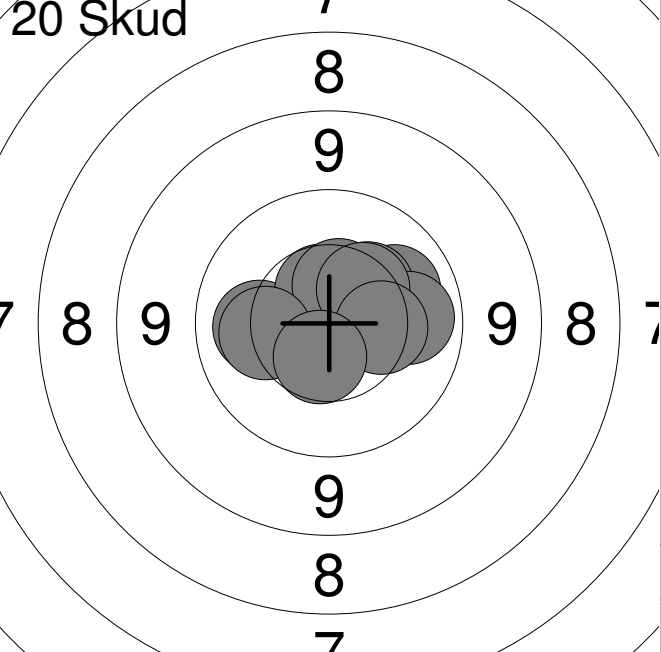
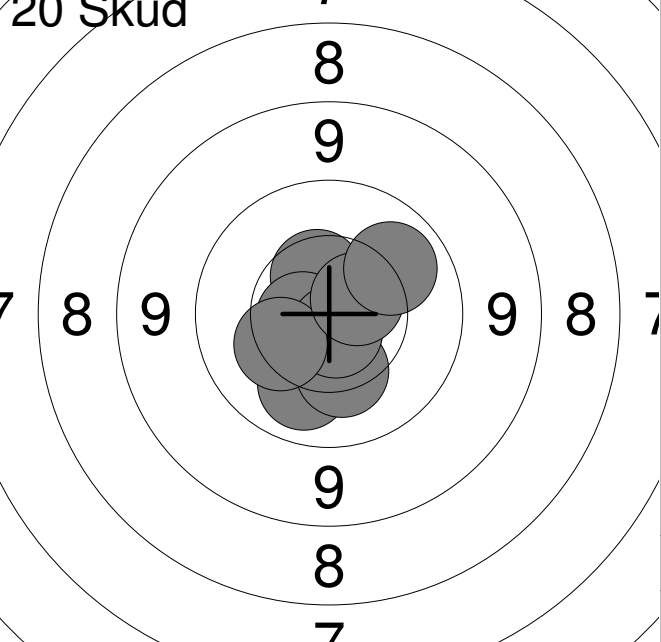
11: 10.0 ↓	Serie	39.0
12: 9.6 ↗		
13: 10.4 ↗	Total	0.0
14: *10.8 ↗		

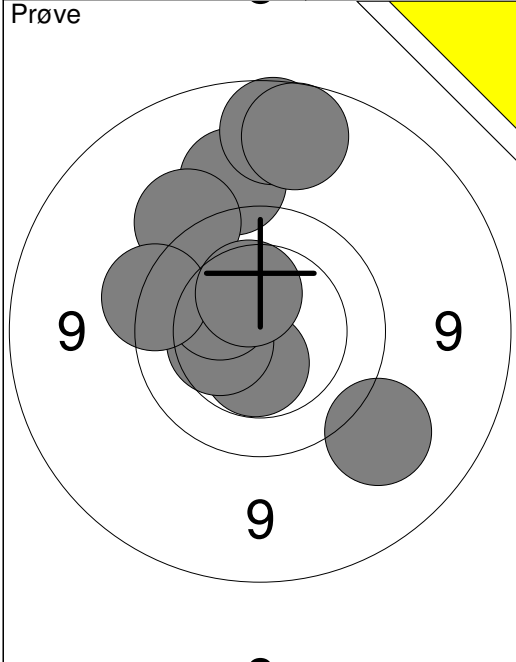


1: 10.5 ↑	6: 10.3 ↗	Serie	96.0
2: 10.4 ↗	7: 10.1 ↗		
3: 9.9 ↙	8: *10.9 ↑	Total	96.0
4: 10.1 →	9: 9.7 ↑		
5: 9.8 ↑	10: 9.7 ↑		

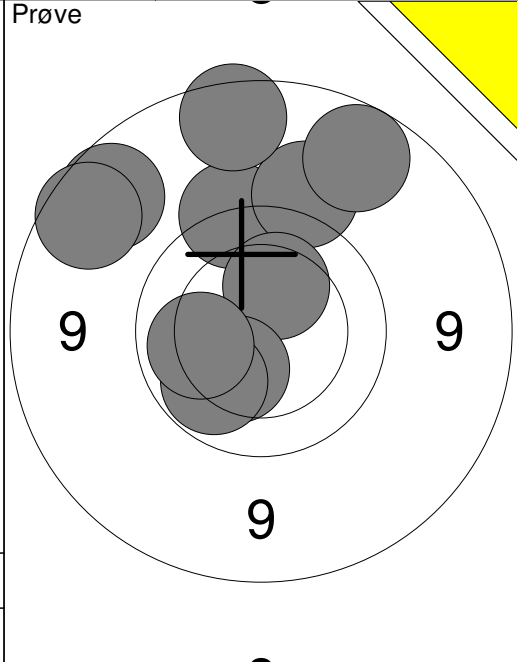
11: 10.4 ↘	16: 9.8 ↗	Serie	94.0
12: 10.4 ↙	17: 9.9 →		
13: 10.2 →	18: 9.5 ↙	Total	190.0
14: 9.9 ↘	19: 9.6 ↓		
15: 10.0 ↓	20: 9.7 ↙		

Hold	Skive	Jens Kartoff	
16	11		
15m	Vodskov Skytteforening	ÅK2	
	Jyllandsskydning	Aalborg Skyttekreds	
Prøve		1: 9.7 ↗ 2: 9.7 ↗ 3: 9.8 → 4: 10.4 ↗ 5: 10.4 ↓ 6: 10.0 ← 7: 9.9 → 8: 9.6 ↗ 9: 10.5 ↗ 10: *10.6 ↑	
		Serie	95.0
		Total	0.0
20 Skud		1: 10.4 ↓ 2: 10.2 ↓ 3: 9.4 ↗ 4: 10.0 ↗ 5: *10.6 ↓ 6: 10.3 ↓ 7: 10.3 → 8: 10.3 ↓ 9: *10.6 ↑ 10: 10.5 ↑	
		Serie	99.0
		Total	99.0
20 Skud		11: *10.6 → 12: 10.2 ↗ 13: 9.5 ← 14: *10.6 ↗ 15: 9.8 ↗ 16: 9.9 ↑ 17: 9.8 ↗ 18: *10.5 → 19: *10.7 ← 20: *10.7 ↗	
		Serie	96.0
		Total	195.0

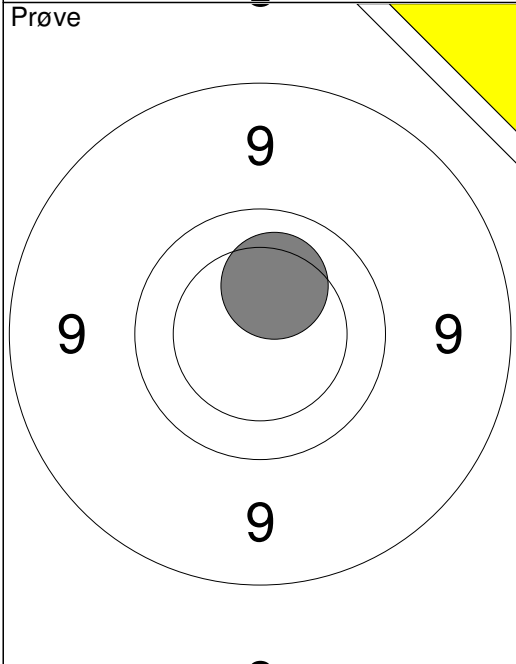
	Jyllandsskydning	Aalborg Skyttekreds
Prøve 	7	1: *10.7 ↗
	8	2: 10.1 →
	9	3: 9.8 →
	9	4: 9.7 ←
	8	5: 9.7 ←
	7	6: *10.6 ↗
	7	7: 10.5 ↘
	8	8: 10.0 ↗
	9	9: 10.5 →
	8	Serie 87.0
7	Total 0.0	
20 Skud 	7	1: 10.1 ←
	8	2: 10.1 ↗
	9	3: 10.6 ↑
	9	4: 10.5 ↑
	8	5: 10.3 ↗
	7	6: 10.2 ←
	7	7: 10.0 →
	8	8: 10.4 ↗
	9	9: 10.3 →
	8	10: 10.5 ↓
7	Serie 100.0	
7	Total 100.0	
20 Skud 	7	11: *10.6 ↑
	8	12: *10.7 ↘
	9	13: 10.1 ↘
	9	14: 10.3 ↘
	8	15: 10.5 ↑
	7	16: *10.6 ←
	7	17: *10.7 ↘
	8	18: 10.3 ←
	9	19: 10.6 ↗
	8	20: 10.1 ↗
7	Serie 100.0	
7	Total 200.0	



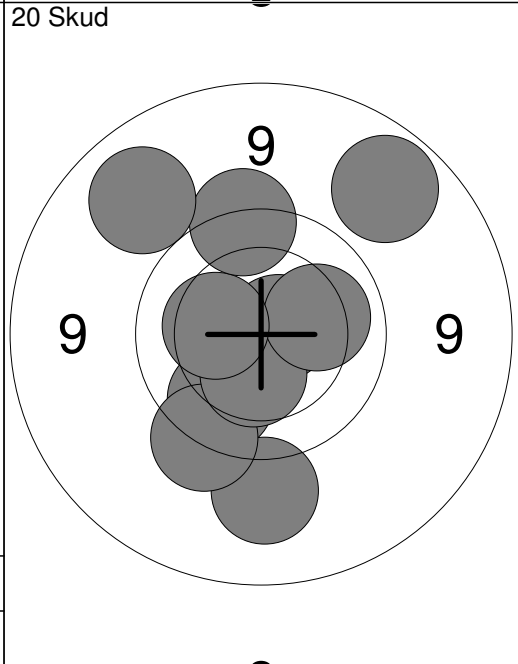
1:	*10.5	↓
2:	9.3	↑
3:	8.9	↑
4:	10.4	←
5:	10.3	↖
6:	9.5	↗
7:	9.3	↘
8:	9.6	←
9:	8.9	↑
10:	10.4	↗
Serie		92.0
Total		0.0



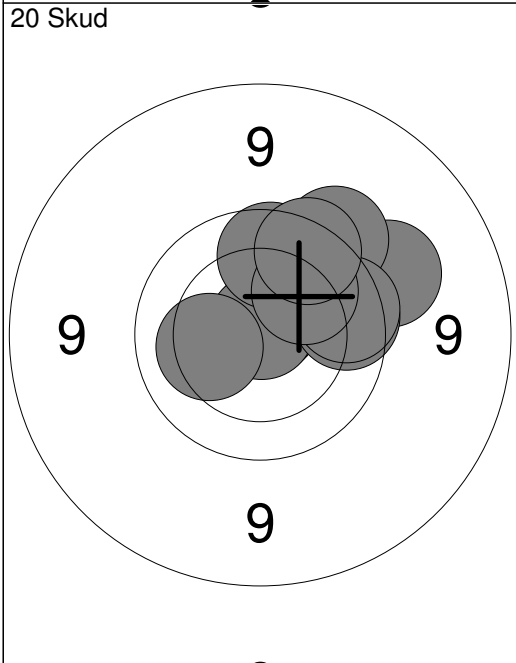
11:	9.6	↑
12:	9.4	↑
13:	8.9	↖
14:	10.3	↗
15:	8.9	↑
16:	8.9	↗
17:	8.9	↖
18:	10.3	↘
19:	10.0	↘
20:	10.1	←
Serie		90.0
Total		0.0



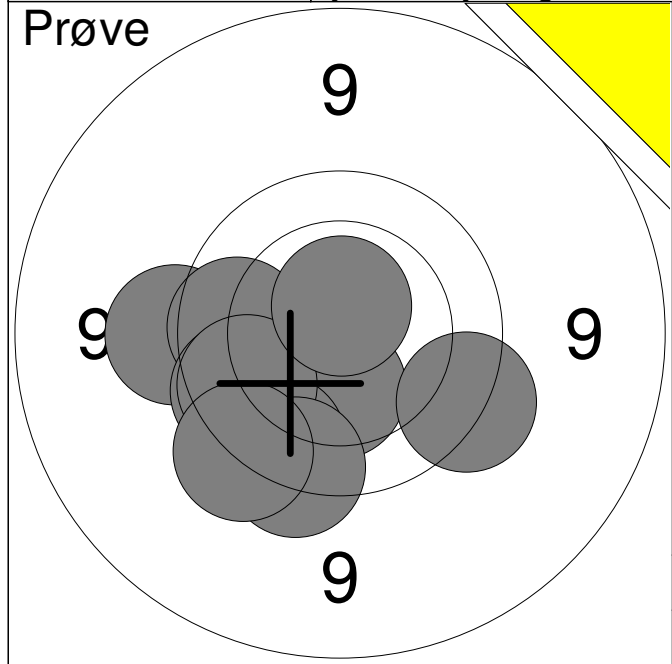
21:	10.2	↗
Serie		10.0
Total		0.0



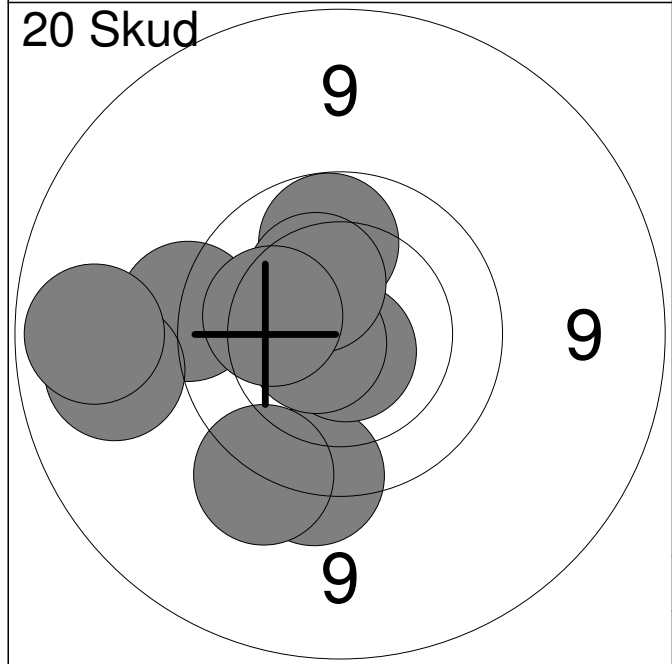
1:	9.9	↘
2:	9.3	↓
3:	*10.7	→
4:	9.6	↘
5:	10.4	↓
6:	10.1	→
7:	10.3	←
8:	9.0	↗
9:	9.6	↑
10:	9.1	↖
Serie		94.0
Total		94.0



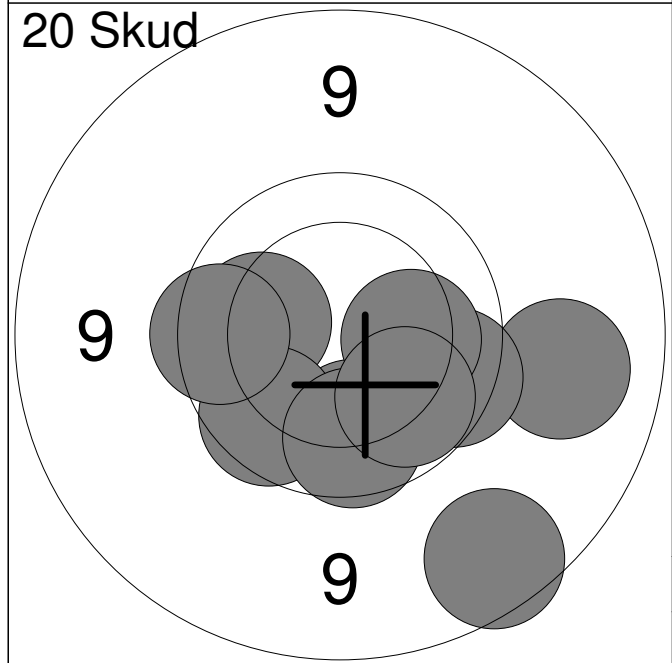
11:	9.4	↗
12:	*10.7	↗
13:	*10.8	↑
14:	9.9	↑
15:	9.6	↗
16:	9.8	→
17:	9.8	→
18:	10.2	←
19:	10.1	↗
20:	9.8	↗
Serie		94.0
Total		188.0



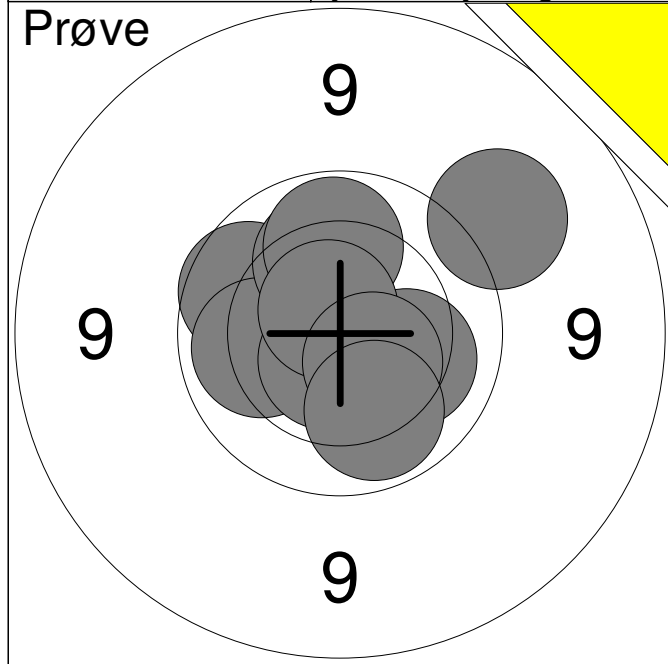
1:	9.5	←
2:	10.3	↓
3:	9.7	↙
4:	9.9	←
5:	9.6	→
6:	9.8	↙
7:	9.9	←
8:	*10.7	↑
9:	9.7	↓
10:	9.6	↙
Serie		92.0
Total		0.0



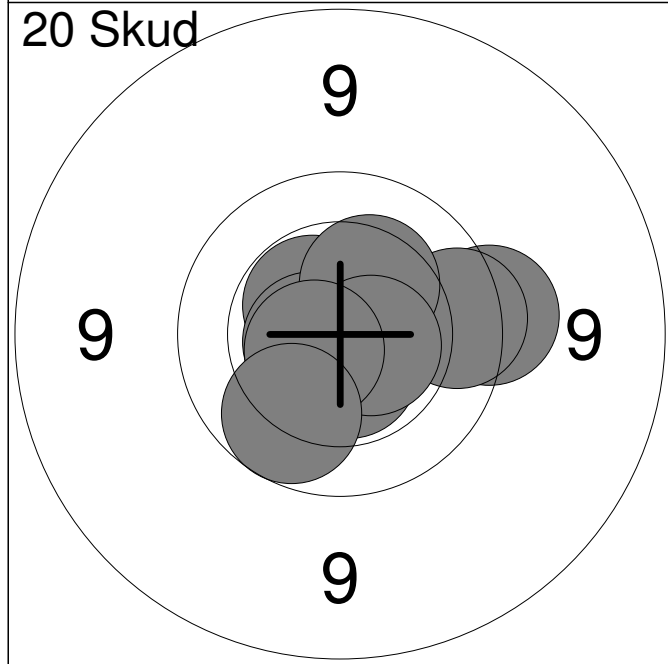
1:	10.0	↑
2:	9.6	↓
3:	9.6	←
4:	*10.8	↓
5:	*10.7	←
6:	9.5	↙
7:	10.3	↑
8:	9.1	←
9:	10.2	←
10:	9.0	←
Serie		95.0
Total		95.0



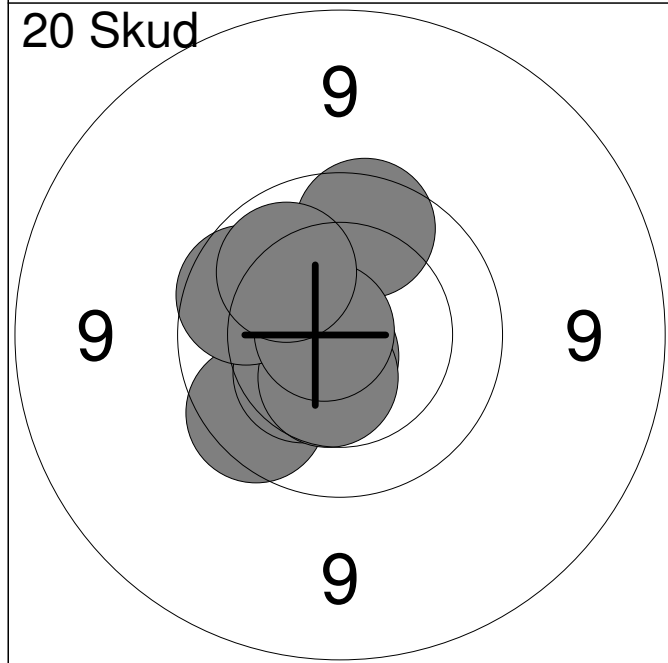
11:	9.2	→
12:	9.9	↓
13:	10.1	←
14:	9.9	↙
15:	9.8	→
16:	9.9	↓
17:	10.2	→
18:	10.0	↙
19:	9.8	←
20:	8.9	↙
Serie		92.0
Total		187.0



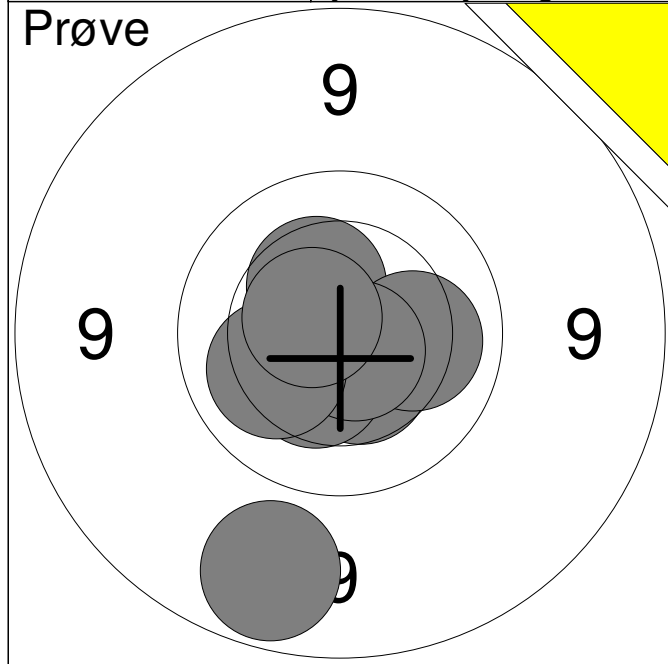
1:	9.9	↖
2:	10.1	←
3:	10.2	↑
4:	9.3	↗
5:	10.0	↑
6:	*10.6	↘
7:	10.2	→
8:	*10.7	↗
9:	10.5	↘
10:	10.0	↘
Serie		98.0
Total		0.0



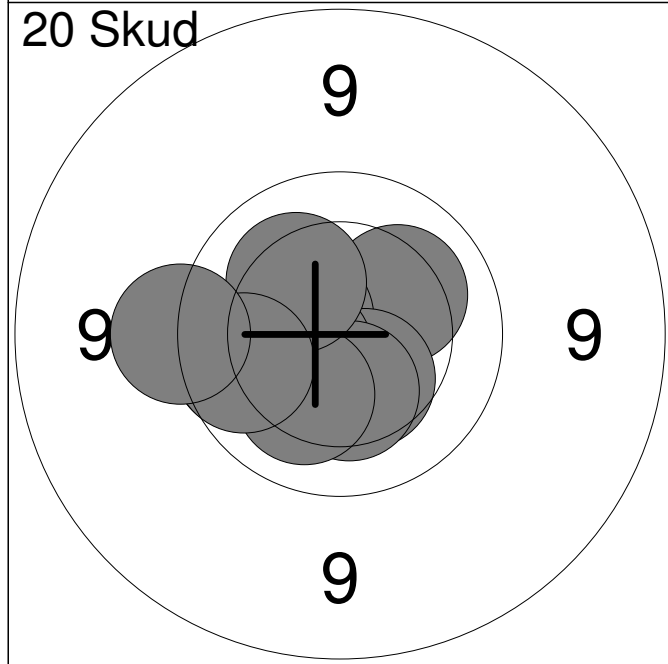
1:	*10.5	↗
2:	9.6	→
3:	9.8	→
4:	*10.6	←
5:	*10.6	↘
6:	*10.6	↘
7:	10.3	↗
8:	*10.6	→
9:	*10.6	←
10:	9.9	↘
Serie		97.0
Total		97.0



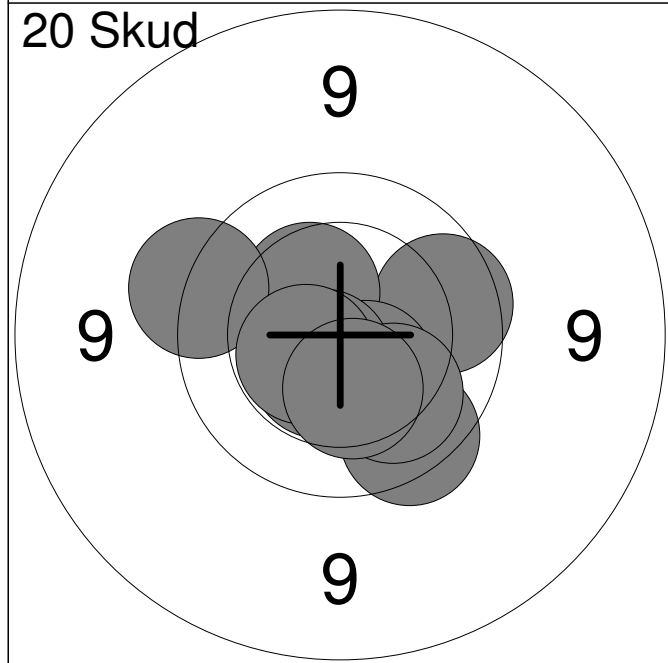
11:	*10.7	↖
12:	*10.7	↘
13:	9.8	↖
14:	*10.6	←
15:	10.4	↖
16:	10.5	↘
17:	9.8	↑
18:	9.9	↗
19:	*10.8	←
20:	10.1	↗
Serie		97.0
Total		194.0



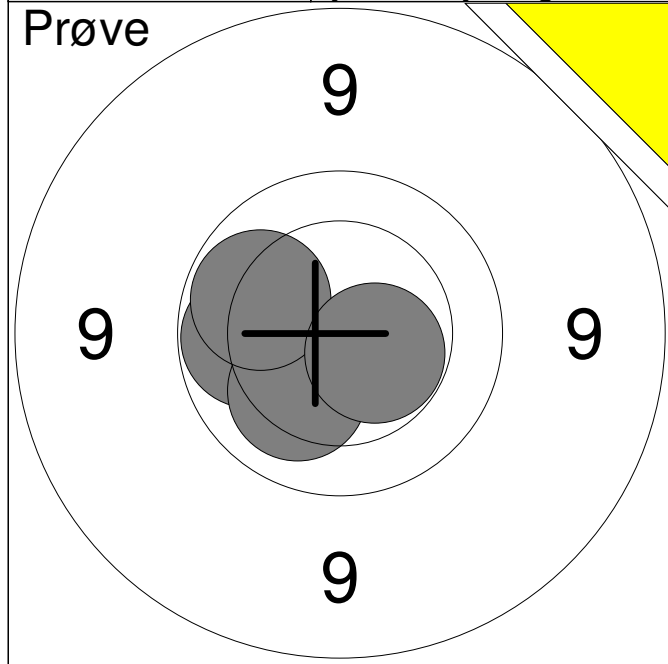
1:	9.0	↘
2:	10.5	↘
3:	10.4	↗
4:	10.2	→
5:	10.4	↘
6:	*10.6	←
7:	*10.7	↘
8:	10.2	←
9:	*10.6	↗
Serie		89.0
Total		0.0



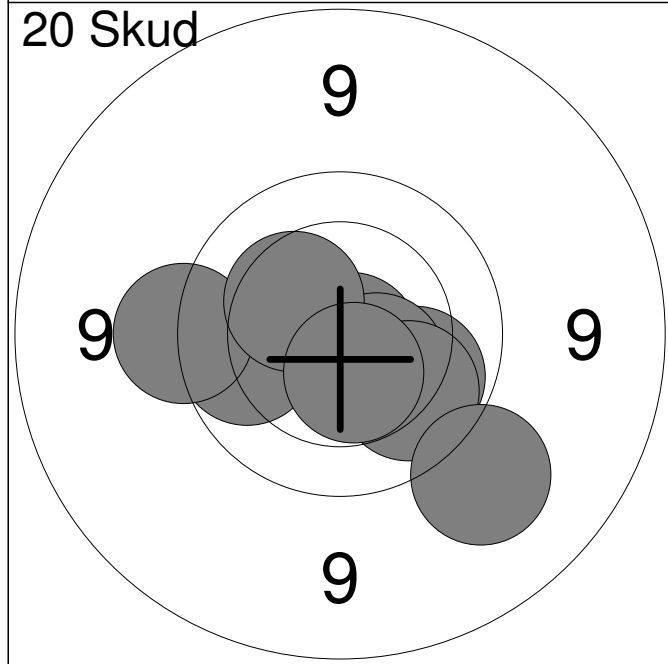
1:	10.2	↗
2:	9.9	←
3:	*10.5	↗
4:	10.4	↘
5:	*10.5	←
6:	10.3	↘
7:	10.2	↘
8:	10.2	↗
9:	9.9	←
10:	9.5	←
Serie		97.0
Total		97.0



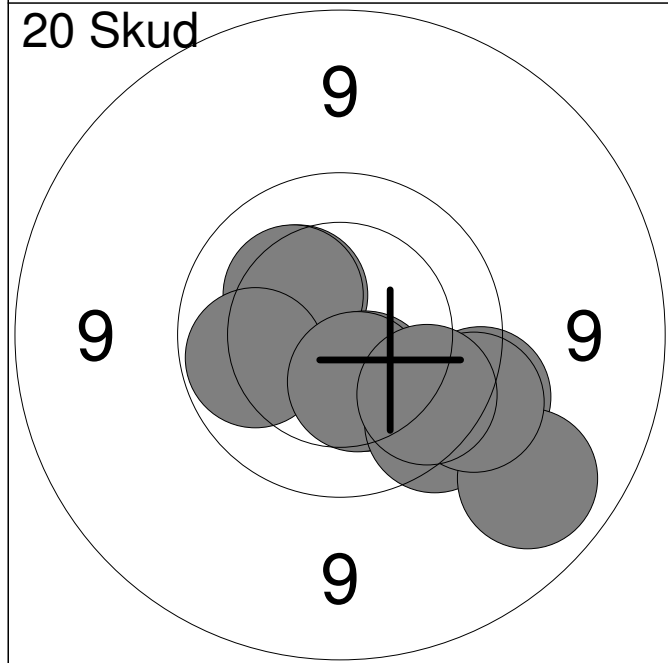
11:	9.8	↘
12:	9.9	→
13:	*10.5	↘
14:	10.4	↗
15:	10.5	↘
16:	*10.6	↘
17:	10.1	↘
18:	9.6	↗
19:	*10.5	←
20:	10.4	↘
Serie		97.0
Total		194.0



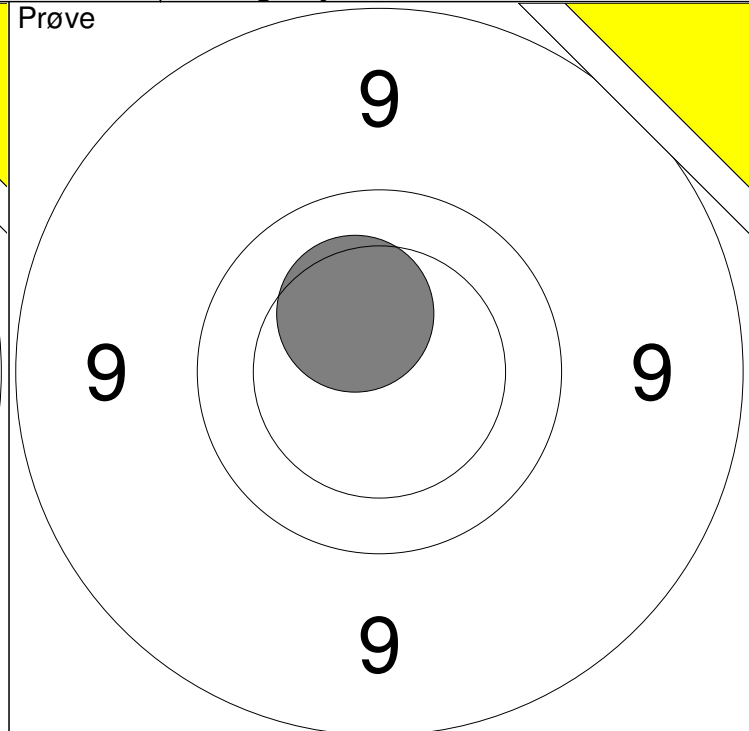
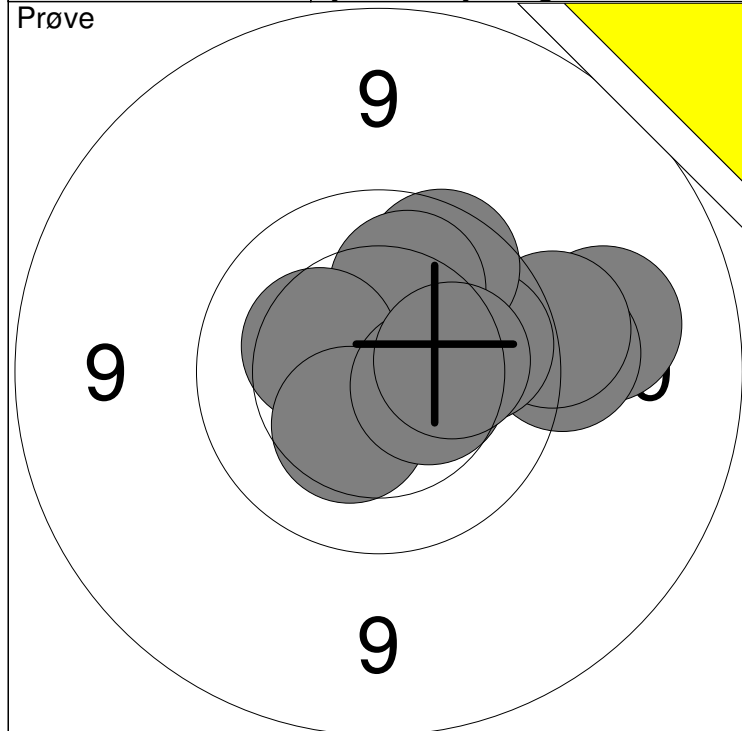
	1:	10.0	←
	2:	10.2	↘
	3:	10.0	↗
	4:	*10.5	↘
Serie			40.0
Total			0.0



	1:	9.9	←
	2:	9.6	←
	3:	10.0	↘
	4:	*10.5	↘
	5:	*10.8	↘
	6:	10.4	↘
	7:	10.0	↘
	8:	10.3	↗
	9:	9.3	↘
	10:	*10.5	↘
Serie			97.0
Total			97.0

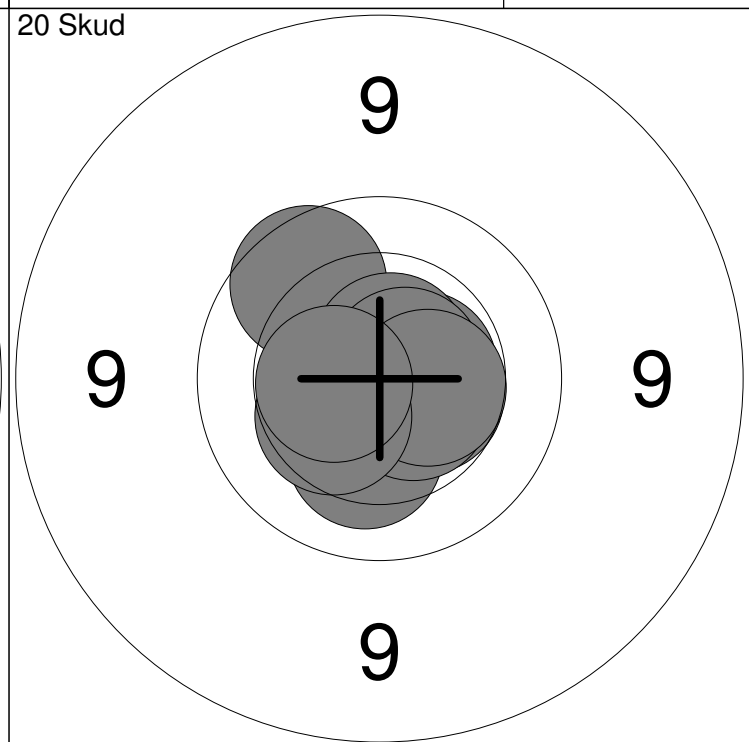
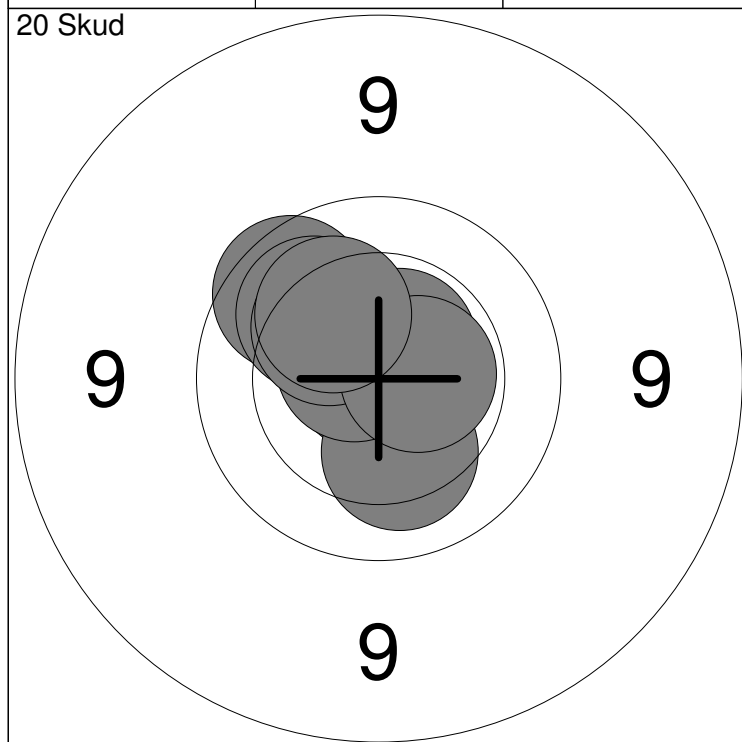


	11:	10.3	↗
	12:	10.3	↗
	13:	9.6	↘
	14:	10.0	←
	15:	10.4	↘
	16:	10.4	↘
	17:	9.7	↘
	18:	9.1	↘
	19:	9.6	↘
	20:	9.9	↘
Serie			95.0
Total			192.0



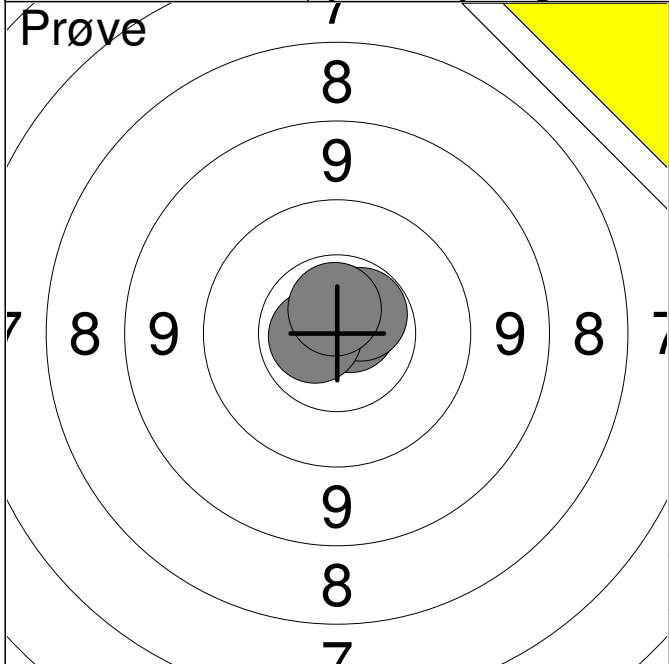
1: 9.3 →	6: 10.1 ↗	Serie	96.0
2: 9.5 →	7: 10.3 ↖		
3: 9.5 →	8: 10.4 ↘	Total	0.0
4: 10.0 →	9: 10.4 →		
5: 9.8 ↗	10: 10.2 →		

11: 10.3 ↖	Serie	10.0
	Total	0.0

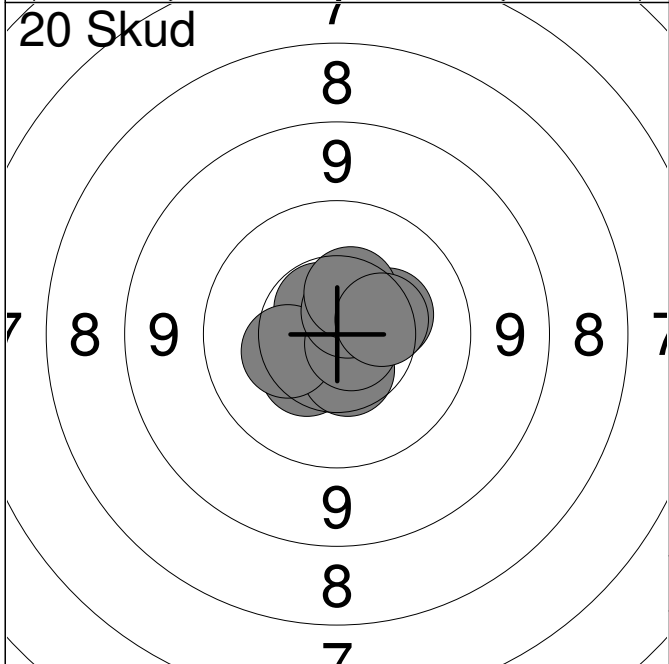


1: *10.8 ↖	6: 10.2 ↘	Serie	99.0
2: 9.8 ↖	7: *10.7 ↖		
3: *10.9 ↖	8: 10.3 ↖	Total	99.0
4: *10.6 ↗	9: *10.6 →		
5: 10.1 ↖	10: 10.2 ↖		

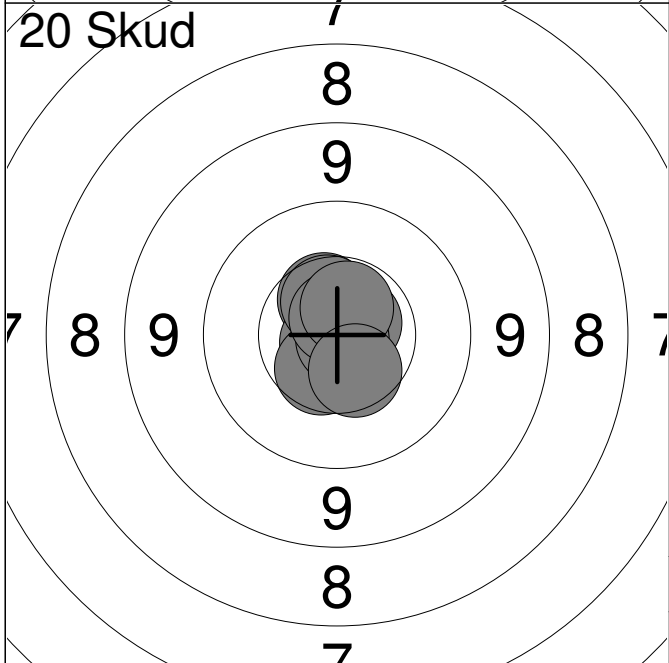
11: 9.9 ↖	16: *10.7 →	Serie	99.0
12: *10.6 →	17: *10.6 ↘		
13: 10.2 ↘	18: 10.5 →	Total	198.0
14: *10.7 ↗	19: 10.4 ↖		
15: 10.5 →	20: *10.5 ↖		



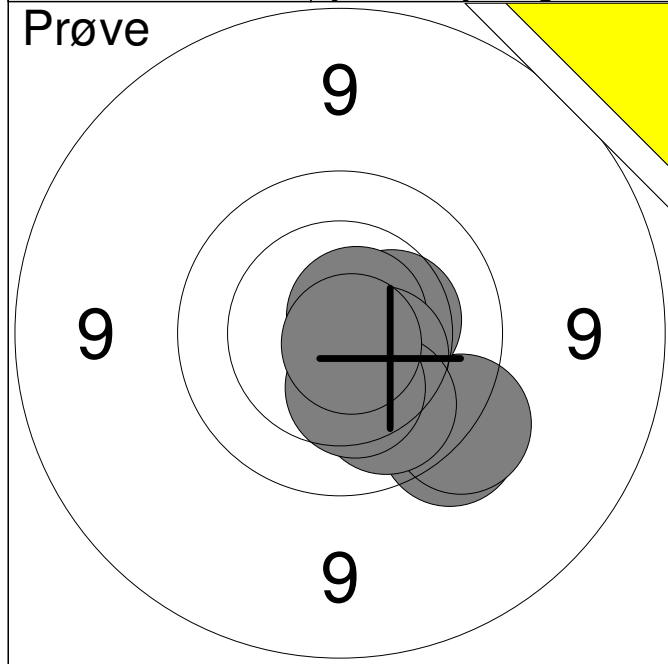
1:	*10.8	↗
2:	*10.7	↑
3:	*10.6	↖
4:	*10.7	←
5:	*10.7	↑
Serie		50.0
Total		0.0



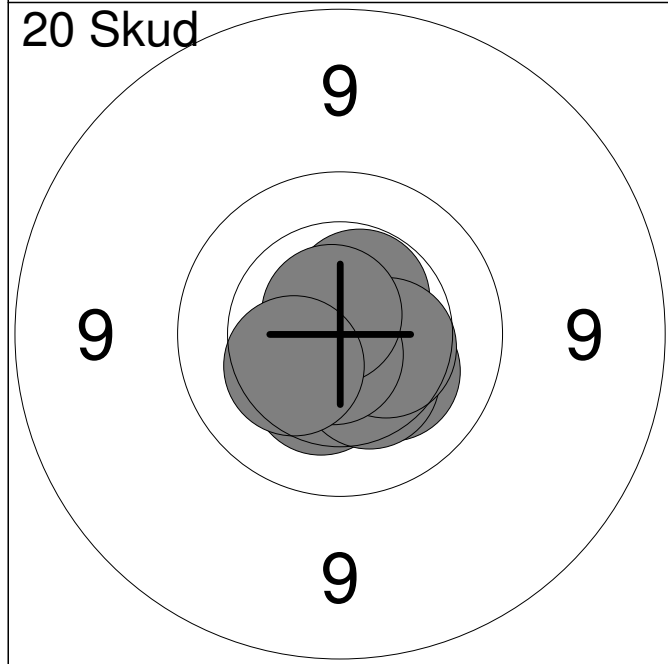
1:	*10.7	↖
2:	10.4	↙
3:	*10.6	↗
4:	10.5	↓
5:	10.3	↖
6:	10.3	↗
7:	*10.7	↘
8:	*10.7	↗
9:	10.5	↑
10:	10.4	↗
Serie		100.0
Total		100.0



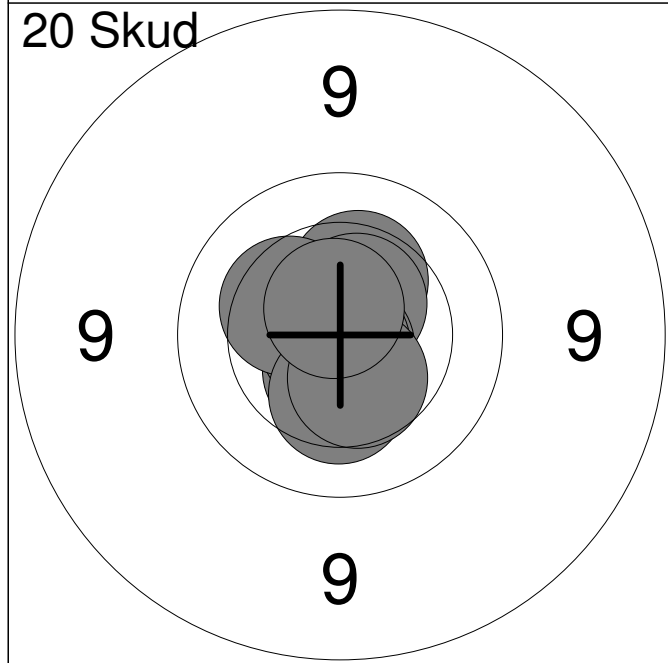
11:	*10.9	→
12:	*10.7	↗
13:	10.5	↑
14:	*10.8	↖
15:	10.5	↙
16:	*10.9	↘
17:	10.5	↑
18:	*10.7	↑
19:	*10.6	↗
20:	10.5	↓
Serie		100.0
Total		200.0



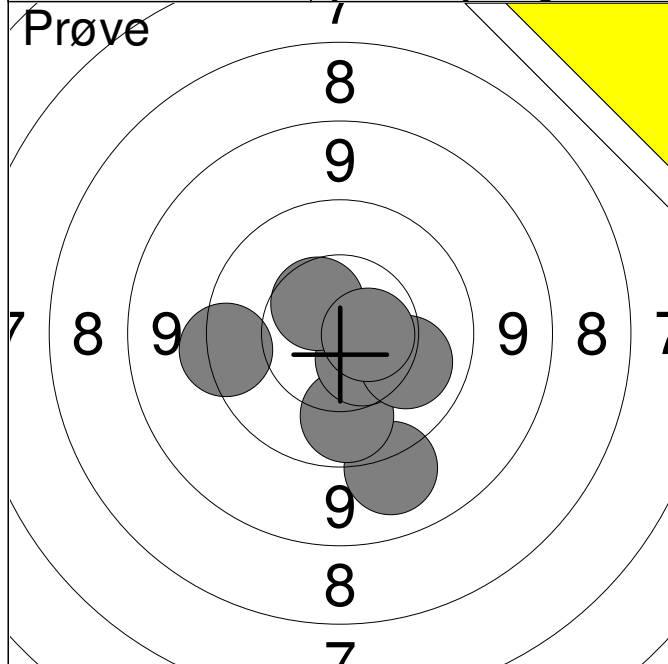
1:	9.6	↘
2:	9.6	↘
3:	10.4	→
4:	*10.7	↗
5:	10.5	↘
6:	10.0	↘
7:	10.3	↘
8:	*10.8	↘
Serie		78.0
Total		0.0



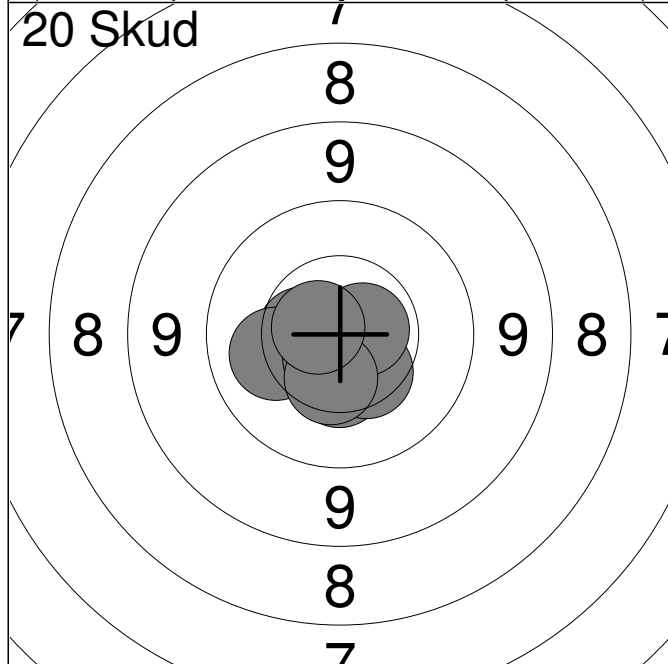
1:	*10.9	↙
2:	*10.8	↘
3:	10.3	↘
4:	10.4	↘
5:	10.4	↘
6:	*10.5	↗
7:	10.4	→
8:	*10.7	↘
9:	*10.7	↗
10:	10.3	↙
Serie		100.0
Total		100.0



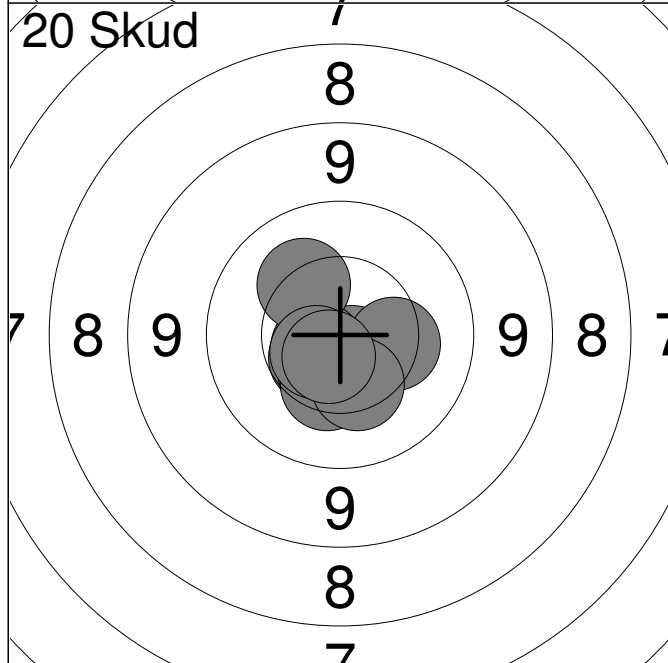
11:	10.3	↗
12:	*10.6	↗
13:	*10.8	↘
14:	*10.6	↘
15:	*10.8	↙
16:	*10.8	↘
17:	10.3	↗
18:	10.3	↘
19:	10.4	↘
20:	*10.7	↗
Serie		100.0
Total		200.0



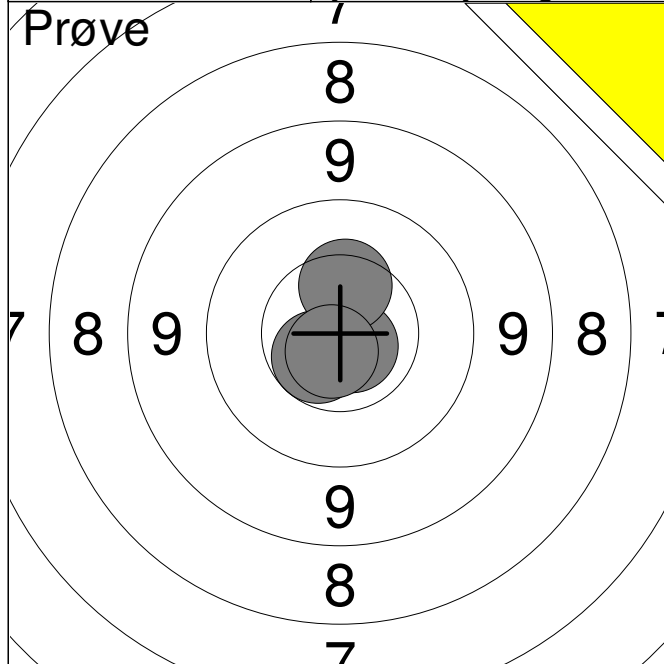
1:	9.2	↘
2:	10.0	↘
3:	10.6	↘
4:	9.6	←
5:	10.5	↗
6:	10.1	↘
7:	*10.6	→
Serie		68.0
Total		0.0



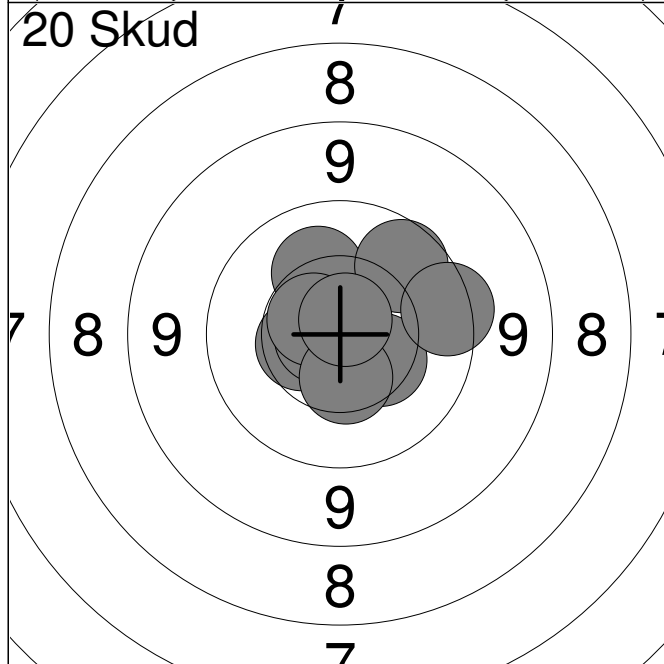
1:	*10.7	↘
2:	10.4	↘
3:	10.5	←
4:	10.2	←
5:	*10.7	↘
6:	*10.8	→
7:	10.4	↘
8:	*10.7	→
9:	10.4	↘
10:	*10.7	←
Serie		100.0
Total		100.0



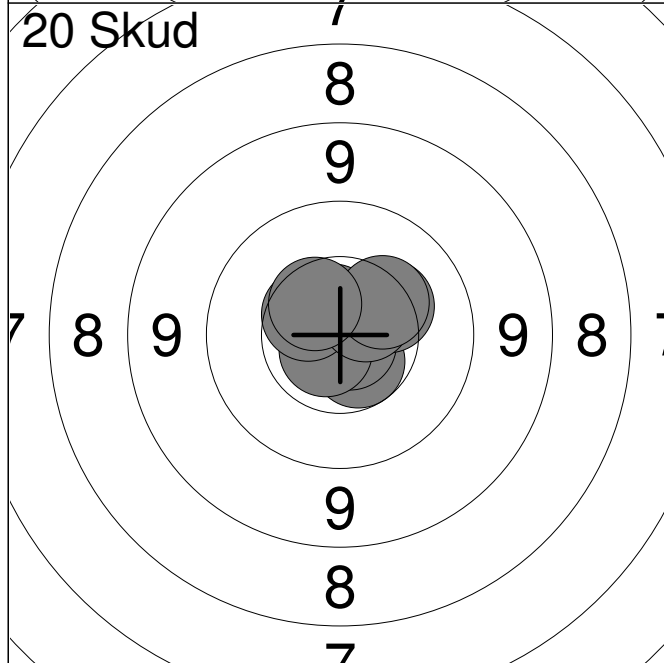
11:	*10.7	↘
12:	*10.7	←
13:	10.6	←
14:	10.5	↘
15:	10.4	↘
16:	10.3	→
17:	10.2	↗
18:	10.3	↘
19:	*10.6	←
20:	*10.7	↘
Serie		100.0
Total		200.0



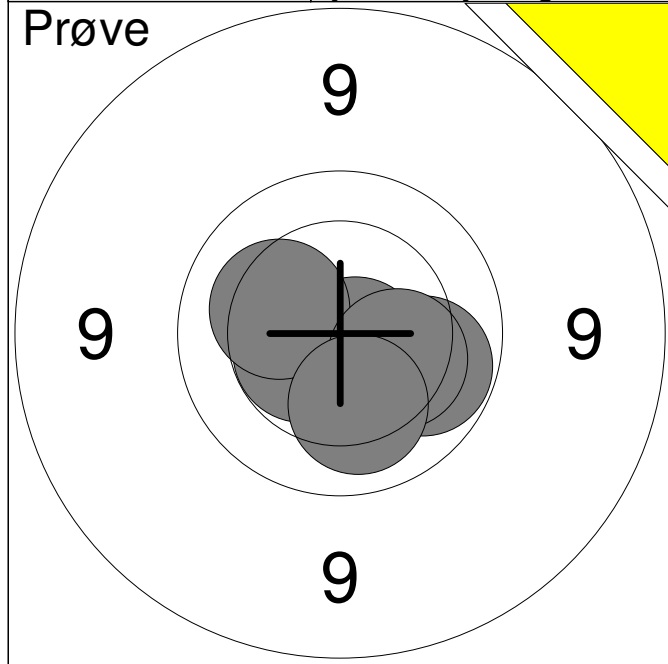
1:	*10.7	↘
2:	10.6	↙
3:	10.4	↑
4:	*10.7	↘
Serie		40.0
Total		0.0



1:	10.5	←
2:	10.4	↘
3:	*10.6	↑
4:	*10.7	←
5:	10.2	↑
6:	*10.6	↖
7:	9.9	↗
8:	10.4	↓
9:	*10.8	↑
10:	9.7	→
Serie		98.0
Total		98.0

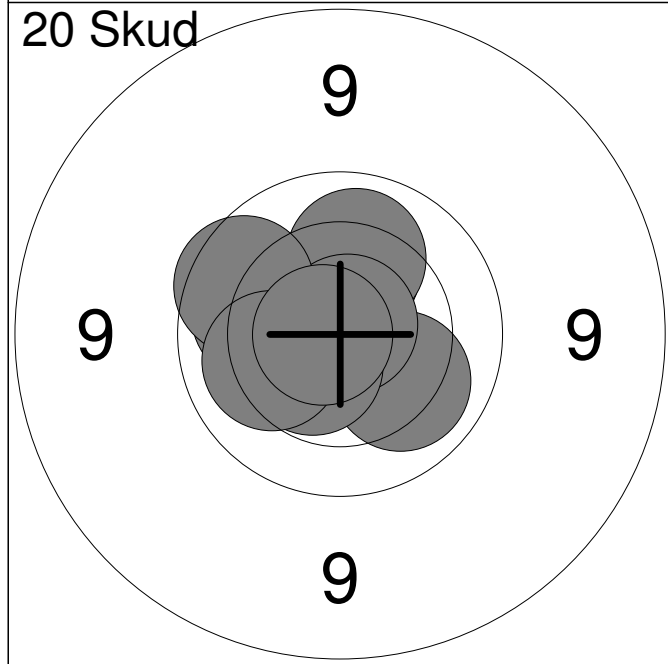


11:	*10.7	↑
12:	10.6	↘
13:	*10.8	↘
14:	*10.7	↑
15:	10.3	↗
16:	*10.7	↙
17:	10.5	↖
18:	10.6	↗
19:	10.3	↗
20:	10.5	↖
Serie		100.0
Total		198.0



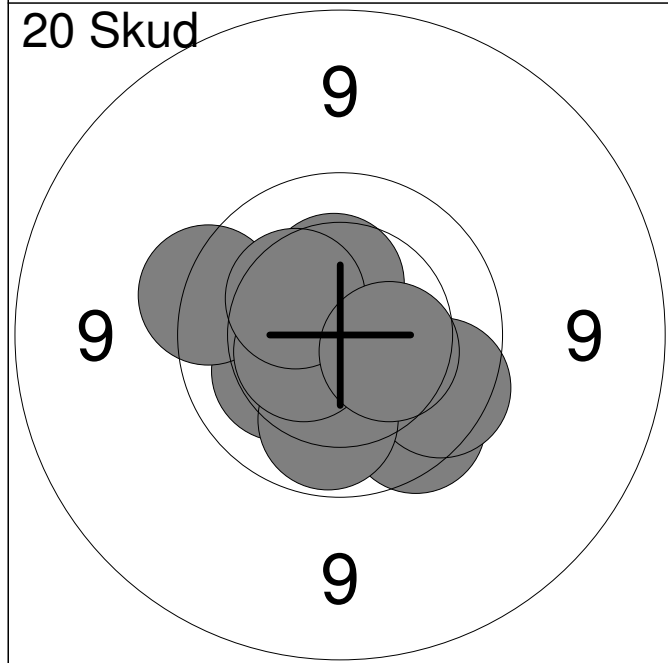
1:	*10.5	←
2:	*10.7	↘
3:	10.2	↗
4:	10.0	↘
5:	10.3	↘
6:	10.2	↘

Serie	60.0
Total	0.0



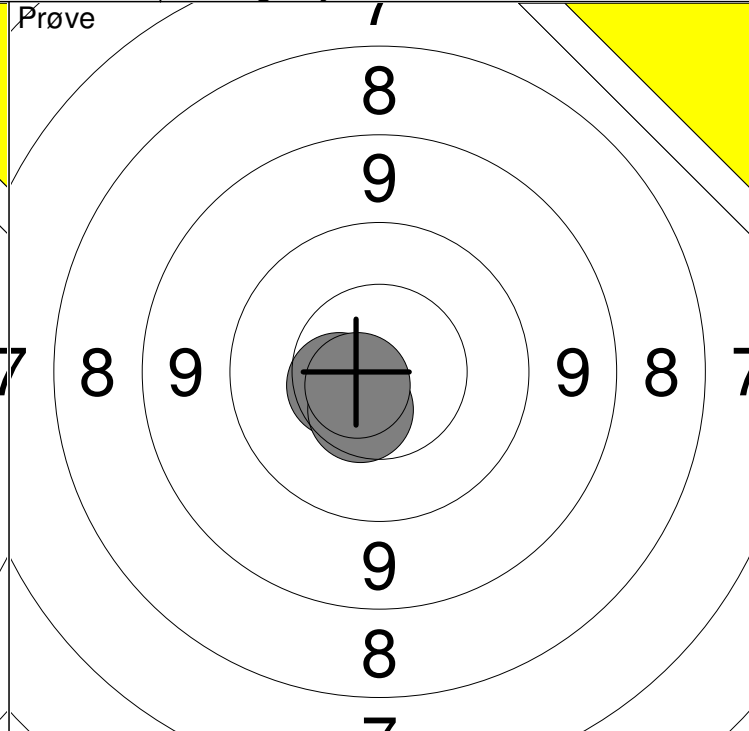
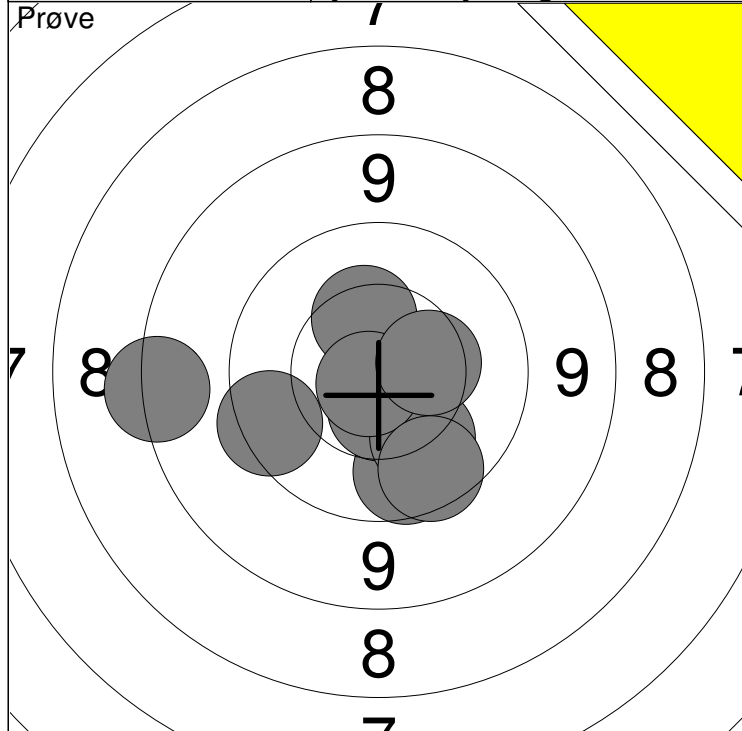
1:	10.3	↑
2:	10.1	↑
3:	10.1	↘
4:	10.4	←
5:	10.1	←
6:	*10.8	↗
7:	9.9	↗
8:	*10.5	↘
9:	10.2	←
10:	*10.8	←

Serie	99.0
Total	99.0



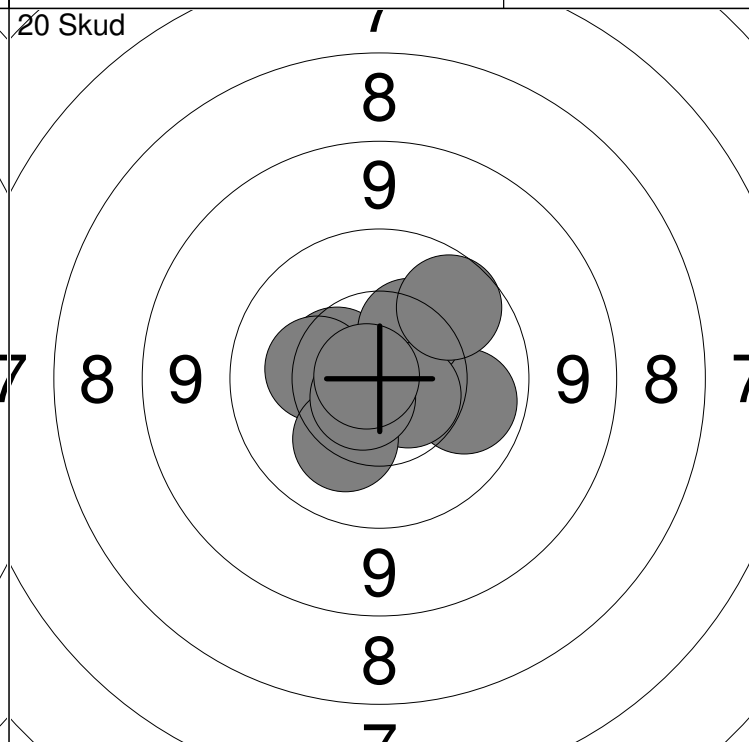
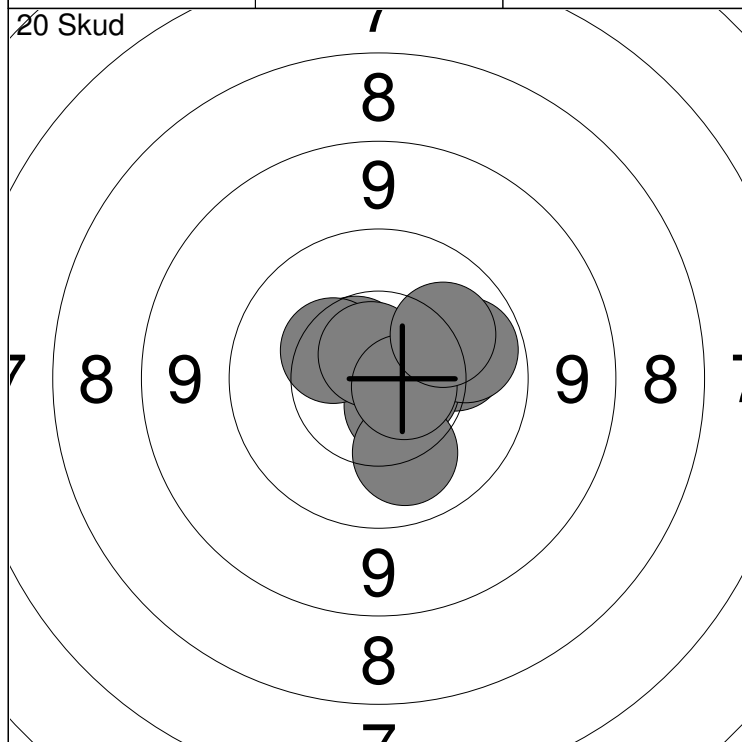
11:	10.2	←
12:	9.8	↘
13:	9.8	↘
14:	*10.7	←
15:	9.7	←
16:	10.4	↑
17:	10.0	↘
18:	*10.5	←
19:	10.3	↗
20:	10.4	↘

Serie	97.0
Total	196.0



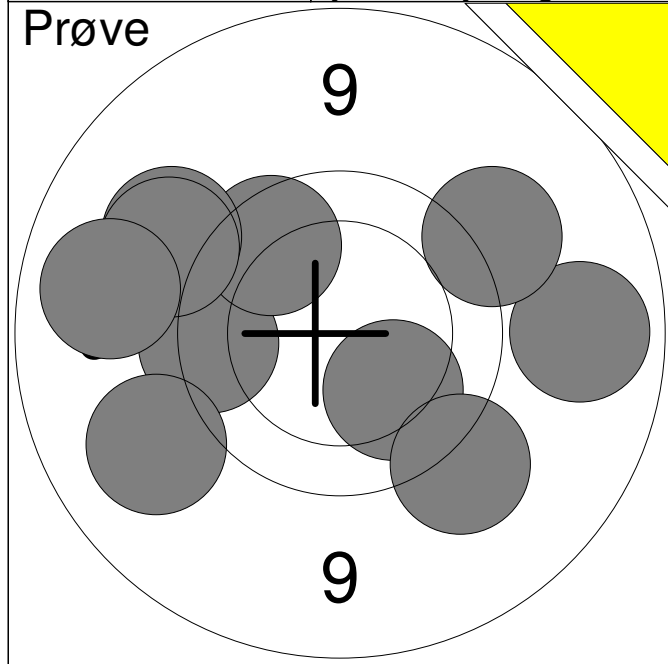
1: *10.6 ↘	6: *10.8 ↙	Serie	95.0
2: 9.9 ↓	7: 8.5 ←		
3: 10.6 ↓	8: 10.4 →	Total	0.0
4: 10.4 ↑	9: 9.8 ↘		
5: 10.1 ↘	10: 9.7 ←		

11: 10.5 ←	Serie	30.0
12: 10.5 ↘		
13: *10.7 ↙	Total	0.0

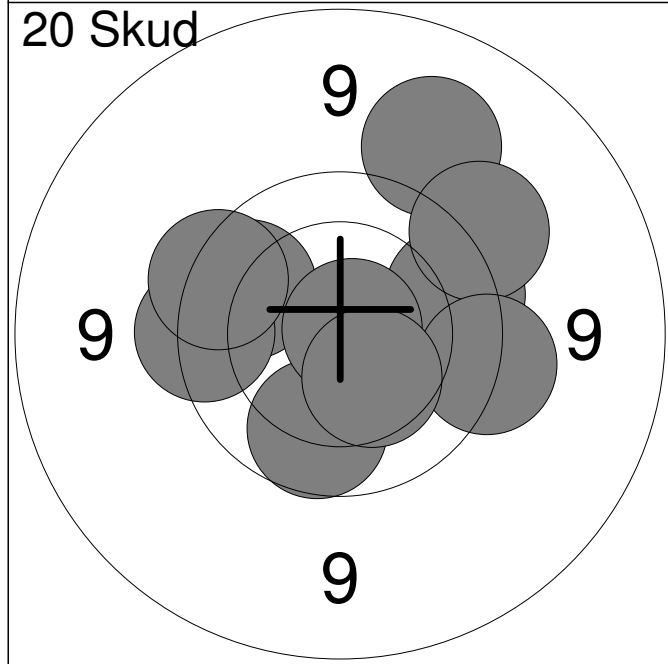


1: *10.6 ↘	6: 10.0 →	Serie	100.0
2: 10.1 →	7: 10.1 ↘		
3: *10.6 →	8: *10.7 ↑	Total	100.0
4: 10.6 ↗	9: *10.7 →		
5: 10.4 ↖	10: 10.1 ↗		

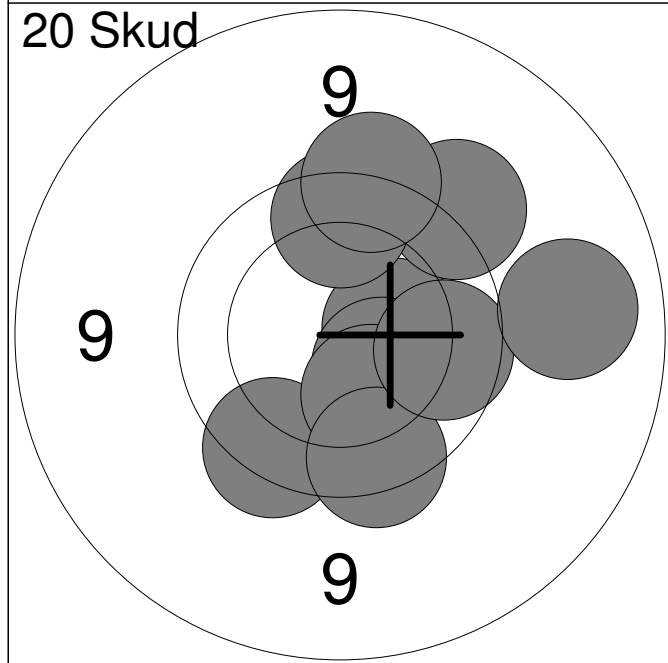
11: 10.4 →	16: 10.3 ←	Serie	99.0
12: 10.5 ↖	17: 10.2 ↘		
13: 10.0 →	18: 9.9 ↗	Total	199.0
14: 10.4 ↗	19: *10.7 ↘		
15: *10.6 ↘	20: *10.8 ↖		



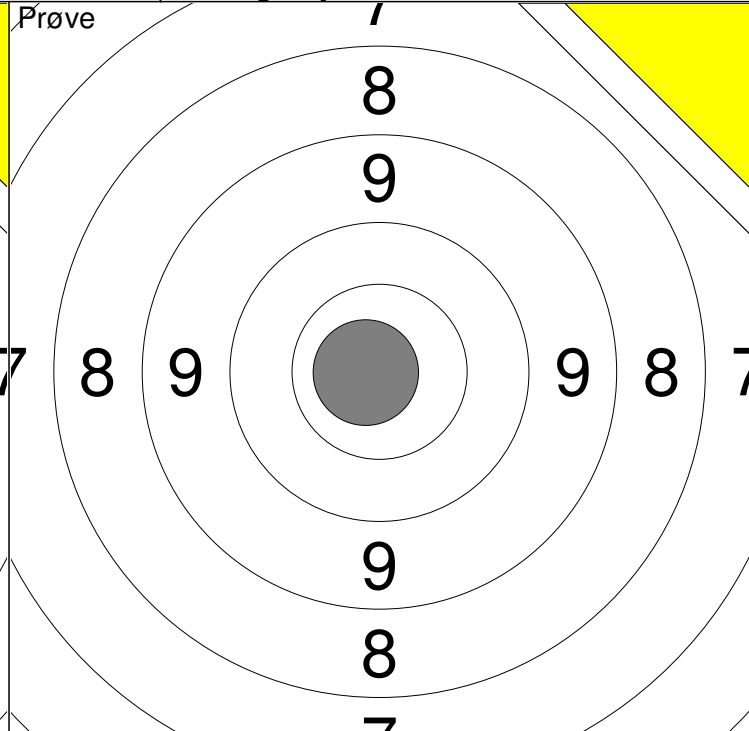
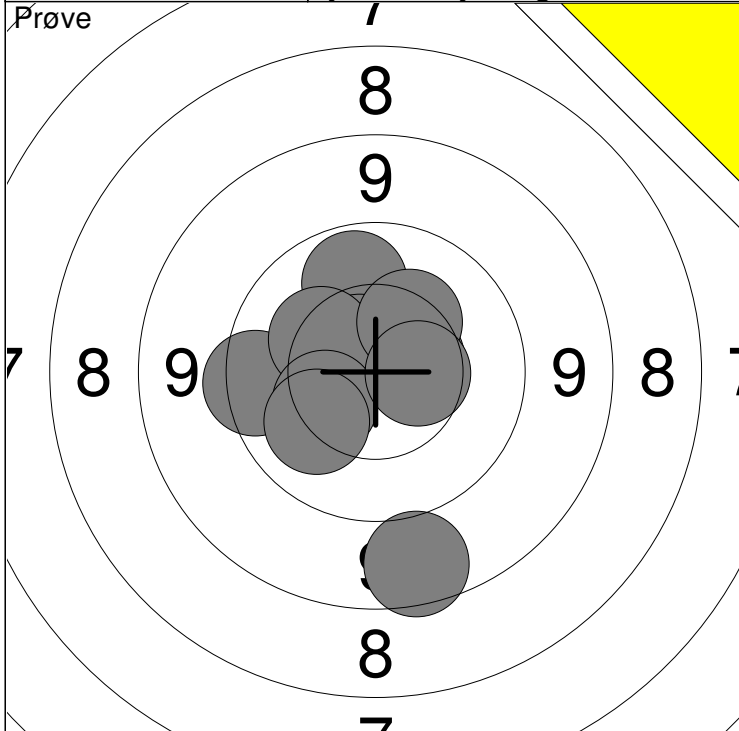
1:	9.7	←
2:	9.0	→
3:	9.8	↗
4:	10.1	↘
5:	9.4	↗
6:	9.2	↙
7:	9.3	↗
8:	9.3	↗
9:	9.1	←
10:	9.4	↘
Serie		91.0
Total		0.0



1:	9.2	↗
2:	9.9	↖
3:	9.9	↘
4:	9.7	←
5:	9.7	↗
6:	9.8	→
7:	9.5	↗
8:	9.6	→
9:	*10.8	→
10:	10.4	↘
Serie		92.0
Total		92.0

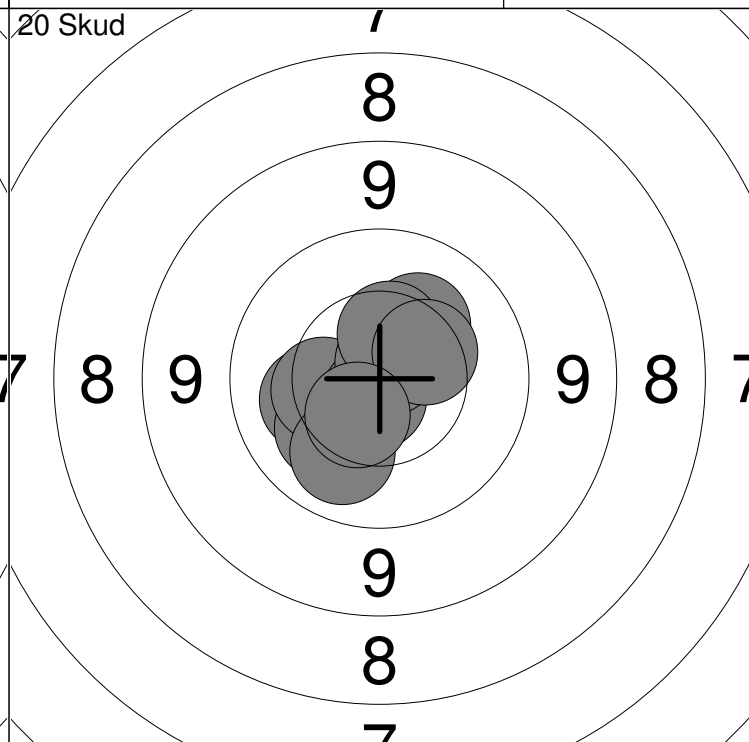
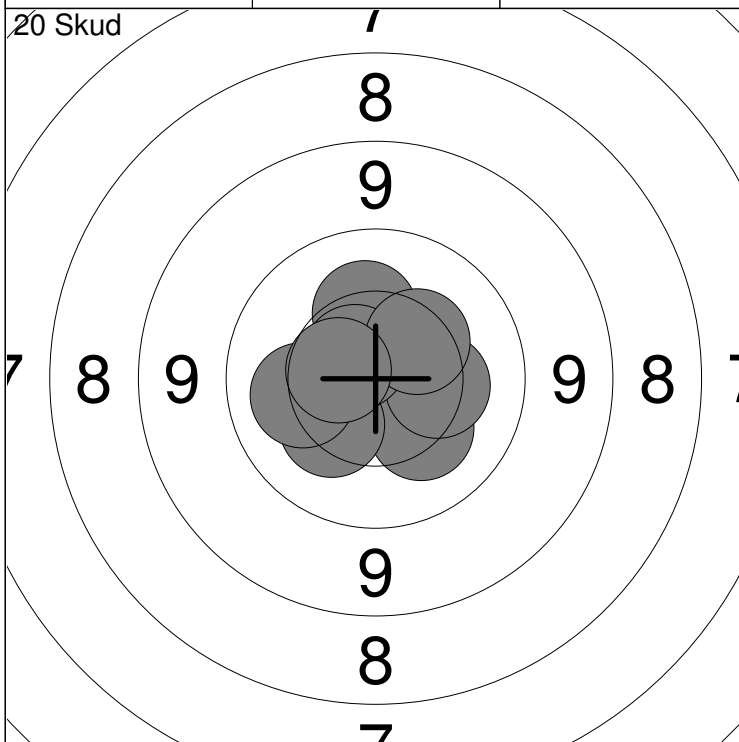


11:	10.4	→
12:	9.5	↗
13:	9.7	↙
14:	9.8	↑
15:	10.4	↘
16:	10.2	↘
17:	9.7	↘
18:	9.9	→
19:	9.6	↑
20:	9.1	→
Serie		93.0
Total		185.0



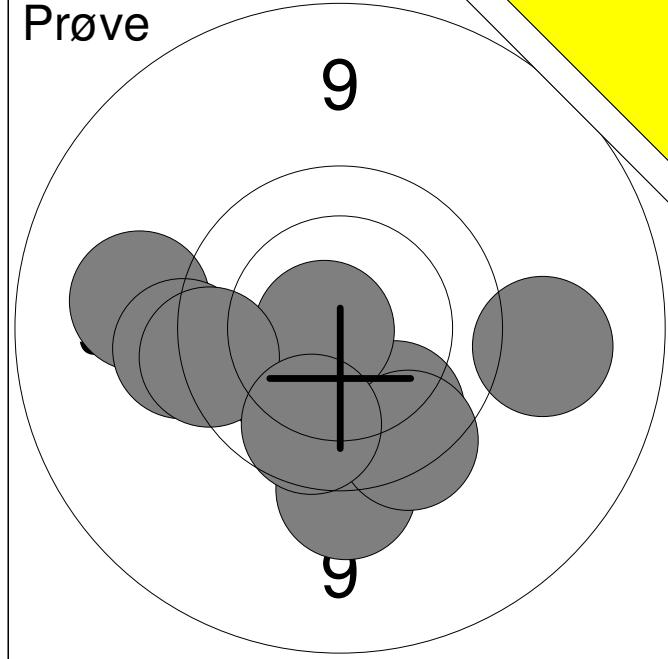
1: 10.0 ↑	6: 10.3 ↗	Serie	97.0
2: 9.7 ←	7: 10.3 ↙		
3: *10.6 ↖	8: 8.8 ↓	Total	0.0
4: 10.5 →	9: 10.2 ↘		
5: 10.3 ↖	10: 10.5 →		

11: *10.8 ←	Serie	10.0
	Total	0.0

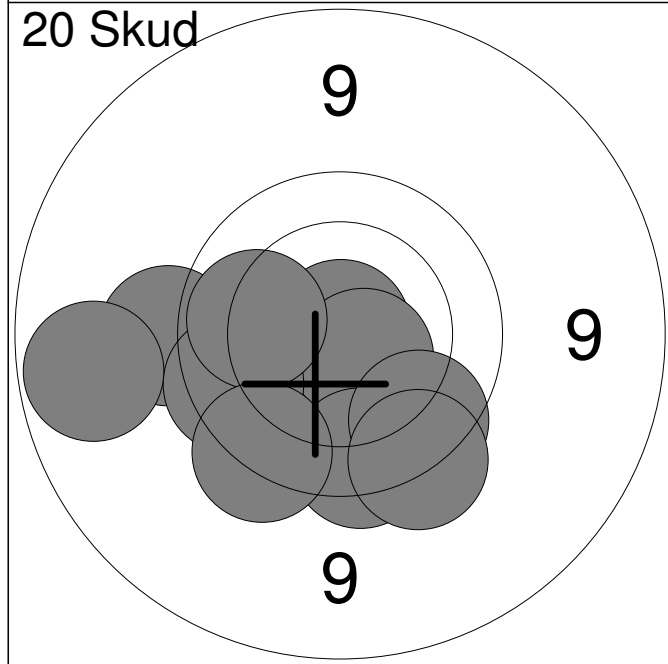


1: 10.3 ↓	6: 10.3 →	Serie	100.0
2: 10.3 ↙	7: 10.2 ←		
3: 10.5 ↗	8: *10.6 ↖	Total	100.0
4: 10.4 ↑	9: 10.4 ↗		
5: 10.3 ↑	10: 10.6 ←		

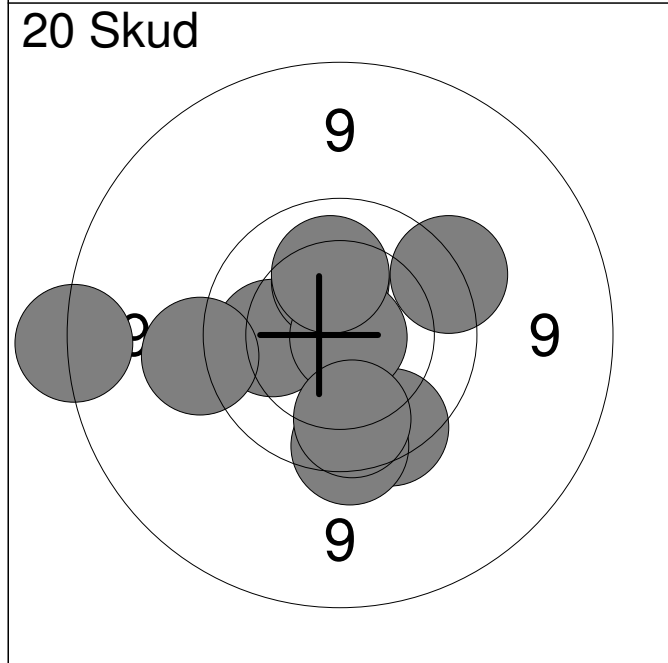
11: 10.2 ←	16: *10.8 ↗	Serie	100.0
12: 10.2 ↙	17: 10.5 ↑		
13: 10.4 ←	18: 10.4 →	Total	200.0
14: *10.7 ↓	19: 10.1 ↓		
15: 10.3 ↗	20: 10.5 ↓		



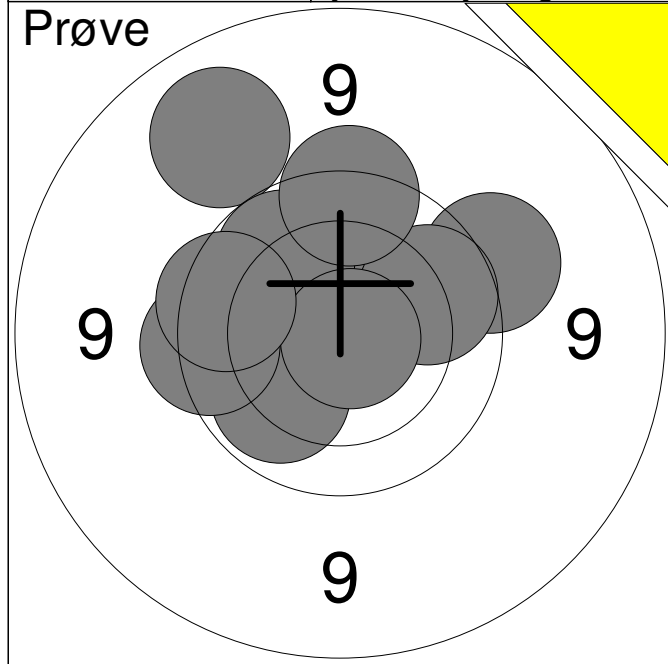
1:	10.2	↙
2:	9.5	↓
3:	9.9	↘
4:	9.3	←
5:	9.3	→
6:	9.5	←
7:	9.7	↘
8:	*10.8	←
9:	9.7	←
10:	9.9	↓
Serie		92.0
Total		0.0



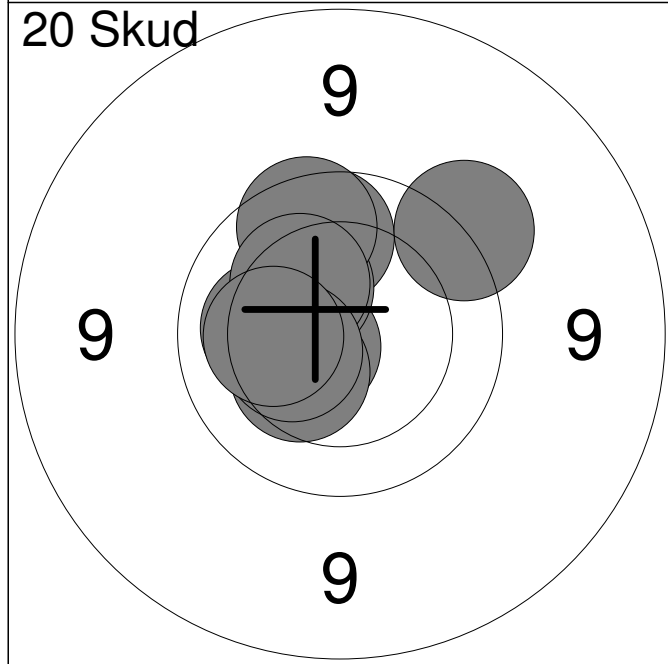
1:	9.5	←
2:	*10.9	↑
3:	*10.6	↘
4:	9.8	←
5:	9.7	↓
6:	9.8	↘
7:	9.6	↘
8:	10.0	←
9:	9.6	↘
10:	9.0	←
Serie		93.0
Total		93.0



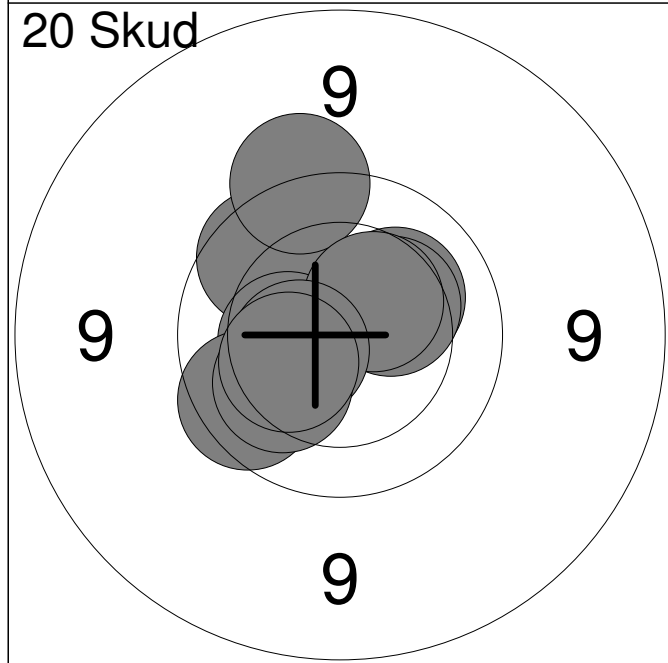
11:	10.1	←
12:	9.8	↘
13:	9.7	↘
14:	10.3	↑
15:	*10.8	→
16:	8.7	←
17:	9.5	←
18:	10.2	↑
19:	9.6	↗
20:	9.9	↓
Serie		93.0
Total		186.0



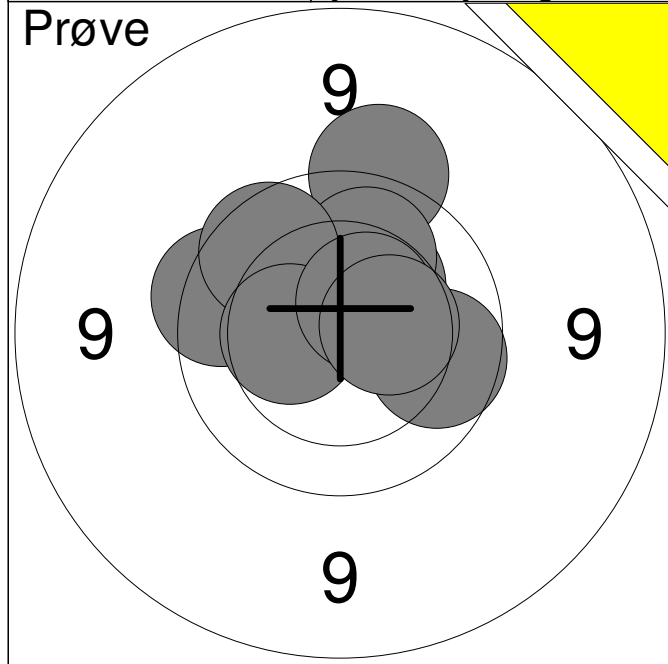
1:	10.0	↙
2:	9.1	↗
3:	10.3	↗
4:	10.0	↗
5:	9.7	←
6:	9.5	↗
7:	9.9	↗
8:	9.7	↑
9:	*10.8	↘
10:	9.8	←
Serie		94.0
Total		0.0



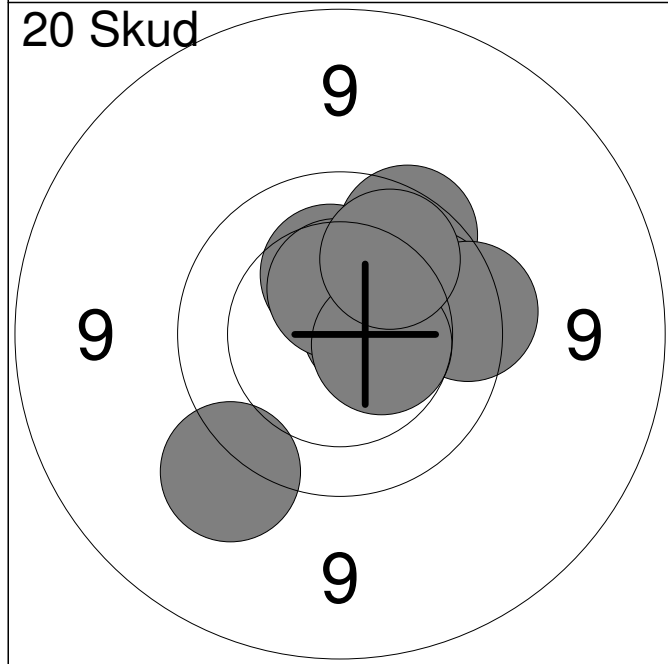
1:	9.9	↑
2:	*10.6	←
3:	9.5	↗
4:	10.3	↗
5:	9.8	↑
6:	10.2	←
7:	10.2	↗
8:	10.4	↙
9:	10.4	←
10:	10.2	←
Serie		97.0
Total		97.0



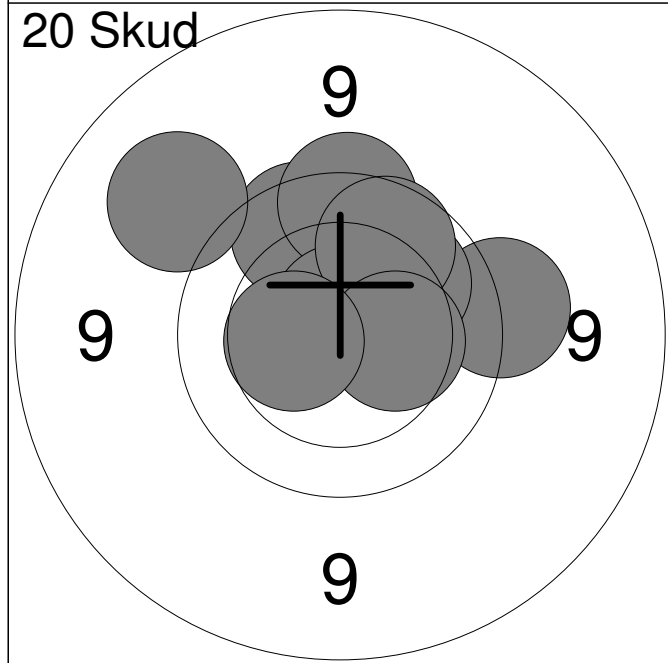
11:	9.9	↖
12:	10.2	↗
13:	10.3	↗
14:	9.6	↑
15:	10.4	←
16:	10.4	↗
17:	10.5	←
18:	9.8	↙
19:	10.1	↙
20:	10.3	↙
Serie		97.0
Total		194.0



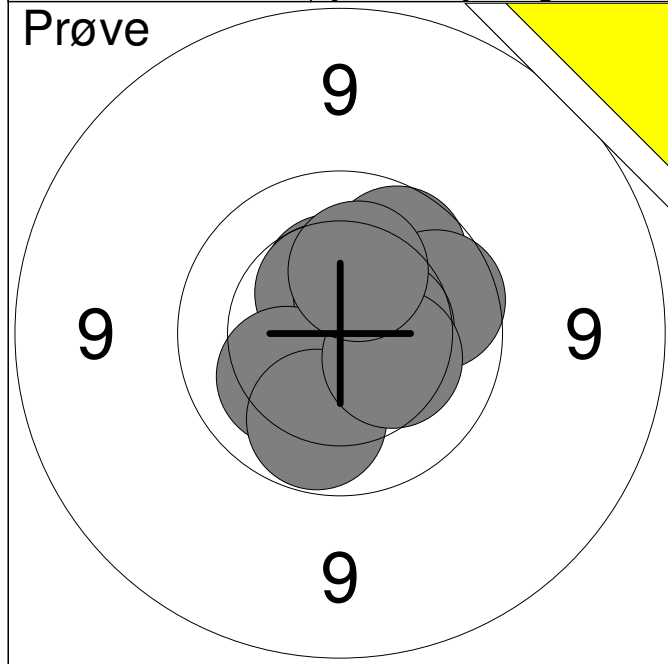
1:	9.8	←
2:	9.5	↑
3:	10.4	↑
4:	10.3	↗
5:	10.1	↑
6:	9.9	↖
7:	10.4	←
8:	*10.5	↗
9:	9.9	→
10:	10.4	→
Serie		96.0
Total		0.0



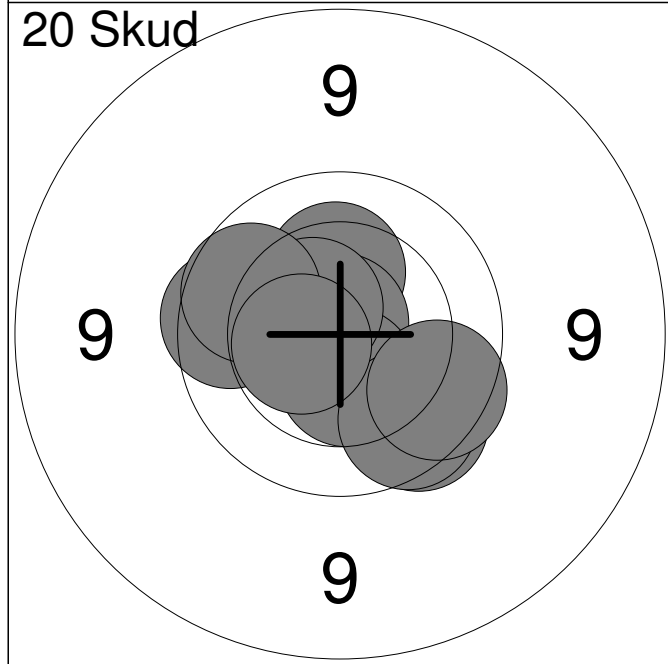
1:	10.3	↗
2:	*10.6	→
3:	10.3	↑
4:	9.8	↗
5:	9.9	→
6:	9.4	↙
7:	10.5	↑
8:	9.7	→
9:	10.5	→
10:	10.0	↗
Serie		96.0
Total		96.0



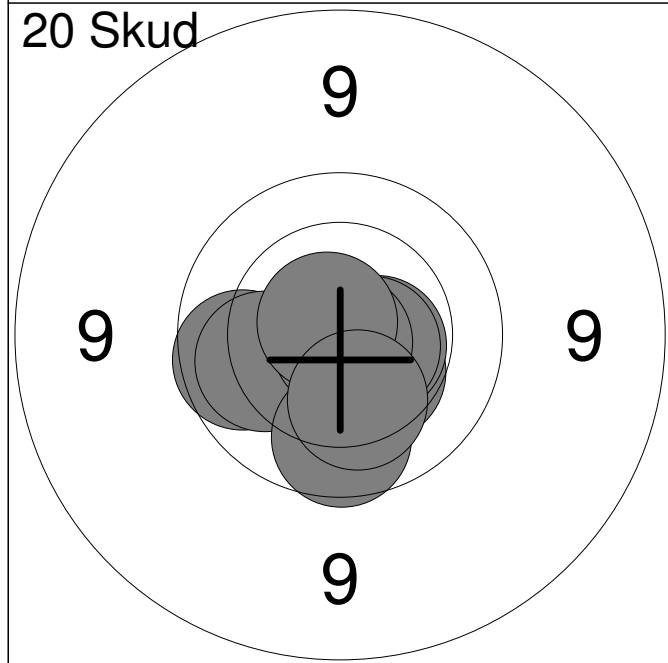
11:	9.5	→
12:	9.9	↑
13:	9.8	↑
14:	9.2	↖
15:	9.7	↑
16:	10.1	↗
17:	*10.7	↑
18:	9.9	↗
19:	10.4	→
20:	10.4	←
Serie		94.0
Total		190.0



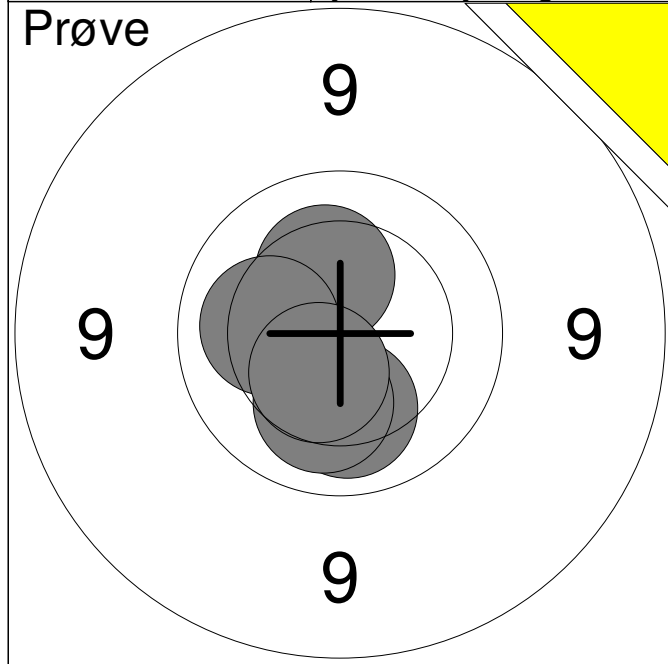
1:	10.4	↑
2:	9.9	↗
3:	10.5	↑
4:	10.5	↗
5:	9.9	→
6:	10.5	→
7:	10.2	↙
8:	10.0	↓
9:	10.3	↘
10:	10.3	↑
Serie		98.0
Total		0.0



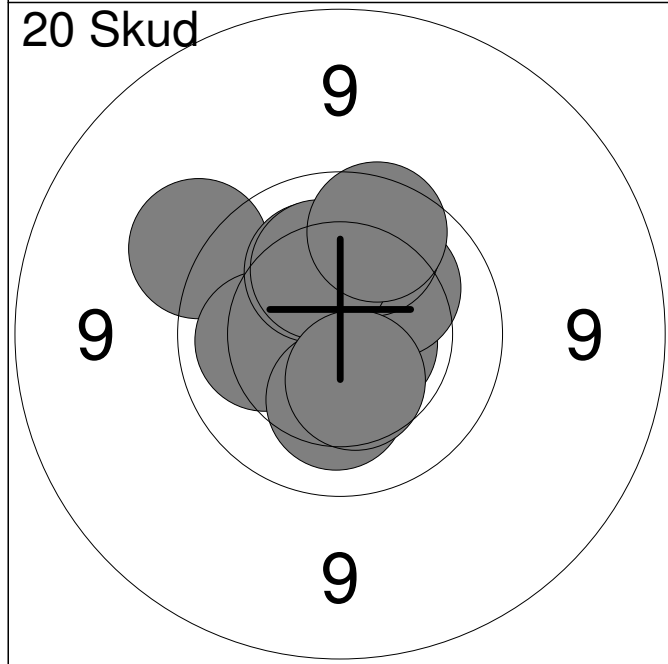
1:	10.3	↑
2:	9.8	←
3:	*10.8	↑
4:	9.8	↓
5:	10.5	↓
6:	*10.5	↗
7:	9.9	↓
8:	9.9	↗
9:	9.8	↘
10:	*10.5	←
Serie		95.0
Total		95.0



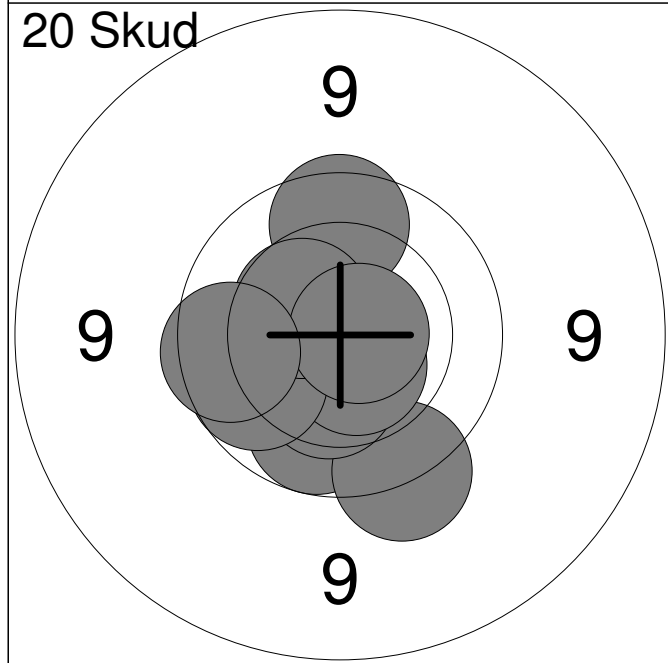
11:	*10.6	↓
12:	9.9	←
13:	10.1	←
14:	10.4	↓
15:	*10.5	↘
16:	*10.6	↘
17:	*10.9	↓
18:	9.9	↓
19:	*10.8	↗
20:	10.2	↓
Serie		98.0
Total		193.0



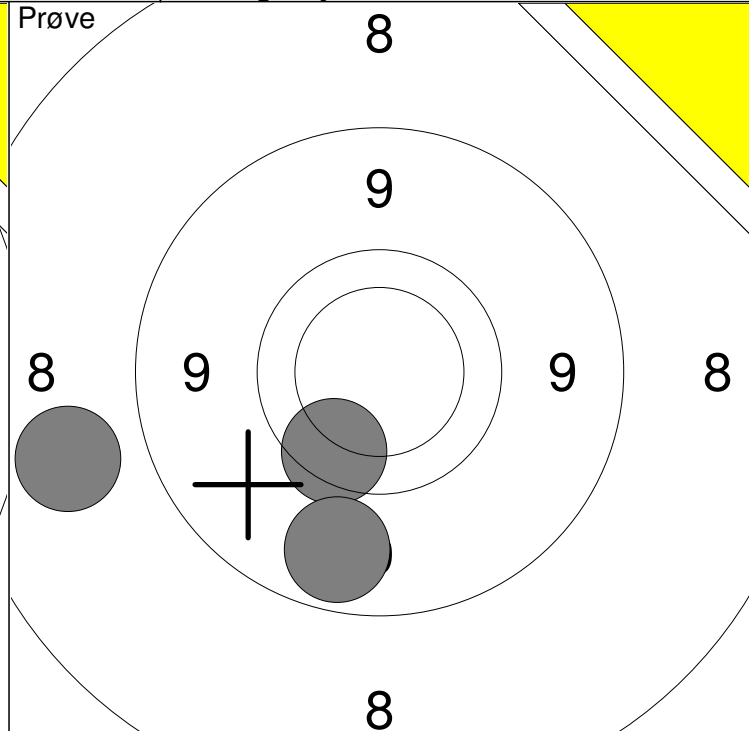
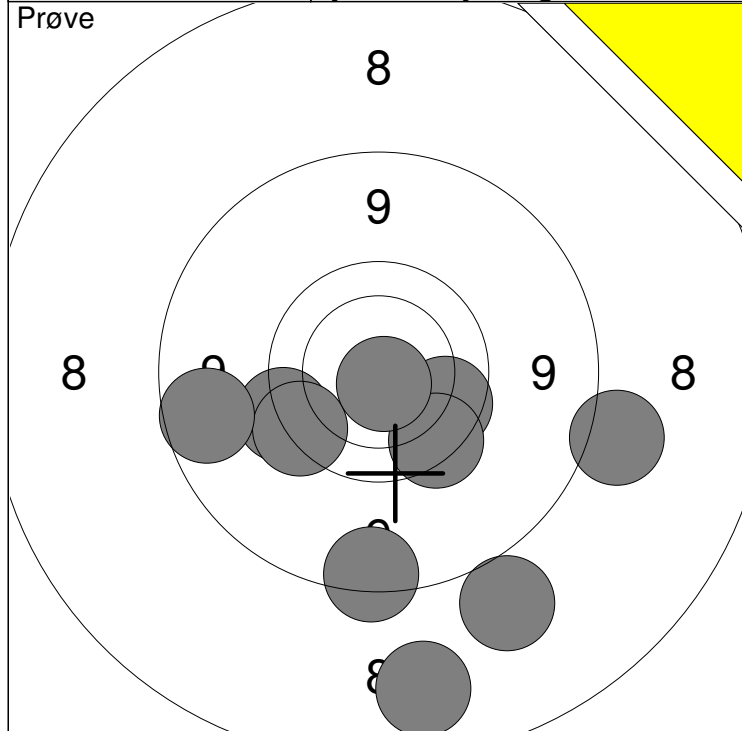
1:	10.1	↓
2:	10.2	↓
3:	10.3	↑
4:	10.2	←
5:	10.5	↙
Serie		50.0
Total		0.0



1:	*10.6	→
2:	9.5	↗
3:	10.1	←
4:	10.2	↓
5:	10.2	↗
6:	10.2	↗
7:	9.9	↗
8:	10.2	↑
9:	9.9	↗
10:	10.4	↓
Serie		97.0
Total		97.0

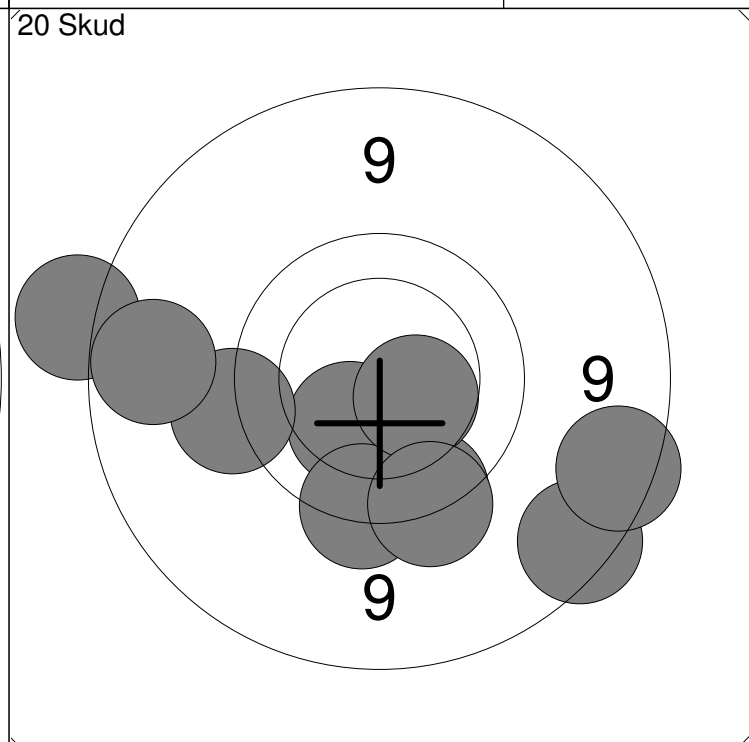
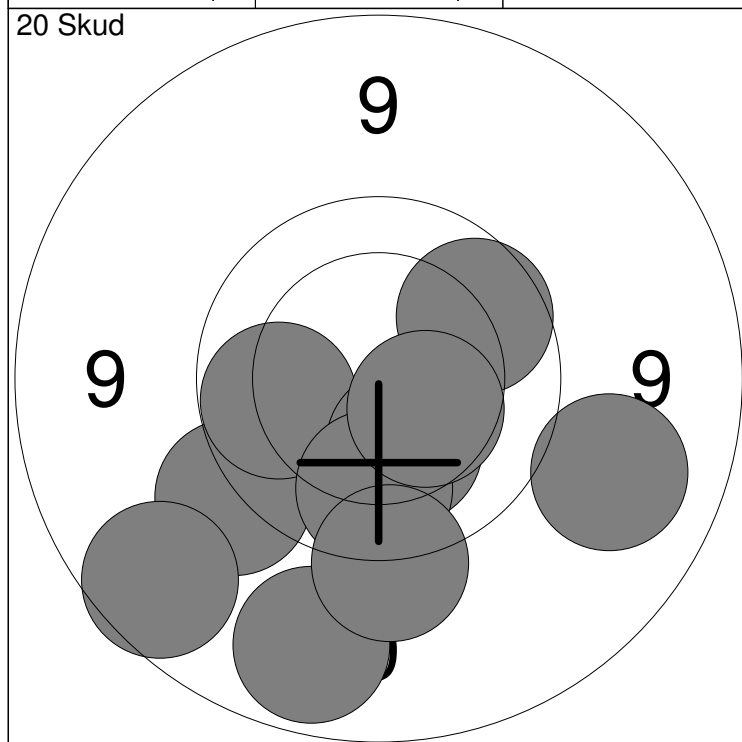


11:	9.9	↓
12:	*10.8	→
13:	9.8	↑
14:	9.6	↙
15:	10.4	↙
16:	*10.6	↙
17:	9.9	↙
18:	10.4	↗
19:	*10.7	→
20:	9.8	←
Serie		95.0
Total		192.0



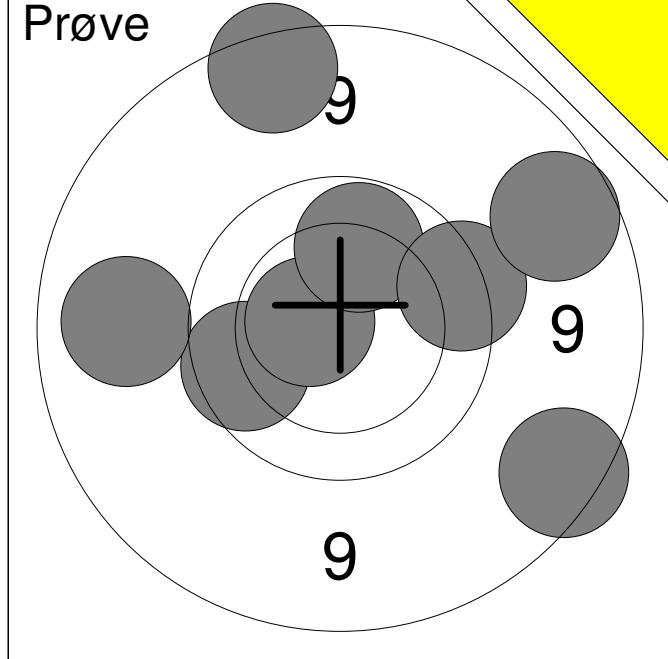
1: 8.5 →	6: 9.6 ↙	Serie	86.0
2: 9.8 →	7: 8.9 ←		
3: 8.4 ↓	8: 9.7 ↓	Total	0.0
4: 9.6 ←	9: *10.7 ↓		
5: 8.1 ↓	10: 8.8 ↓		

11: 8.2 ←	Serie	26.0
12: 9.8 ↓		
13: 9.0 ↓	Total	0.0

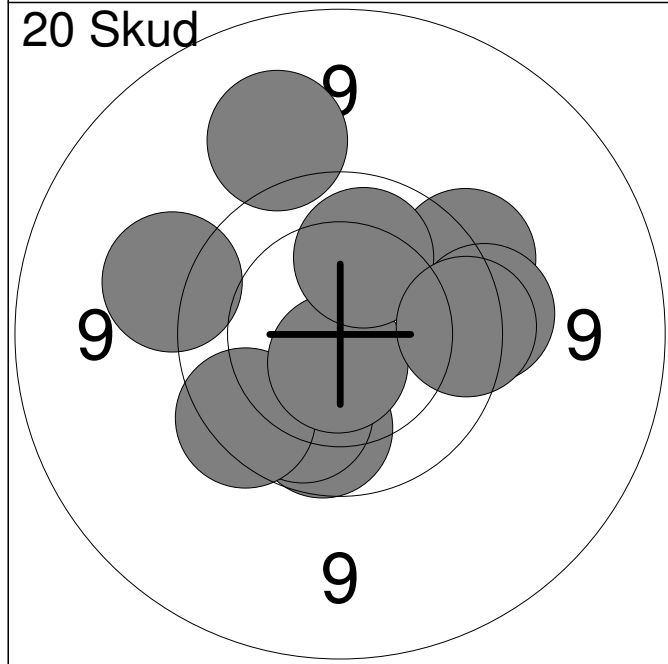


1: 9.5 ↙	6: 9.0 ↓	Serie	92.0
2: 10.0 ←	7: 9.9 ↓		
3: 8.9 ↙	8: 9.9 ↗	Total	92.0
4: 9.2 →	9: 10.4 ⇒		
5: 10.3 ↓	10: 9.5 ↓		

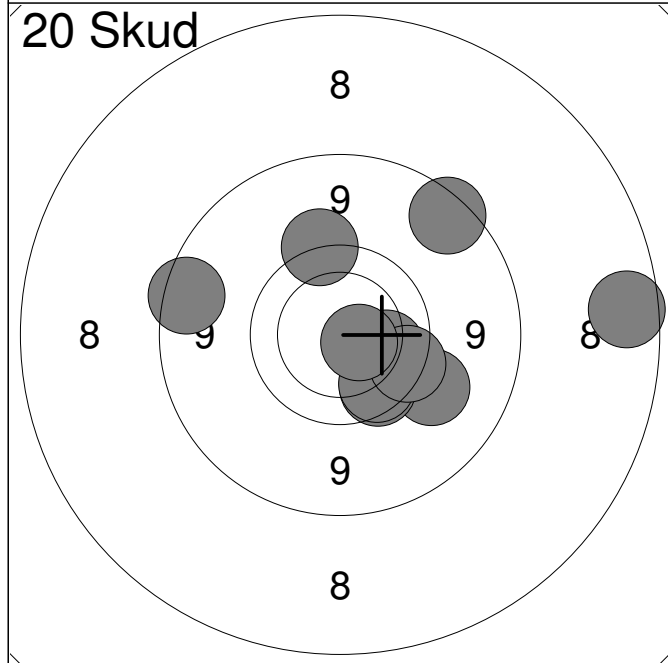
11: 10.3 ↙	16: 10.5 ⇒	Serie	89.0
12: 9.7 ↓	17: 9.6 ↓		
13: 8.8 ↘	18: 8.6 ←	Total	181.0
14: 9.5 ←	19: 9.0 ←		
15: 9.6 ↓	20: 8.8 ⇒		



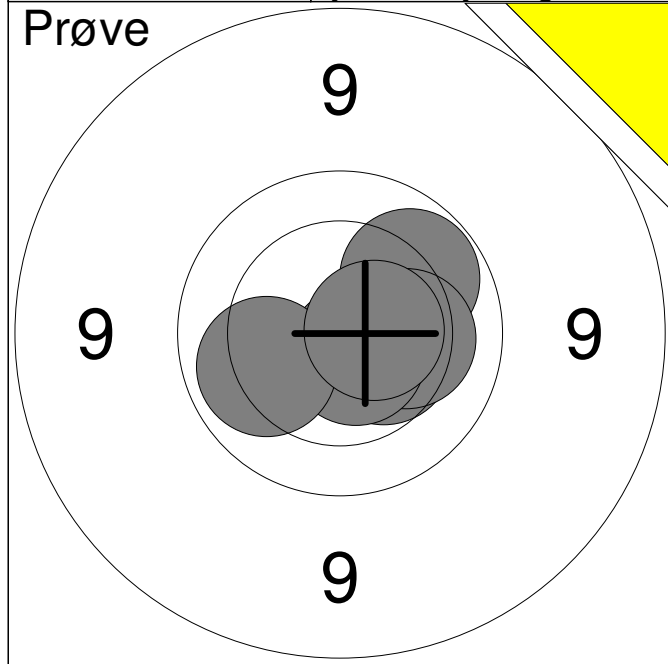
1:	8.8	↑
2:	9.9	←
3:	*10.6	←
4:	10.0	↑
5:	9.7	→
6:	8.9	→
7:	8.8	↘
8:	9.1	←
Serie		71.0
Total		0.0



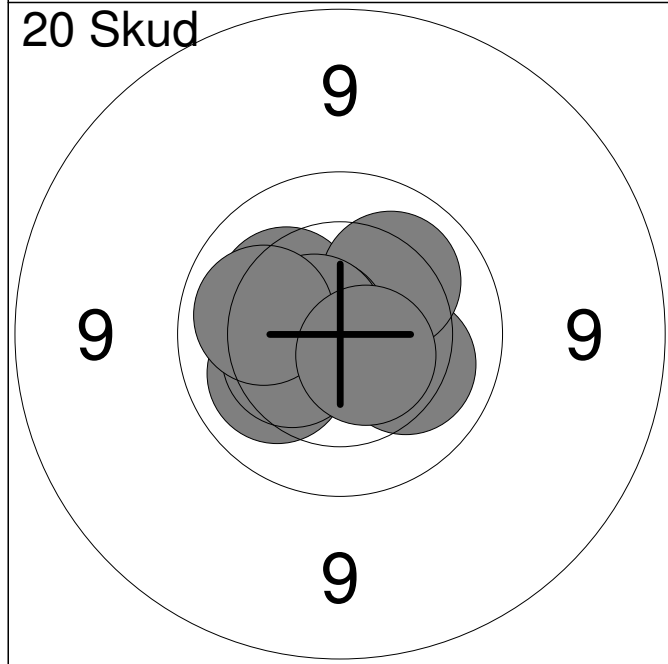
1:	9.9	↓
2:	10.0	↓
3:	9.4	←
4:	9.7	←
5:	9.3	↑
6:	9.6	→
7:	*10.6	↓
8:	10.1	↑
9:	9.6	→
10:	9.7	→
Serie		93.0
Total		93.0



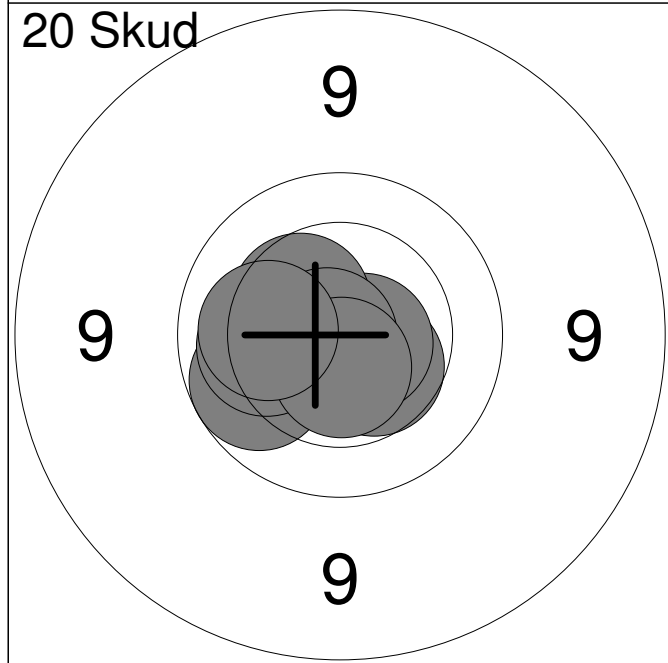
11:	10.0	→
12:	9.3	↓
13:	9.5	↑
14:	8.8	←
15:	9.8	↓
16:	9.8	↓
17:	7.9	→
18:	8.8	↗
19:	9.7	↘
20:	*10.5	↘
Serie		88.0
Total		181.0



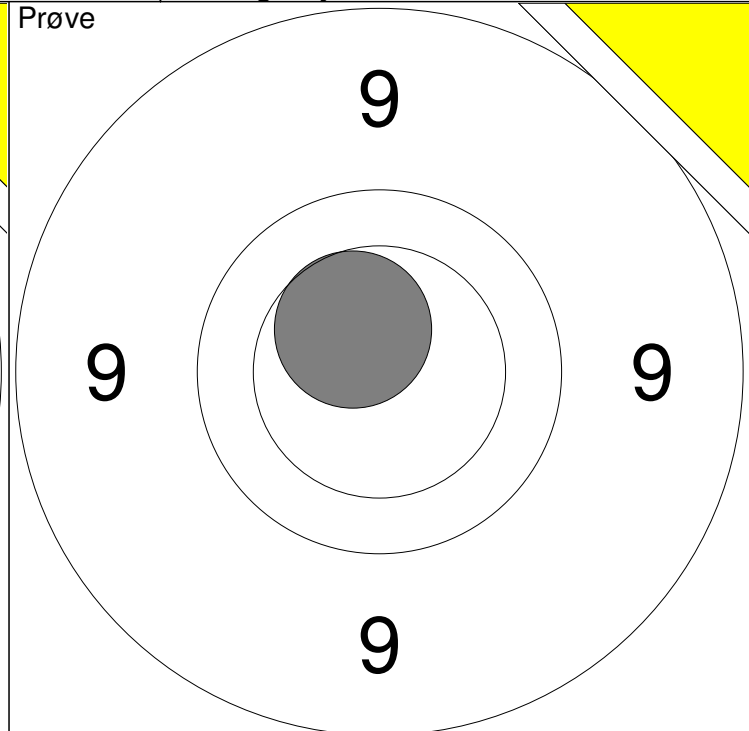
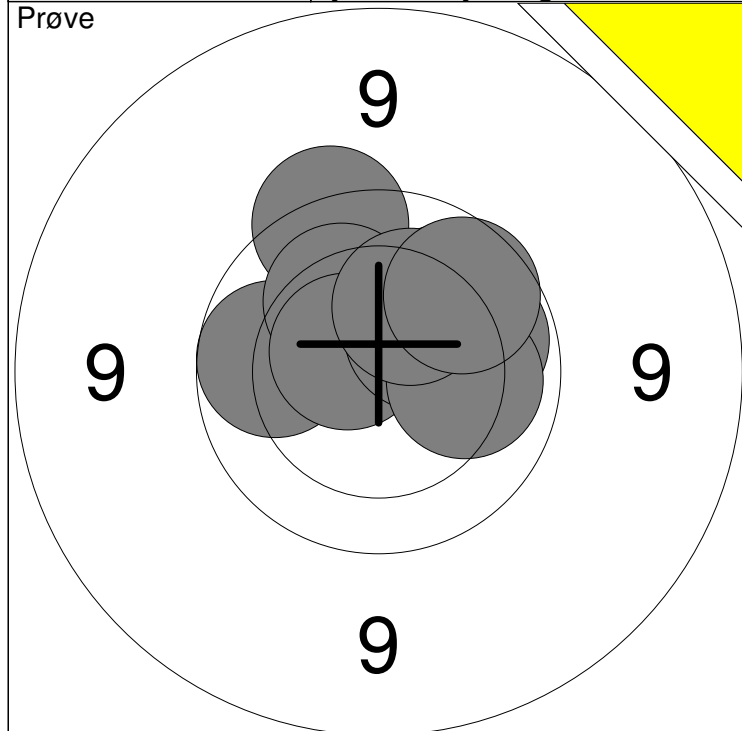
	1:	10.0	↗
	2:	10.4	→
	3:	10.2	→
	4:	*10.7	↘
	5:	10.1	←
	6:	*10.6	→
Serie			60.0
Total			0.0



	1:	10.4	↗
	2:	10.2	→
	3:	10.2	↗
	4:	10.2	↗
	5:	*10.7	←
	6:	10.1	←
	7:	*10.7	↗
	8:	10.4	←
	9:	10.1	←
	10:	*10.6	↘
Serie			100.0
Total			100.0

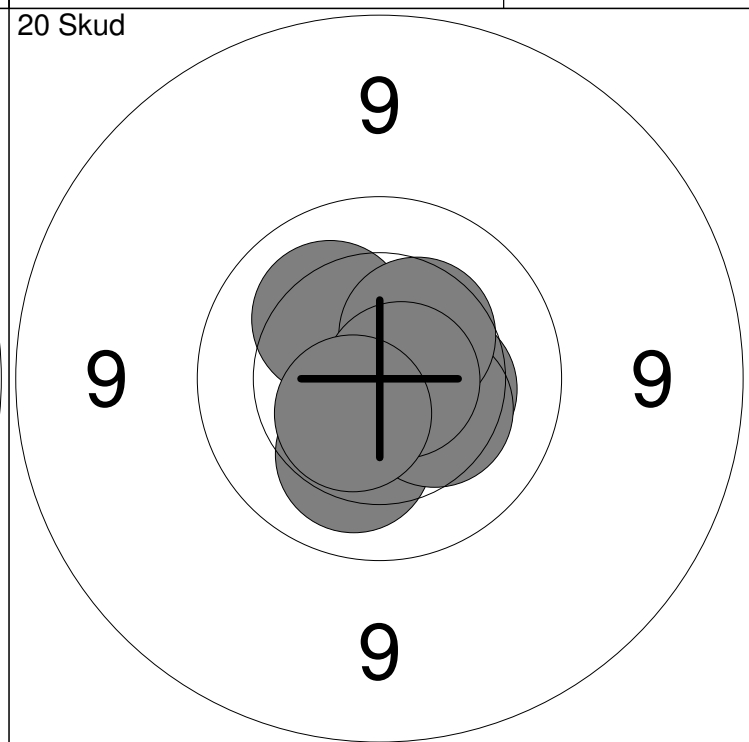
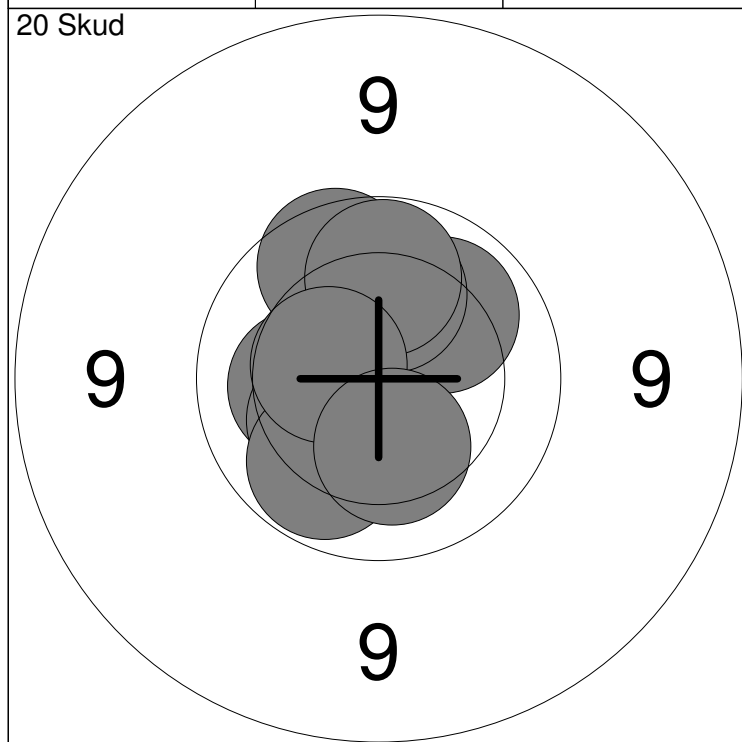


	11:	*10.7	←
	12:	9.9	←
	13:	10.4	↘
	14:	*10.7	→
	15:	*10.6	←
	16:	10.4	↗
	17:	10.1	←
	18:	*10.8	←
	19:	*10.6	↘
	20:	10.2	←
Serie			99.0
Total			199.0



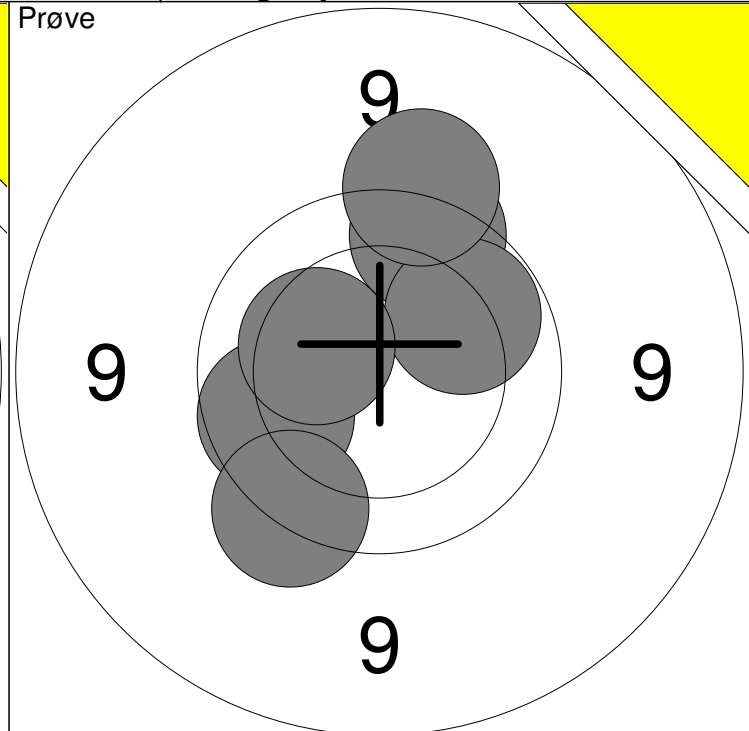
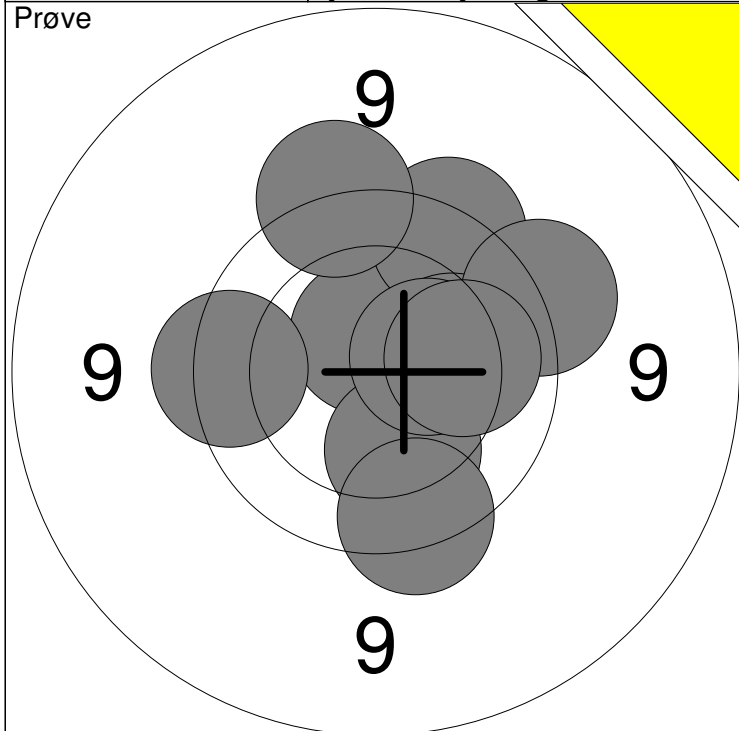
1: 9.7 ↗	6: 10.0 →	Serie	97.0
2: 9.9 ←	7: 10.4 ↗		
3: 10.2 ↗	8: 10.1 →	Total	0.0
4: 10.0 ↗	9: 10.3 ↗		
5: *10.6 ↗	10: 9.9 ↗		

11: 10.5 ↗	Serie	10.0
	Total	0.0



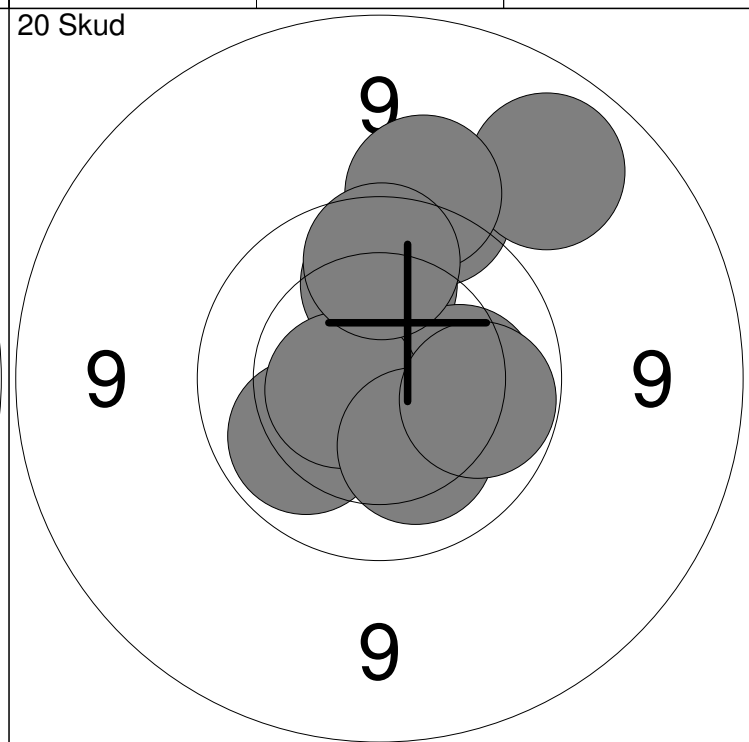
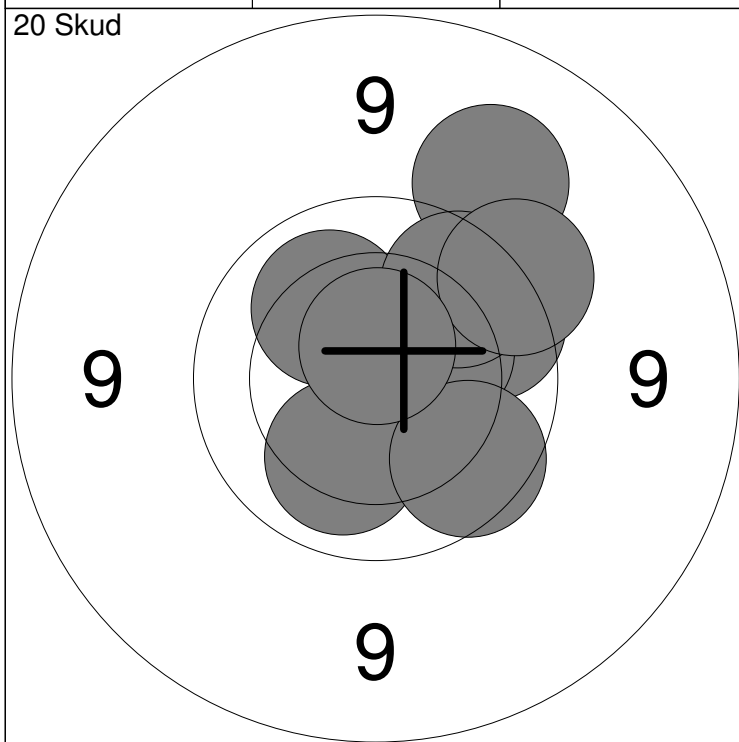
1: 10.2 ←	6: 10.0 ↑	Serie	99.0
2: 10.1 ↗	7: 10.3 ↘		
3: 10.2 ↑	8: 10.0 ↘	Total	99.0
4: 10.1 ↑	9: 10.5 ←		
5: 9.9 ↗	10: 10.3 ↓		

11: 10.4 →	16: 10.2 ↗	Serie	100.0
12: *10.7 ↘	17: 10.3 ↘		
13: *10.6 ↗	18: 10.4 ↗	Total	199.0
14: *10.6 ↑	19: *10.7 →		
15: 10.2 ↓	20: *10.5 ↘		



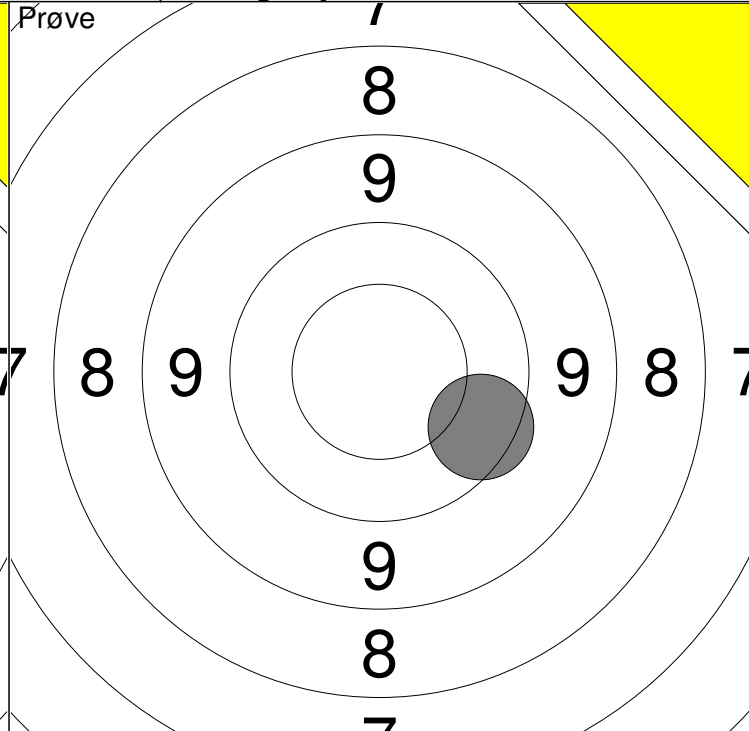
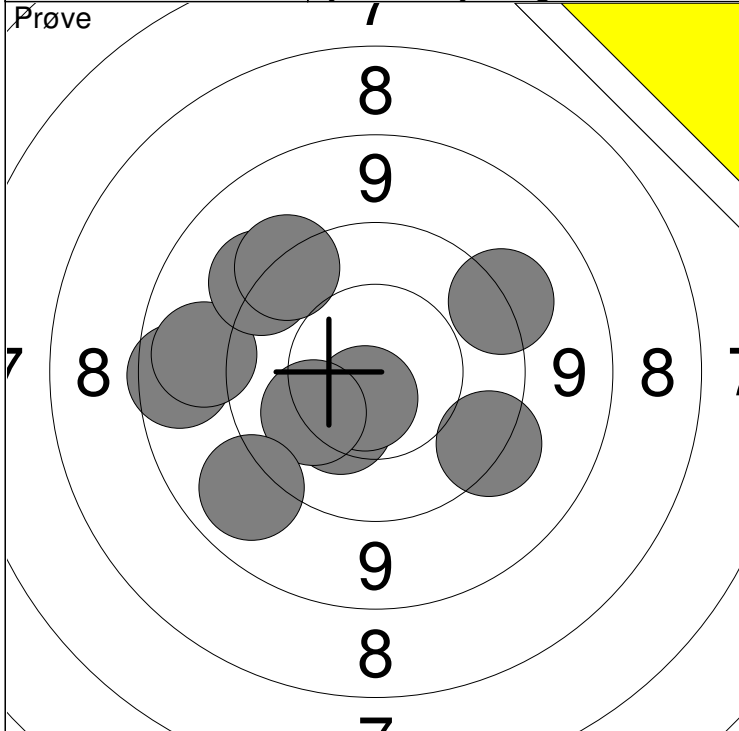
1: *10.6↑	6: 10.4 →	Serie	95.0
2: 9.7 ↗	7: 9.7 ←		
3: 10.2 →	8: 9.7 ↓	Total	0.0
4: 9.5 →	9: 9.5 ↑		
5: 10.2 ↓	10: 10.1 →		

11: 9.7 ↑	16: 10.3 ←	Serie	56.0
12: 10.0 ↗	13: 9.5 ↑		
14: 9.9 ←	15: 9.6 ↘	Total	0.0



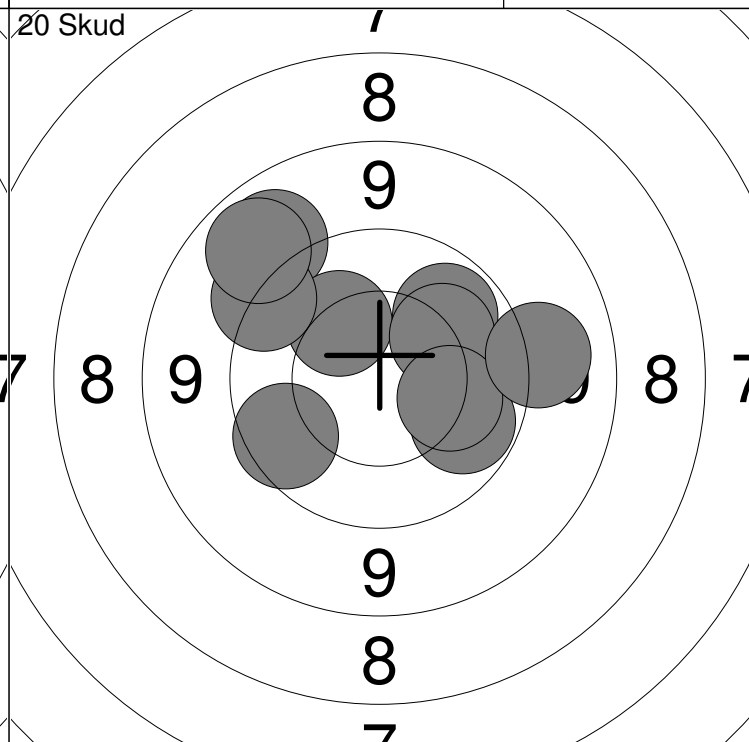
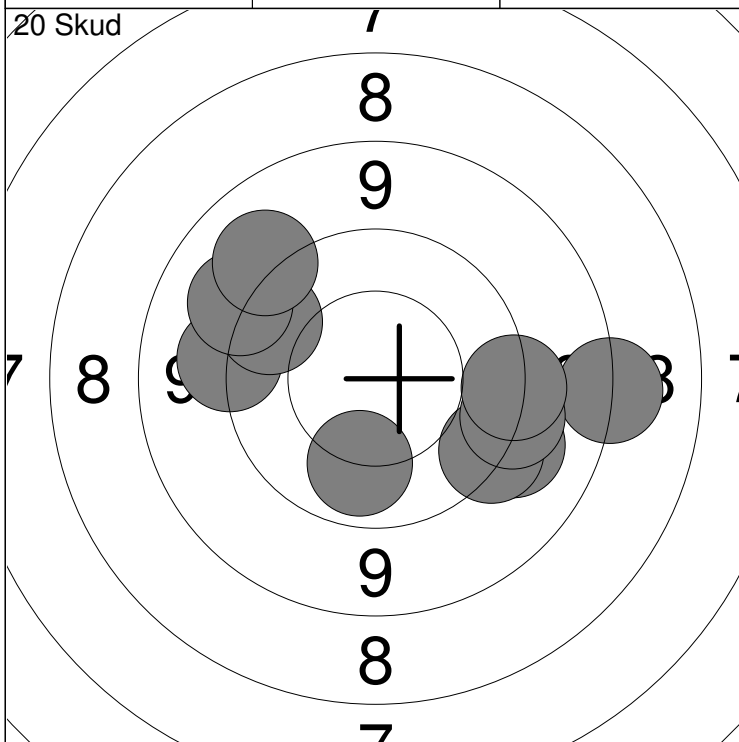
1: 10.1 ↓	6: 10.3 →	Serie	95.0
2: 10.4 ↗	7: 9.9 ↗		
3: 9.3 ↗	8: 9.6 →	Total	95.0
4: 9.8 →	9: 9.8 ↘		
5: 10.1 ↘	10: *10.6↑		

11: 10.0 ↑	16: 9.1 ↗	Serie	96.0
12: 9.5 ↑	17: 9.5 ↑		
13: 10.2 →	18: 10.2 ↓	Total	191.0
14: 10.1 ←	19: 9.9 ↑		
15: *10.6↙	20: 10.0 →		



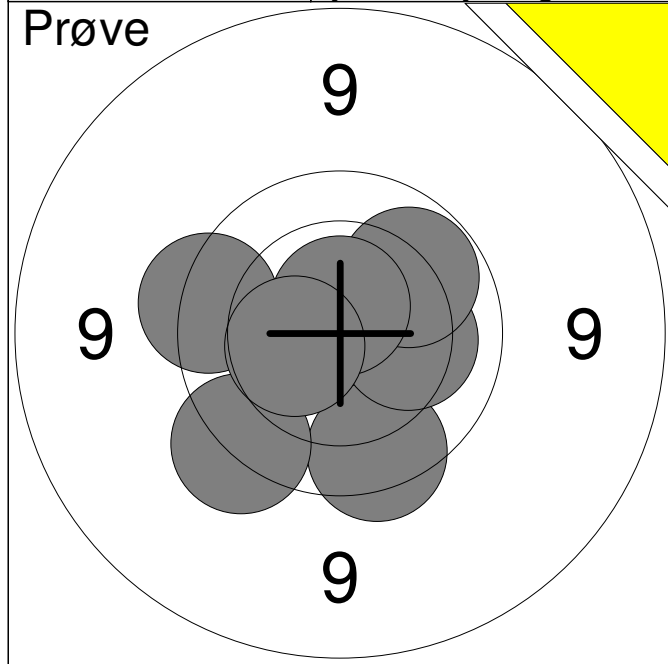
1: 8.8 ←	6: 9.1 ↙	Serie	92.0
2: 10.3 ↘	7: 9.4 ↗		
3: *10.7 ↓	8: 9.5 ↗	Total	0.0
4: 9.1 ←	9: 9.5 ↘		
5: 10.2 ↙	10: 9.4 ↗		

11: 9.7 →	Serie	9.0
	Total	0.0

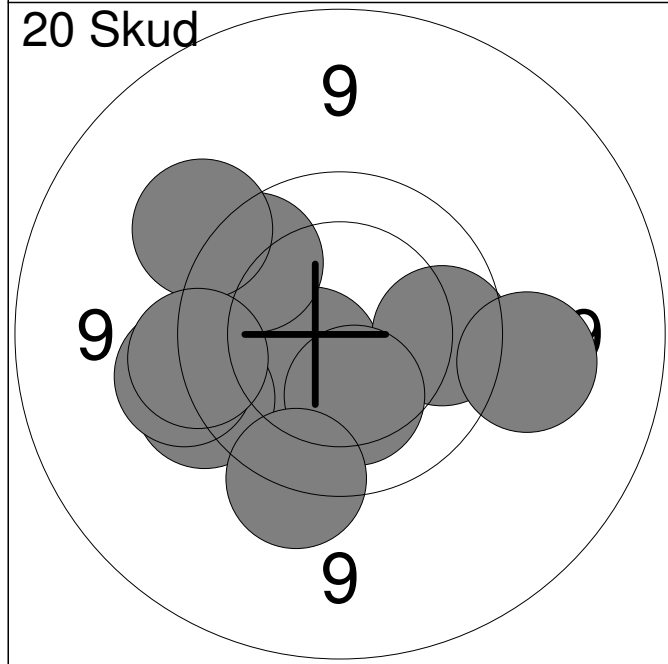


1: 8.4 →	6: 9.5 →	Serie	90.0
2: 9.3 ↘	7: 9.7 ↗		
3: 9.5 ↘	8: 9.3 ↗	Total	90.0
4: 9.4 →	9: 10.1 ↓		
5: 9.4 ←	10: 9.2 ↗		

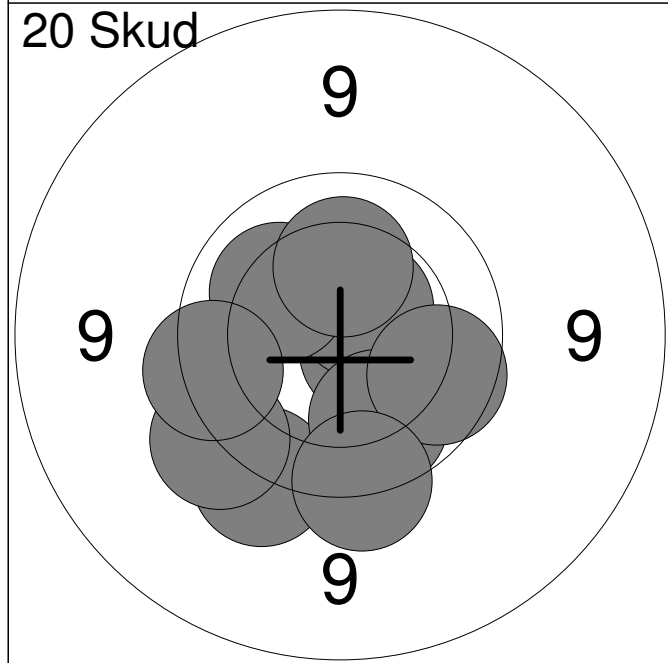
11: 9.1 ↗	16: 10.0 →	Serie	95.0
12: 9.8 ↙	17: 10.2 ↗		
13: 10.2 ↗	18: 10.2 →	Total	185.0
14: 9.4 ↙	19: 9.2 →		
15: 10.0 ↗	20: 9.1 ↙		



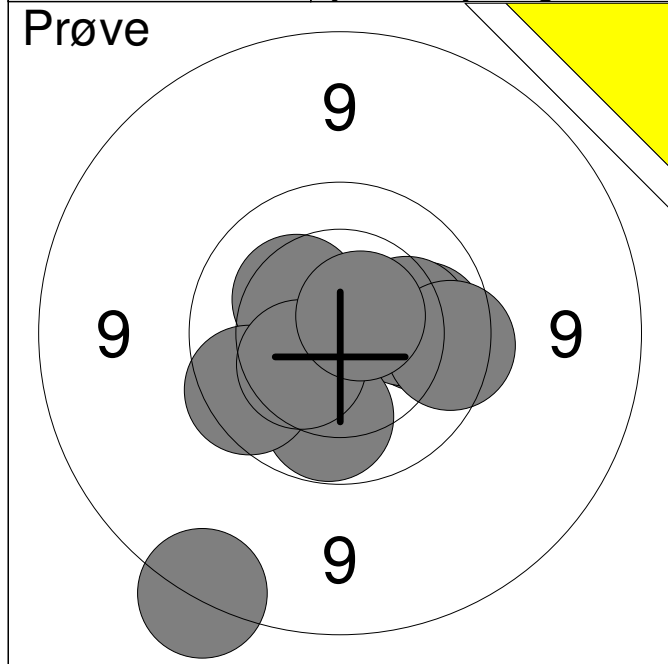
1:	9.8	↓
2:	10.2	→
3:	9.6	↙
4:	10.0	↗
5:	9.7	←
6:	*10.7	↑
7:	10.4	←
Serie		67.0
Total		0.0



1:	*10.6	↙
2:	9.8	↗
3:	9.6	↙
4:	9.9	→
5:	10.3	↓
6:	9.5	←
7:	9.5	↗
8:	9.4	→
9:	9.6	↓
10:	9.6	←
Serie		92.0
Total		92.0

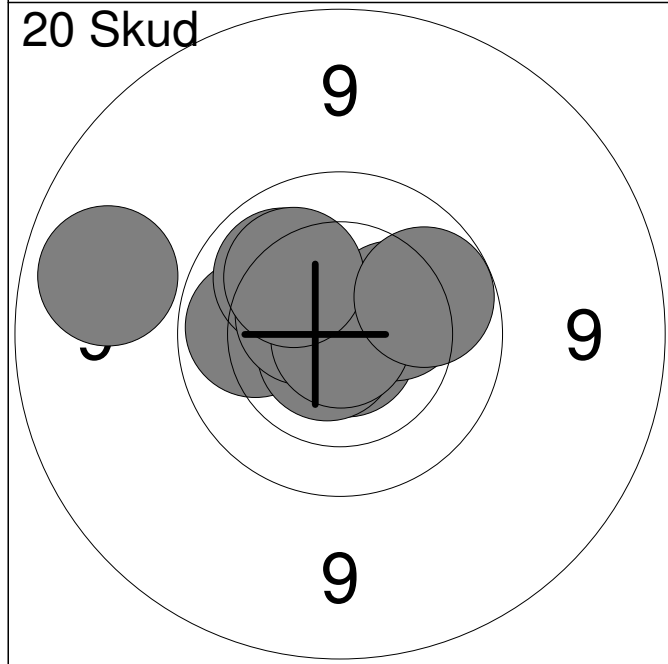


11:	*10.6	↘
12:	*10.6	↗
13:	9.5	↙
14:	9.9	↓
15:	9.5	↙
16:	10.2	↗
17:	9.9	→
18:	10.2	↑
19:	9.7	←
20:	9.6	↓
Serie		94.0
Total		186.0



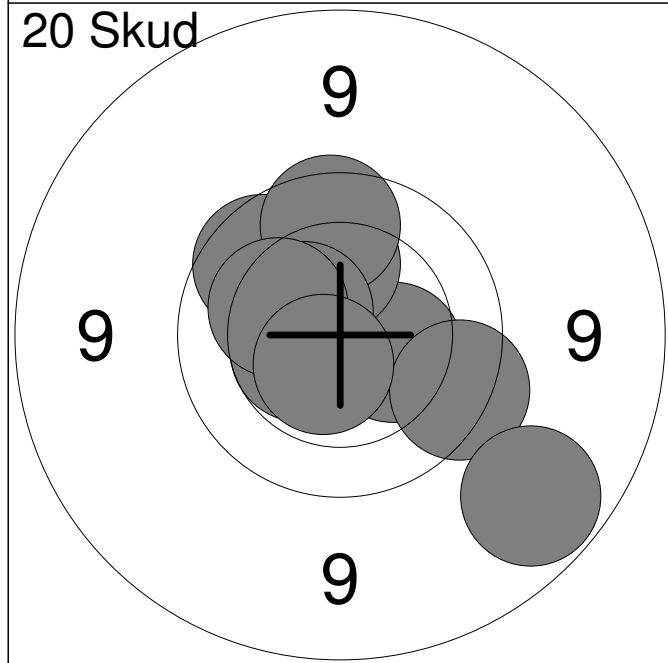
1:	8.7	↙
2:	10.0	→
3:	10.2	→
4:	10.3	↗
5:	10.0	↘
6:	9.8	↙
7:	9.8	→
8:	10.4	↙
9:	*10.6	↗

Serie	86.0
Total	0.0



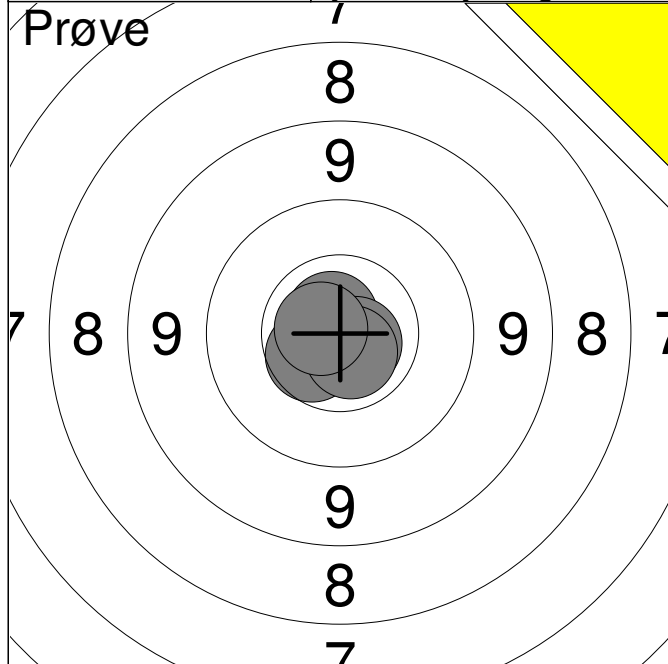
1:	*10.8	↘
2:	10.0	←
3:	10.1	↗
4:	*10.7	↘
5:	*10.5	↗
6:	10.3	→
7:	9.0	←
8:	*10.9	↘
9:	10.2	↗
10:	10.0	→

Serie	99.0
Total	99.0

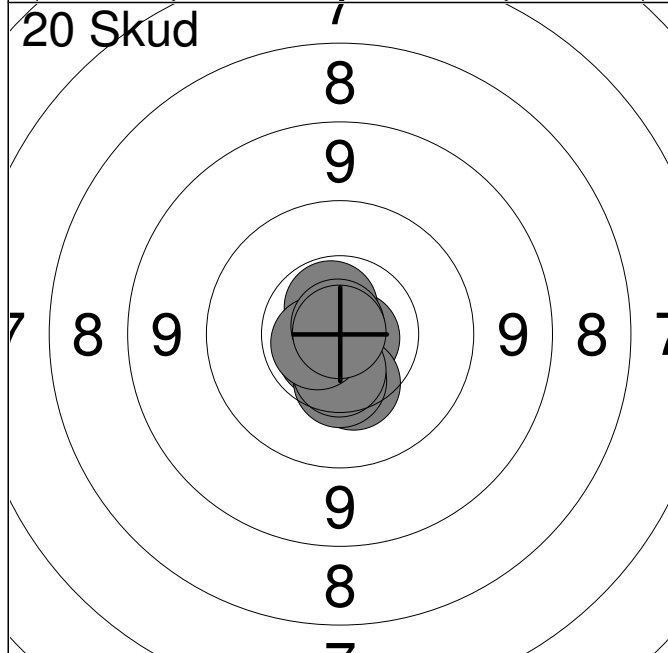


11:	10.4	→
12:	9.7	→
13:	9.9	↗
14:	10.2	↑
15:	9.8	↑
16:	9.0	↘
17:	*10.5	↙
18:	10.5	↗
19:	10.2	↗
20:	*10.6	↘

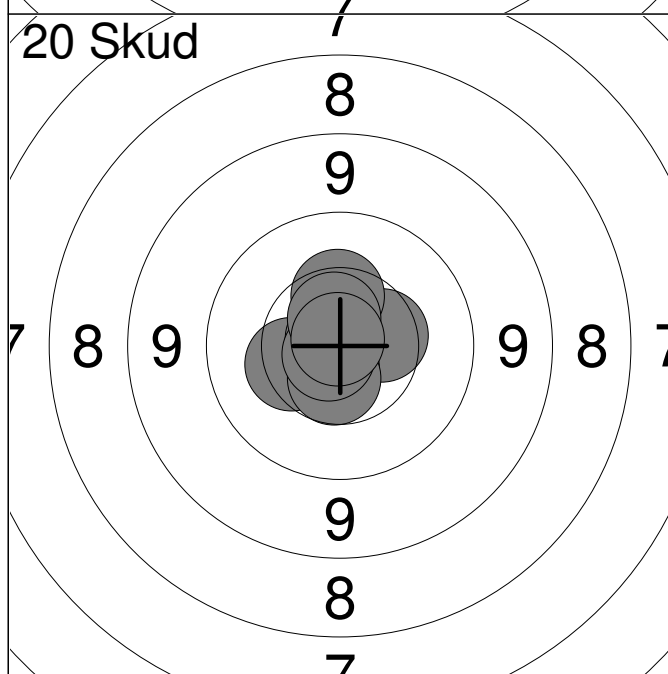
Serie	96.0
Total	195.0



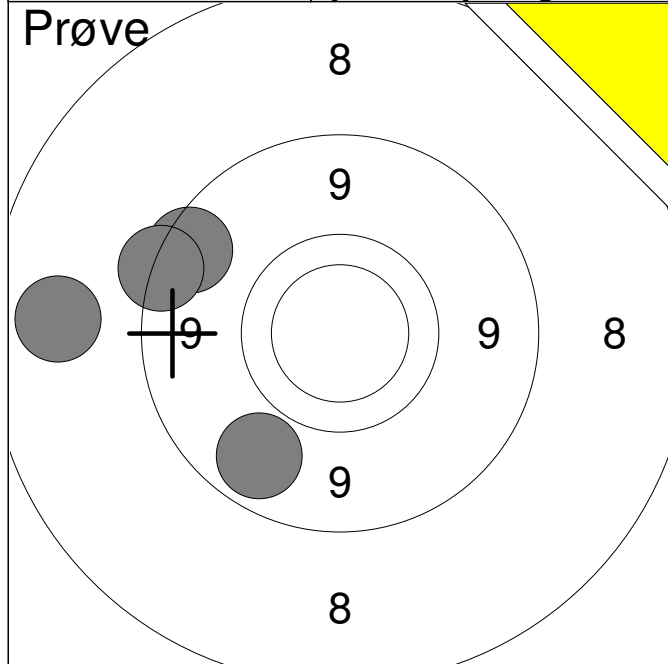
1:	*10.7	↗
2:	*10.7	↘
3:	*10.7	↙
4:	10.5	↖
5:	*10.7	↘
6:	*10.7	↖
Serie		60.0
Total		0.0



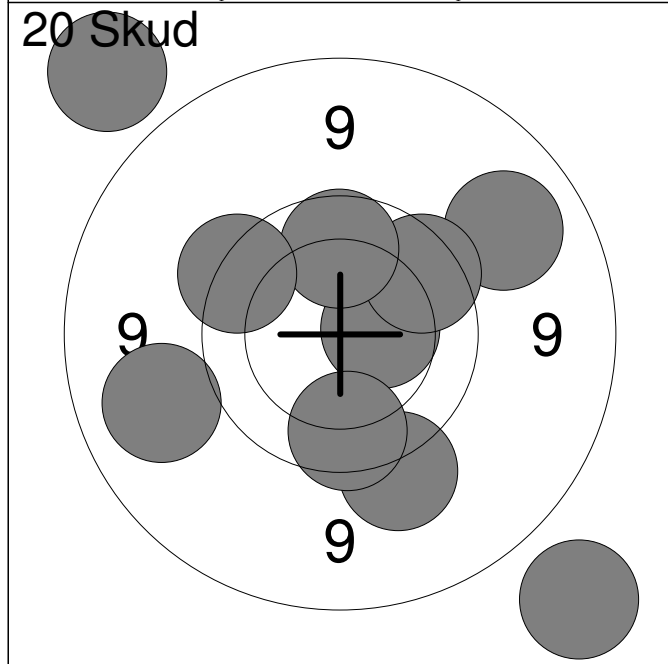
1:	*10.7	↙
2:	*10.7	↙
3:	*10.8	→
4:	10.4	↘
5:	10.4	↘
6:	*10.6	↗
7:	10.5	↘
8:	*10.7	↖
9:	*10.9	↗
10:	*10.9	↗
Serie		100.0
Total		100.0



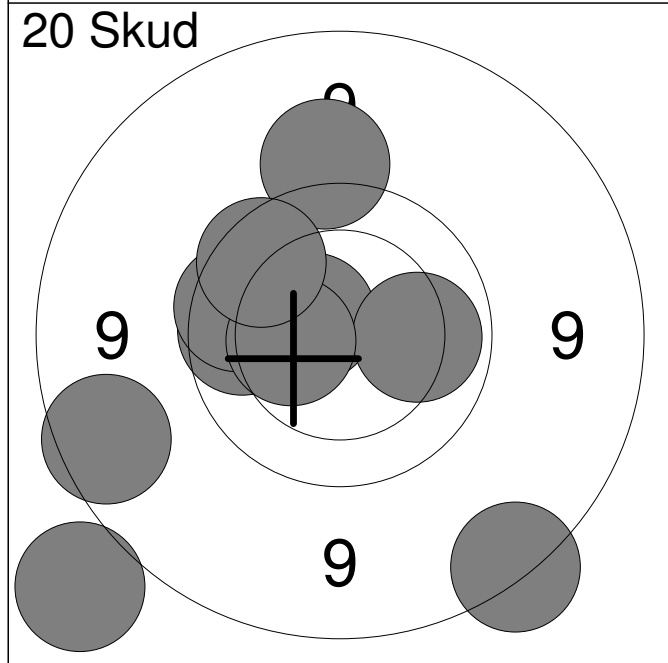
11:	*10.9	↗
12:	10.5	→
13:	*10.7	↘
14:	10.4	↖
15:	10.6	↘
16:	*10.8	↗
17:	*10.8	↖
18:	10.4	↗
19:	*10.6	↗
20:	*10.9	↗
Serie		100.0
Total		200.0



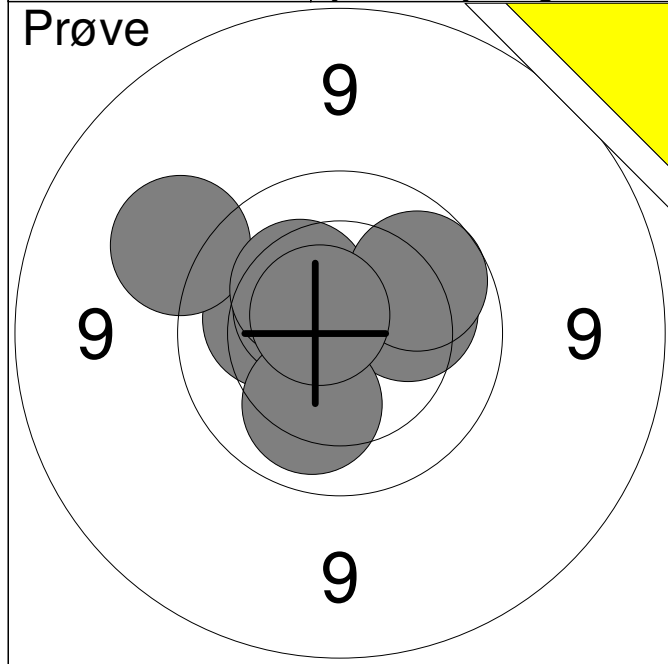
1:	8.8	↗
2:	8.1	←
3:	8.7	↖
4:	9.0	↘
Serie		33.0
Total		0.0



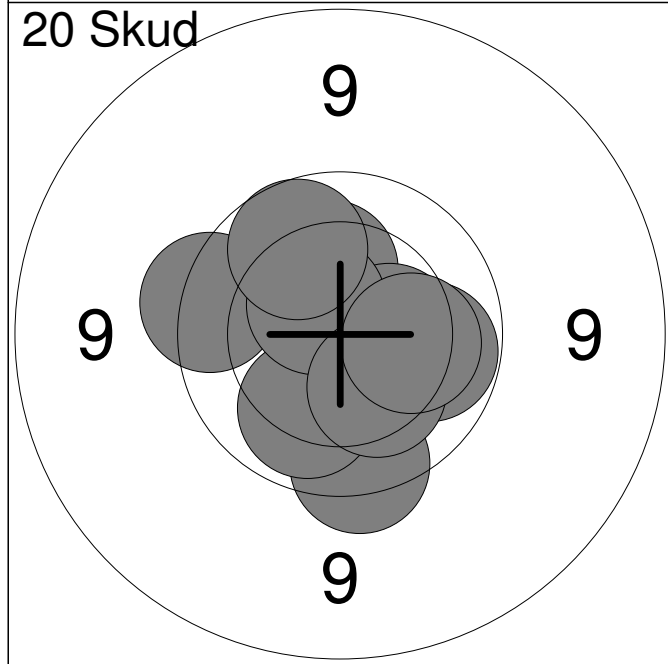
1:	8.3	↘
2:	10.4	→
3:	9.1	↗
4:	9.8	↗
5:	8.3	↖
6:	9.9	↑
7:	9.4	↘
8:	9.8	↘
9:	9.7	↖
10:	9.1	←
Serie		89.0
Total		89.0



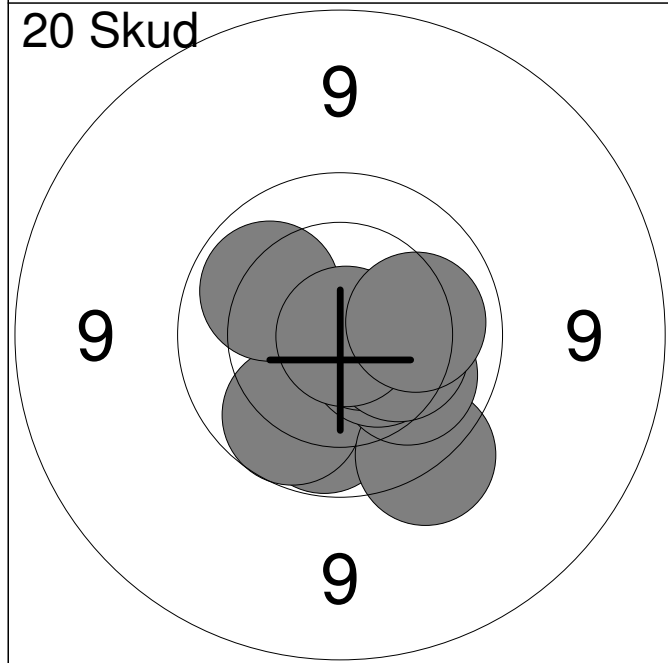
11:	8.7	↘
12:	9.9	←
13:	8.4	↘
14:	9.8	←
15:	*10.6	↗
16:	8.9	←
17:	10.1	→
18:	10.4	←
19:	9.4	↑
20:	9.8	↖
Serie		90.0
Total		179.0



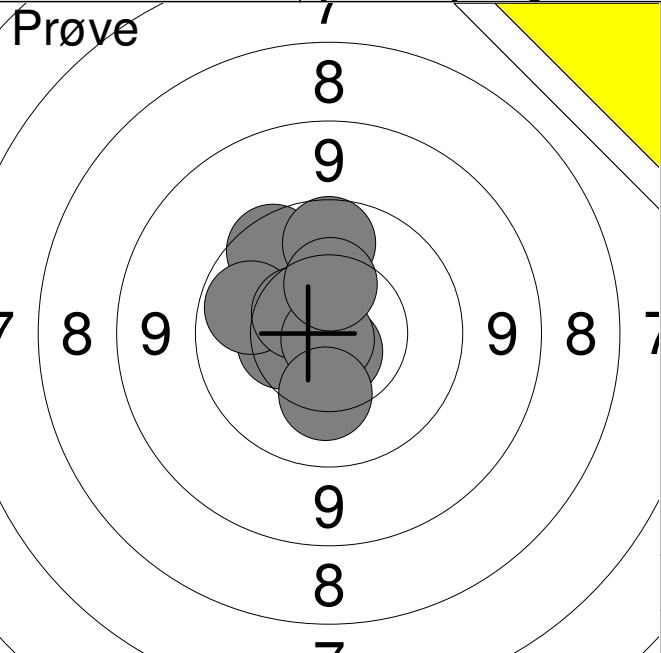
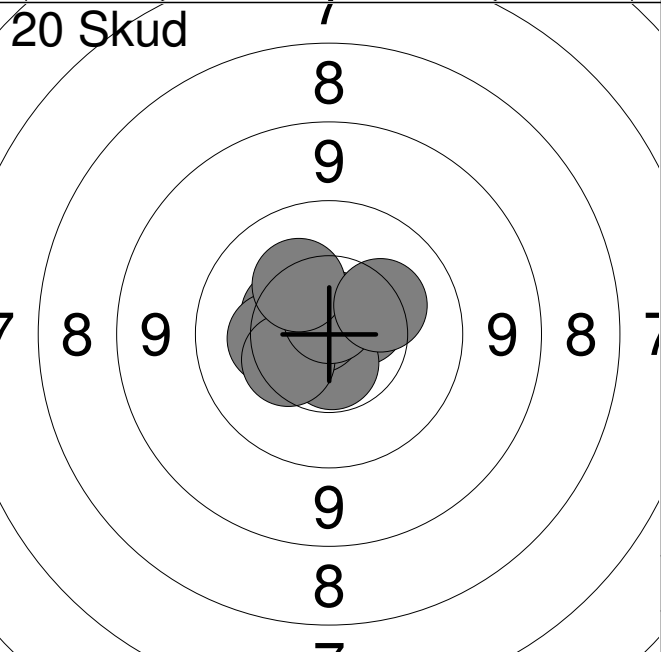
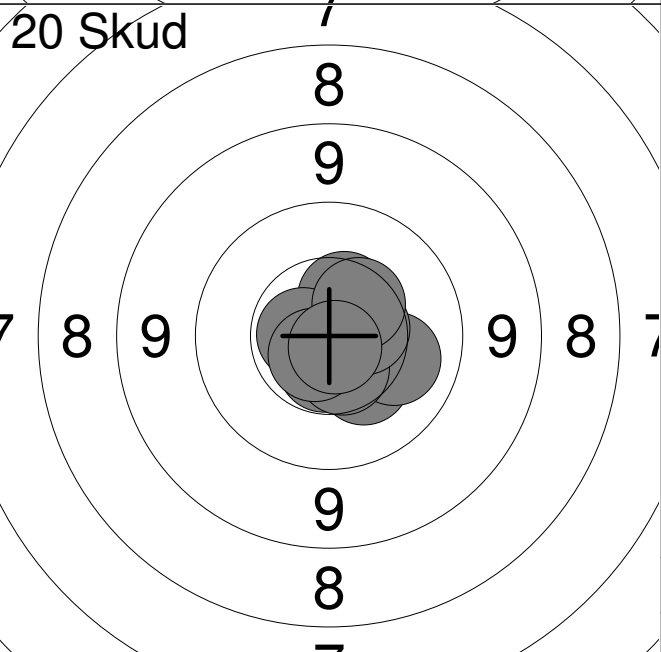
1:	10.2	↖
2:	9.4	↗
3:	10.5	↗
4:	10.3	↗
5:	10.2	→
6:	10.1	↘
7:	9.9	↗
8:	*10.7	↗
Serie		78.0
Total		0.0

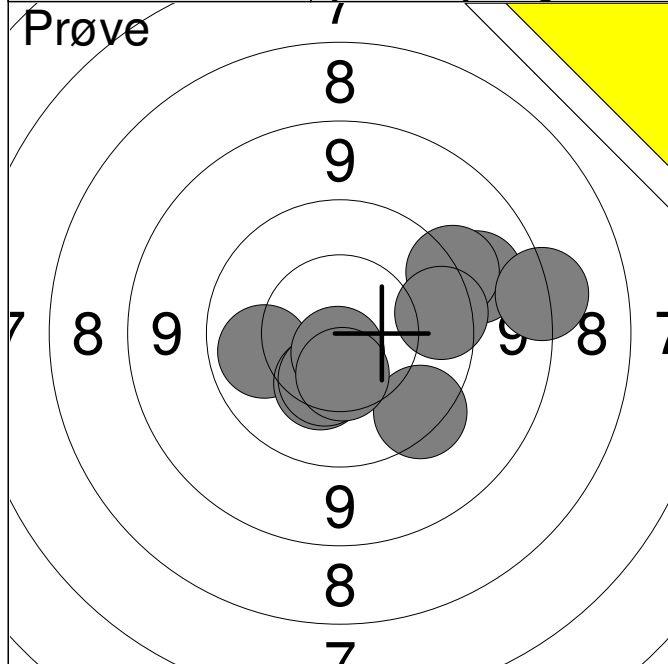


1:	10.2	↑
2:	10.4	→
3:	9.7	↘
4:	9.7	↖
5:	10.0	→
6:	10.1	↘
7:	*10.5	↗
8:	9.9	↗
9:	10.3	↘
10:	10.2	→
Serie		97.0
Total		97.0

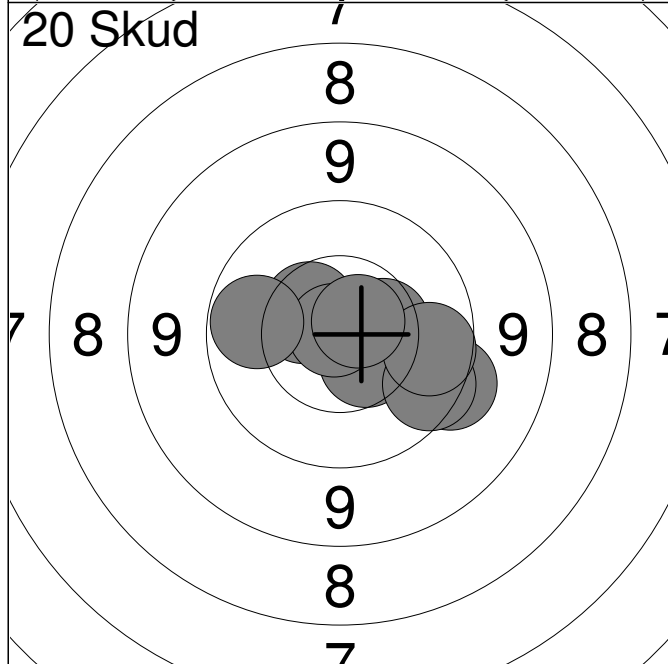


11:	10.0	↘
12:	9.9	↘
13:	9.6	↘
14:	10.1	↘
15:	10.5	↘
16:	*10.7	→
17:	10.3	↘
18:	10.1	↗
19:	*10.9	→
20:	10.1	→
Serie		98.0
Total		195.0

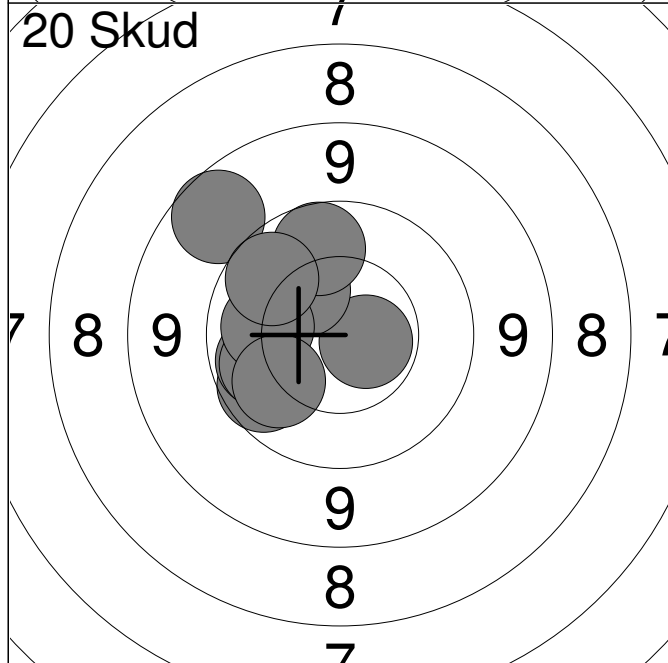
	Jyllandsskydning	Aalborg Skyttekreds																																			
<p style="font-size: 1.5em; margin:0;">Prøve</p> 	<table style="width:100%; border-collapse: collapse;"> <tr><td style="width:5%;">1:</td><td style="width:15%;">*10.7</td><td style="width:10%; text-align: center;">↓</td></tr> <tr><td>2:</td><td>10.4</td><td style="text-align: center;">←</td></tr> <tr><td>3:</td><td>9.8</td><td style="text-align: center;">↗</td></tr> <tr><td>4:</td><td>10.0</td><td style="text-align: center;">↖</td></tr> <tr><td>5:</td><td>10.5</td><td style="text-align: center;">↗</td></tr> <tr><td>6:</td><td>9.9</td><td style="text-align: center;">↑</td></tr> <tr><td>7:</td><td>*10.7</td><td style="text-align: center;">↓</td></tr> <tr><td>8:</td><td>10.4</td><td style="text-align: center;">↑</td></tr> <tr><td>9:</td><td>10.2</td><td style="text-align: center;">↓</td></tr> <tr><td colspan="2">Serie</td><td style="text-align: right;">88.0</td></tr> <tr><td colspan="2">Total</td><td style="text-align: right;">0.0</td></tr> </table>	1:	*10.7	↓	2:	10.4	←	3:	9.8	↗	4:	10.0	↖	5:	10.5	↗	6:	9.9	↑	7:	*10.7	↓	8:	10.4	↑	9:	10.2	↓	Serie		88.0	Total		0.0			
1:	*10.7	↓																																			
2:	10.4	←																																			
3:	9.8	↗																																			
4:	10.0	↖																																			
5:	10.5	↗																																			
6:	9.9	↑																																			
7:	*10.7	↓																																			
8:	10.4	↑																																			
9:	10.2	↓																																			
Serie		88.0																																			
Total		0.0																																			
<p style="font-size: 1.5em; margin:0;">20 Skud</p> 	<table style="width:100%; border-collapse: collapse;"> <tr><td style="width:5%;">1:</td><td style="width:15%;">10.4</td><td style="width:10%; text-align: center;">↖</td></tr> <tr><td>2:</td><td>10.6</td><td style="text-align: center;">↗</td></tr> <tr><td>3:</td><td>*10.9</td><td style="text-align: center;">↓</td></tr> <tr><td>4:</td><td>*10.6</td><td style="text-align: center;">↓</td></tr> <tr><td>5:</td><td>*10.8</td><td style="text-align: center;">↗</td></tr> <tr><td>6:</td><td>10.3</td><td style="text-align: center;">←</td></tr> <tr><td>7:</td><td>10.4</td><td style="text-align: center;">←</td></tr> <tr><td>8:</td><td>*10.7</td><td style="text-align: center;">↑</td></tr> <tr><td>9:</td><td>10.3</td><td style="text-align: center;">↗</td></tr> <tr><td>10:</td><td>10.3</td><td style="text-align: center;">↗</td></tr> <tr><td colspan="2">Serie</td><td style="text-align: right;">100.0</td></tr> <tr><td colspan="2">Total</td><td style="text-align: right;">100.0</td></tr> </table>	1:	10.4	↖	2:	10.6	↗	3:	*10.9	↓	4:	*10.6	↓	5:	*10.8	↗	6:	10.3	←	7:	10.4	←	8:	*10.7	↑	9:	10.3	↗	10:	10.3	↗	Serie		100.0	Total		100.0
1:	10.4	↖																																			
2:	10.6	↗																																			
3:	*10.9	↓																																			
4:	*10.6	↓																																			
5:	*10.8	↗																																			
6:	10.3	←																																			
7:	10.4	←																																			
8:	*10.7	↑																																			
9:	10.3	↗																																			
10:	10.3	↗																																			
Serie		100.0																																			
Total		100.0																																			
<p style="font-size: 1.5em; margin:0;">20 Skud</p> 	<table style="width:100%; border-collapse: collapse;"> <tr><td style="width:5%;">11:</td><td style="width:15%;">10.5</td><td style="width:10%; text-align: center;">↗</td></tr> <tr><td>12:</td><td>*10.6</td><td style="text-align: center;">↓</td></tr> <tr><td>13:</td><td>10.3</td><td style="text-align: center;">↓</td></tr> <tr><td>14:</td><td>*10.6</td><td style="text-align: center;">←</td></tr> <tr><td>15:</td><td>10.1</td><td style="text-align: center;">↗</td></tr> <tr><td>16:</td><td>10.5</td><td style="text-align: center;">↓</td></tr> <tr><td>17:</td><td>10.5</td><td style="text-align: center;">→</td></tr> <tr><td>18:</td><td>*10.7</td><td style="text-align: center;">↖</td></tr> <tr><td>19:</td><td>10.4</td><td style="text-align: center;">↗</td></tr> <tr><td>20:</td><td>*10.8</td><td style="text-align: center;">↓</td></tr> <tr><td colspan="2">Serie</td><td style="text-align: right;">100.0</td></tr> <tr><td colspan="2">Total</td><td style="text-align: right;">200.0</td></tr> </table>	11:	10.5	↗	12:	*10.6	↓	13:	10.3	↓	14:	*10.6	←	15:	10.1	↗	16:	10.5	↓	17:	10.5	→	18:	*10.7	↖	19:	10.4	↗	20:	*10.8	↓	Serie		100.0	Total		200.0
11:	10.5	↗																																			
12:	*10.6	↓																																			
13:	10.3	↓																																			
14:	*10.6	←																																			
15:	10.1	↗																																			
16:	10.5	↓																																			
17:	10.5	→																																			
18:	*10.7	↖																																			
19:	10.4	↗																																			
20:	*10.8	↓																																			
Serie		100.0																																			
Total		200.0																																			



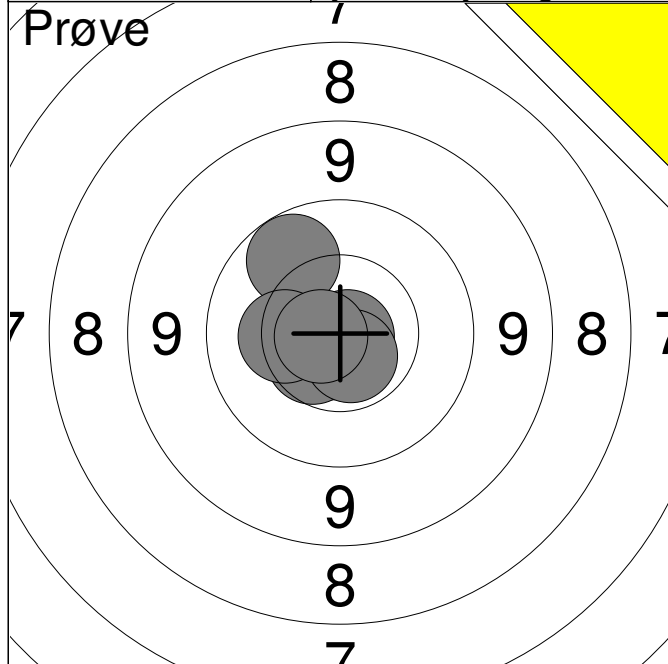
1:	10.0	←
2:	9.6	↘
3:	10.3	↘
4:	9.2	→
5:	9.4	↗
6:	10.4	↘
7:	8.4	→
8:	9.7	→
9:	*10.7	↘
10:	10.5	↘
Serie		94.0
Total		0.0



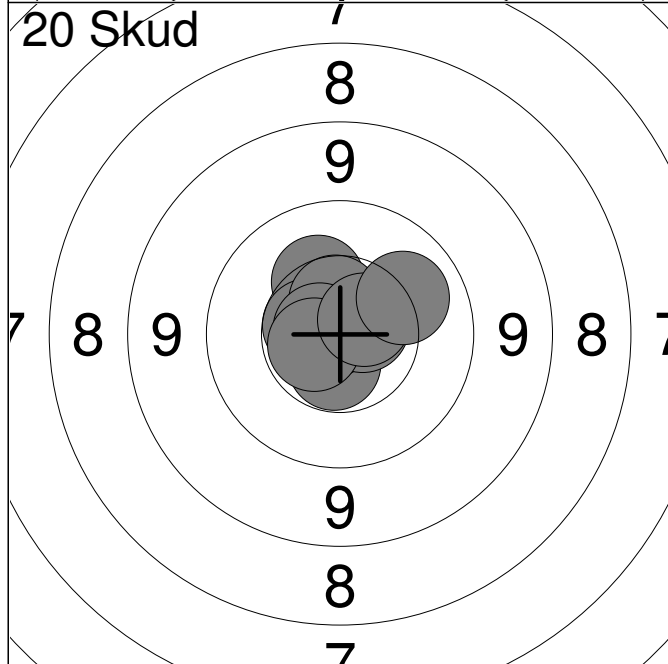
1:	9.5	↗
2:	10.4	→
3:	10.5	↘
4:	9.8	↘
5:	10.5	↗
6:	9.9	↘
7:	10.5	↗
8:	*10.9	↗
9:	*10.7	↗
10:	10.0	←
Serie		97.0
Total		97.0



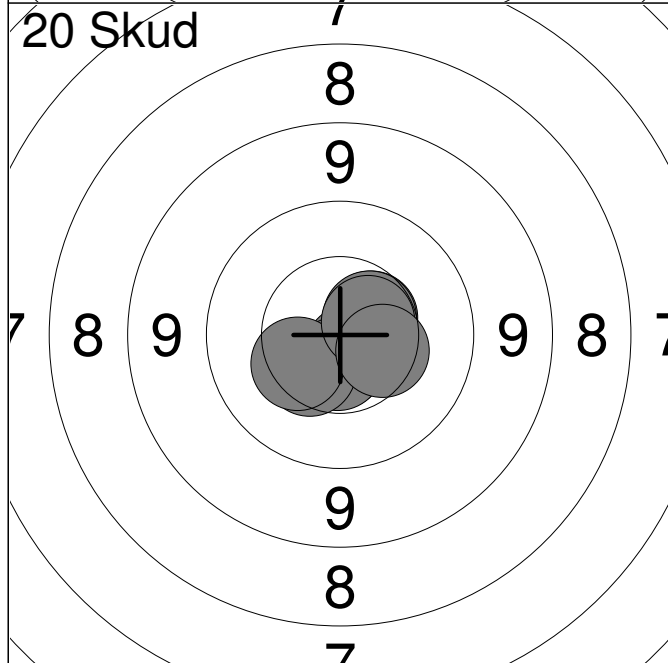
11:	*10.6	→
12:	9.9	↘
13:	10.0	←
14:	10.0	←
15:	10.3	↗
16:	8.9	↗
17:	10.1	←
18:	9.9	↗
19:	10.1	↘
20:	9.9	↗
Serie		95.0
Total		192.0



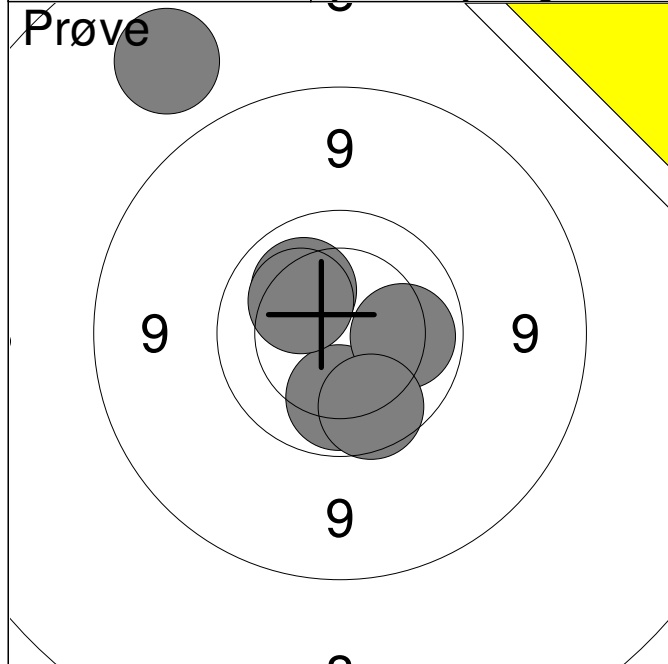
1:	*10.7	↓
2:	10.5	↙
3:	9.9	↗
4:	*10.9	↘
5:	*10.7	↓
6:	10.3	↙
7:	*10.7	↙
Serie		69.0
Total		0.0



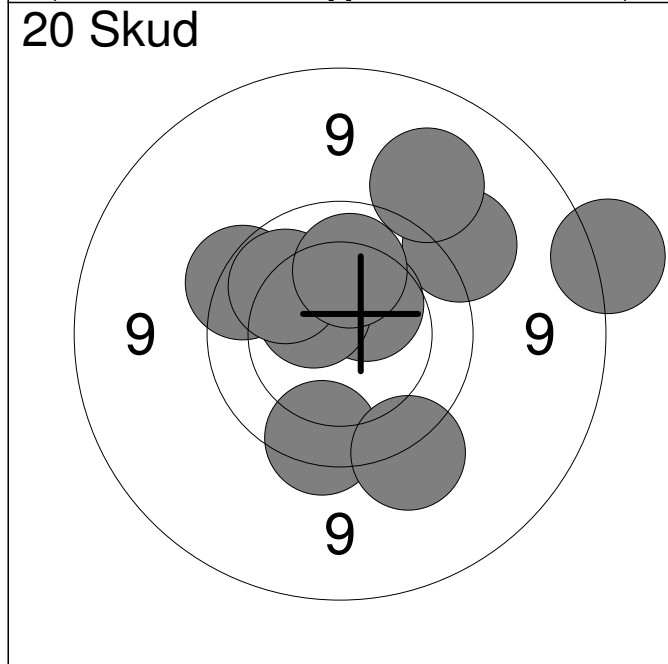
1:	10.3	↗
2:	*10.6	↓
3:	10.6	↙
4:	*10.8	↙
5:	10.6	↑
6:	*10.7	↘
7:	*10.7	↙
8:	*10.6	↙
9:	*10.6	↘
10:	10.1	↘
Serie		100.0
Total		100.0



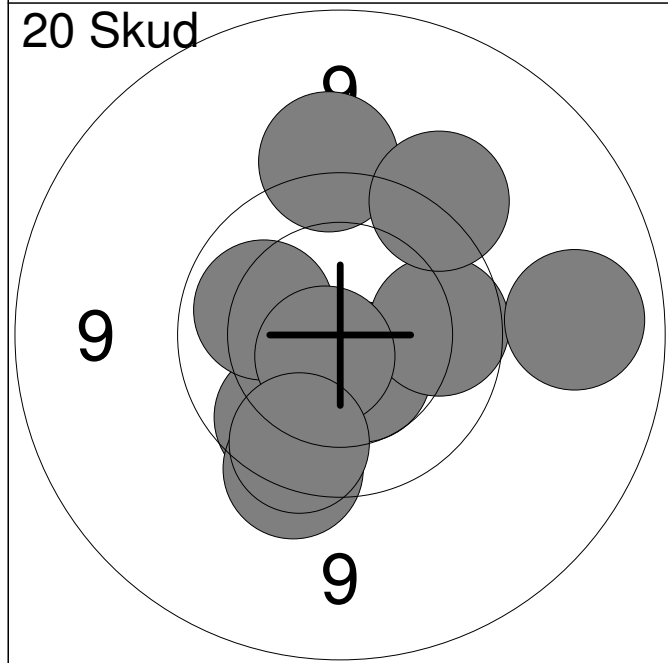
11:	*10.6	↓
12:	*10.7	↓
13:	10.5	↘
14:	*10.6	↘
15:	*10.6	↓
16:	10.4	↙
17:	10.4	↙
18:	10.6	↘
19:	*10.6	↘
20:	10.4	↘
Serie		100.0
Total		200.0



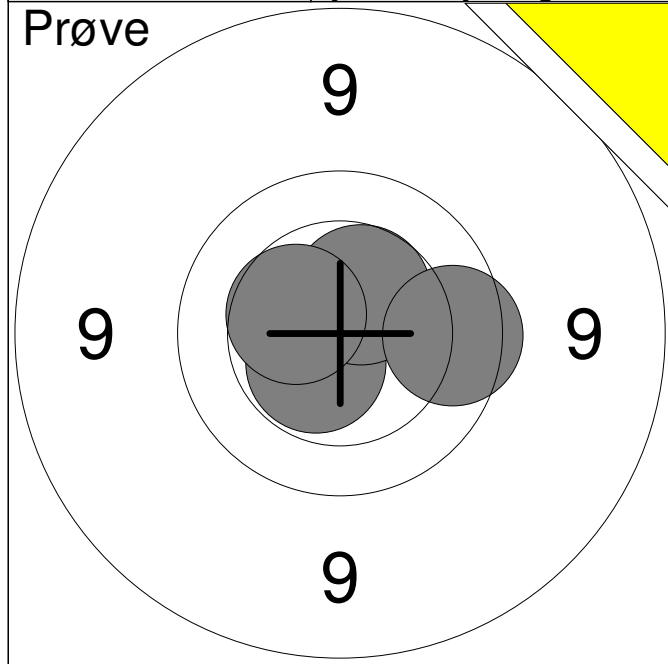
1:	10.0	↓
2:	10.1	→
3:	9.9	↓
4:	8.3	↗
5:	10.1	↗
6:	10.2	↗
Serie		57.0
Total		0.0



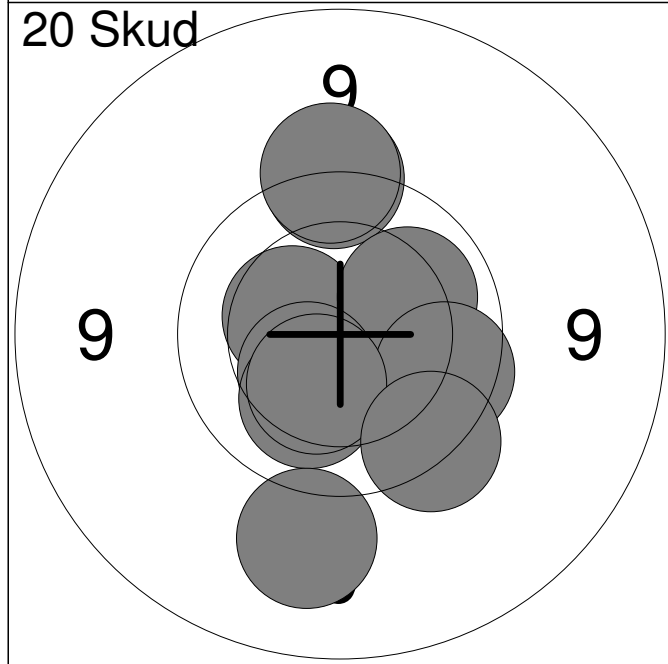
1:	9.4	↗
2:	10.4	↗
3:	8.6	→
4:	10.5	↗
5:	9.7	↗
6:	10.0	↗
7:	9.7	↓
8:	9.5	↓
9:	10.1	↑
10:	9.2	↗
Serie		93.0
Total		93.0



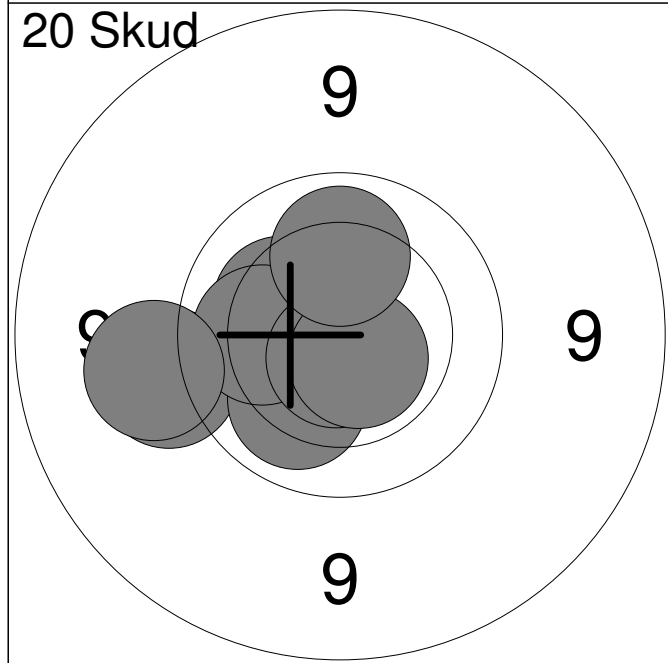
11:	9.5	↑
12:	9.9	↙
13:	10.5	↓
14:	9.9	→
15:	9.5	↗
16:	9.6	↓
17:	9.1	→
18:	10.1	↖
19:	*10.7	↙
20:	9.8	↓
Serie		93.0
Total		186.0



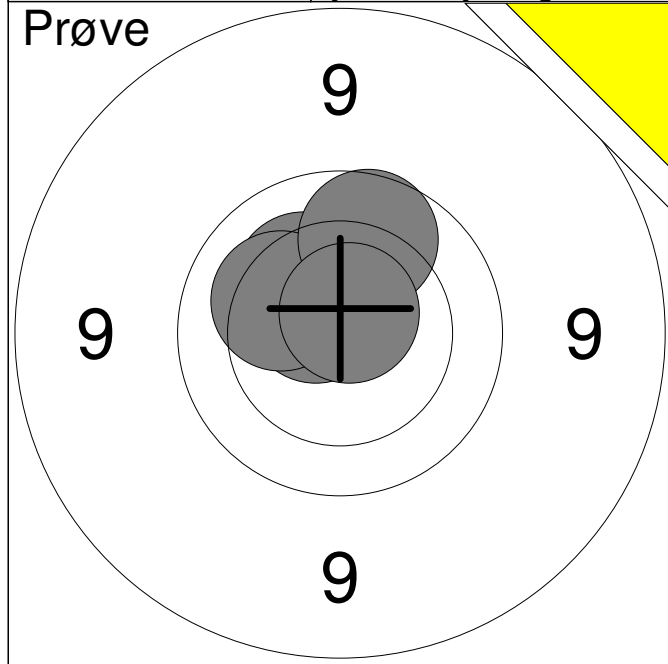
1:	*10.5	↙
2:	10.5	↑
3:	9.8	→
4:	10.4	↘
Serie		39.0
Total		0.0



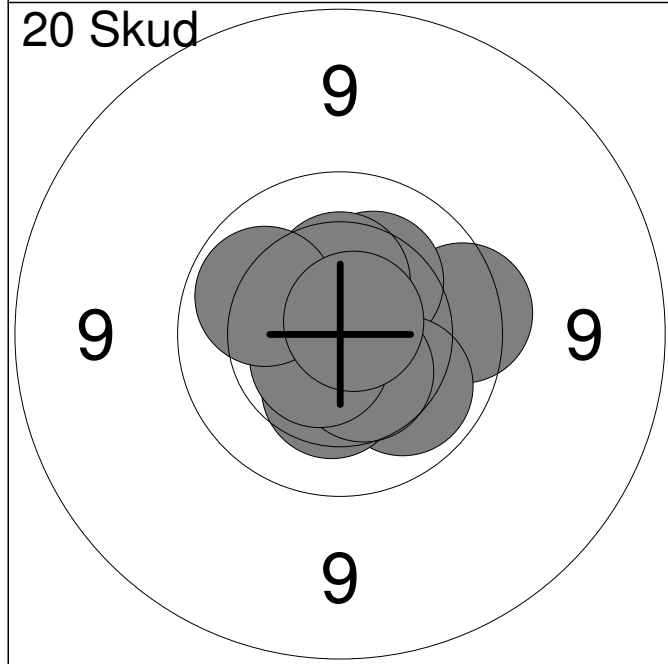
1:	10.4	↖
2:	9.6	↑
3:	10.1	↗
4:	9.8	→
5:	9.5	↑
6:	10.4	↙
7:	10.2	↙
8:	10.4	↙
9:	9.7	↘
10:	9.2	↘
Serie		95.0
Total		95.0



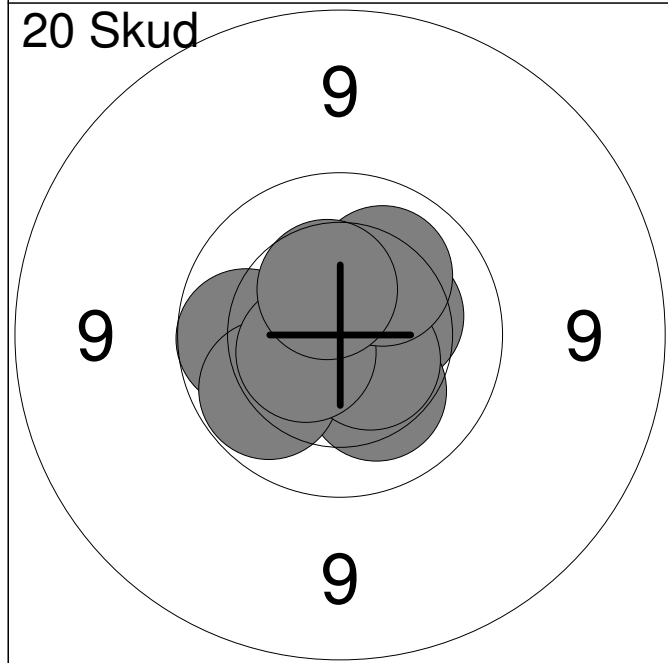
11:	10.5	↖
12:	10.3	↖
13:	9.4	↖
14:	10.4	↙
15:	10.1	↙
16:	10.1	↖
17:	*10.7	↘
18:	9.4	↖
19:	*10.6	↘
20:	10.1	↑
Serie		98.0
Total		193.0



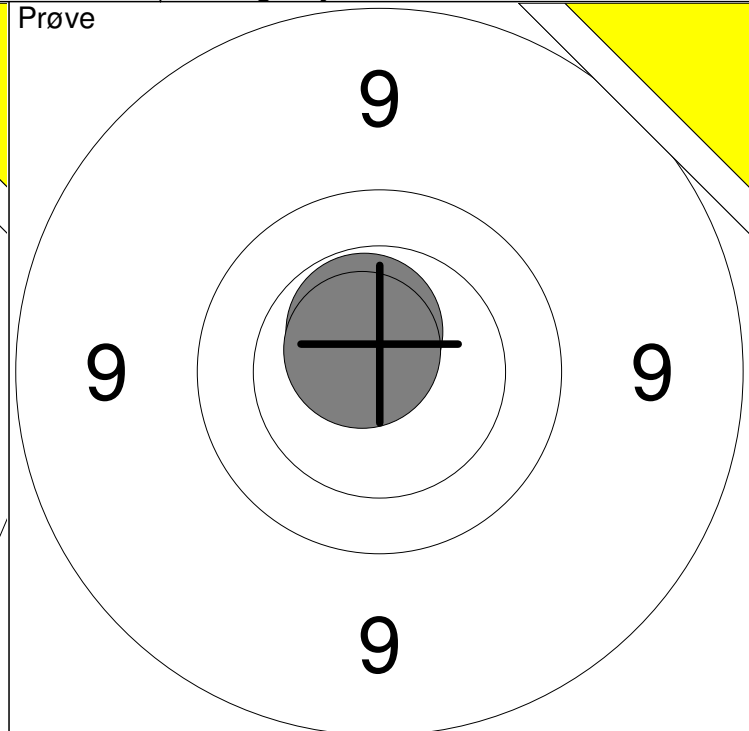
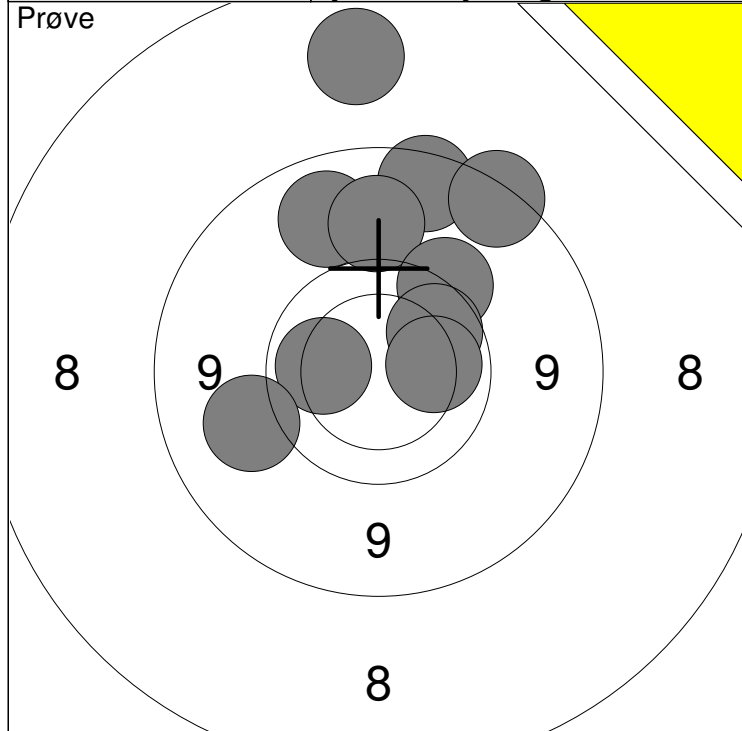
	1:	*10.6	↗
	2:	10.3	↗
	3:	10.2	↗
	4:	9.9	↗
	5:	*10.7	↗
Serie			49.0
Total			0.0



	1:	9.8	→
	2:	10.3	↗
	3:	10.1	↘
	4:	*10.9	↙
	5:	10.4	↘
	6:	10.5	↘
	7:	10.4	↑
	8:	*10.6	↙
	9:	10.0	↖
	10:	*10.8	↗
Serie			99.0
Total			99.0

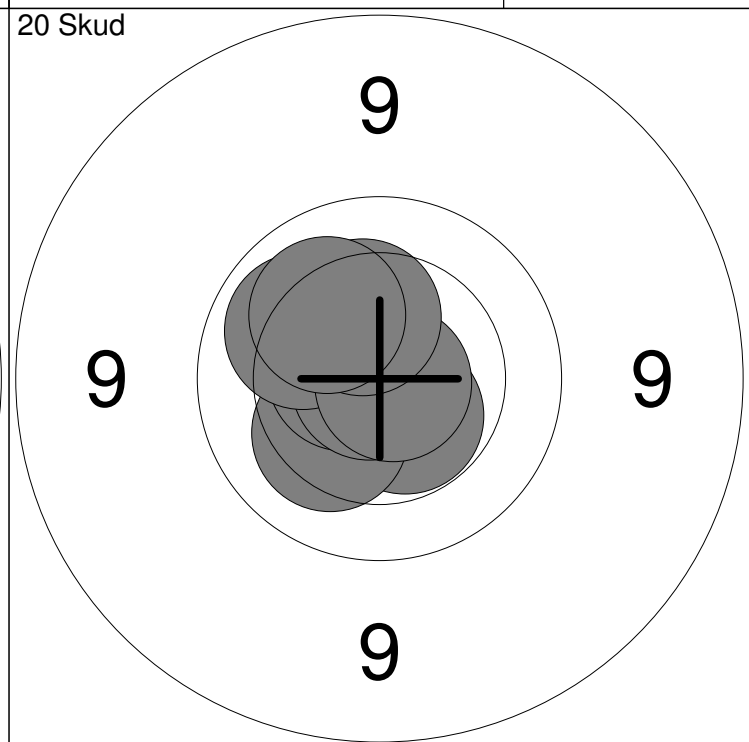
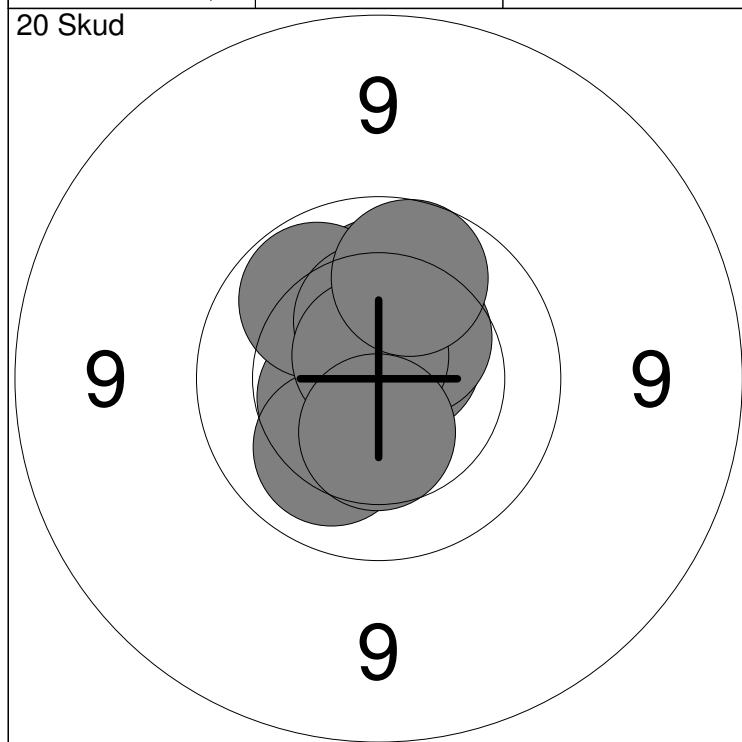


	11:	9.9	←
	12:	10.3	→
	13:	*10.7	↑
	14:	*10.6	↙
	15:	10.2	↘
	16:	10.0	↙
	17:	*10.5	↘
	18:	*10.5	↙
	19:	10.2	↗
	20:	10.4	↗
Serie			99.0
Total			198.0



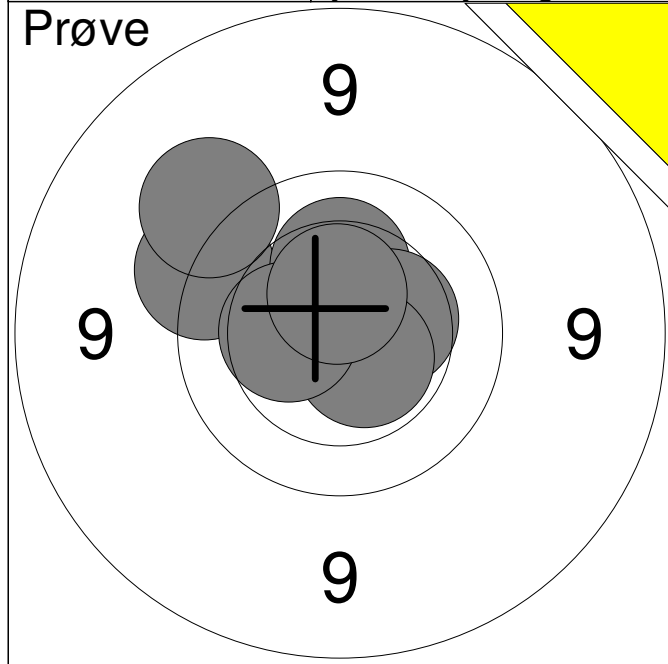
1: 8.1 ↑	6: 9.5 ↗	Serie	89.0
2: 8.8 ↑	7: 9.9 ↗		
3: 8.8 ↗	8: 10.1 →	Total	0.0
4: 9.1 ↑	9: 10.1 ←		
5: 9.2 ↑	10: 9.3 ←		

11: *10.5 ↗	Serie	20.0
12: *10.7 ↘		
Total		0.0

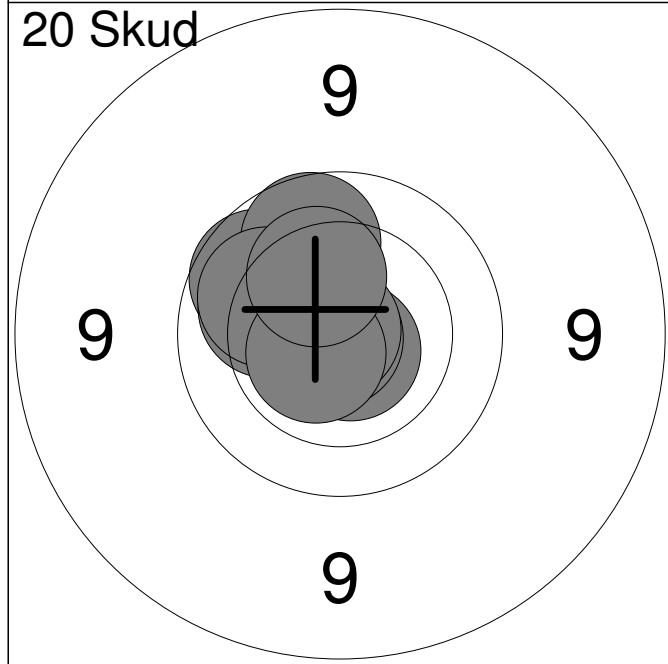


1: *10.5 ↘	6: 10.1 ↘	Serie	99.0
2: 10.2 ↑	7: 10.4 ↗		
3: 10.0 ↘	8: *10.7 ↗	Total	99.0
4: 10.4 ↑	9: 9.9 ↑		
5: *10.6 ↗	10: 10.4 ↓		

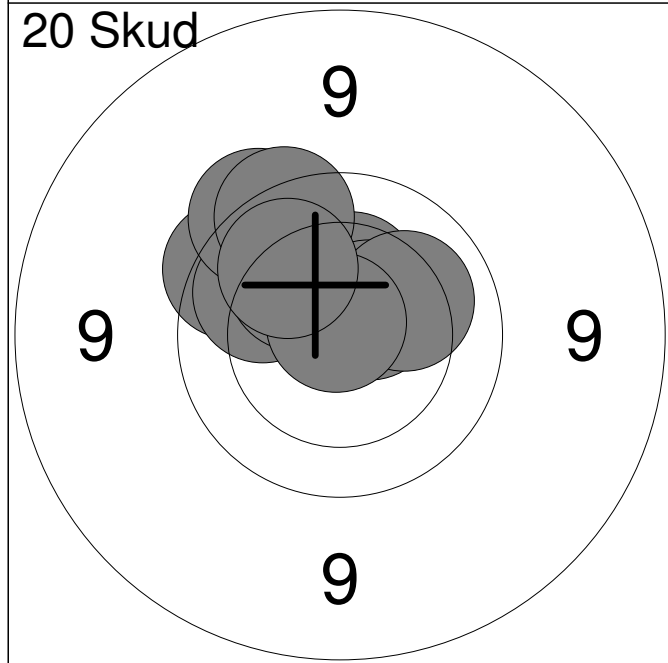
11: 10.2 ↘	16: *10.9 ↘	Serie	100.0
12: *10.5 ↘	17: 10.1 ↘		
13: 10.2 ↘	18: *10.8 →	Total	199.0
14: *10.7 ↗	19: 10.3 ↑		
15: *10.6 ↘	20: 10.2 ↘		



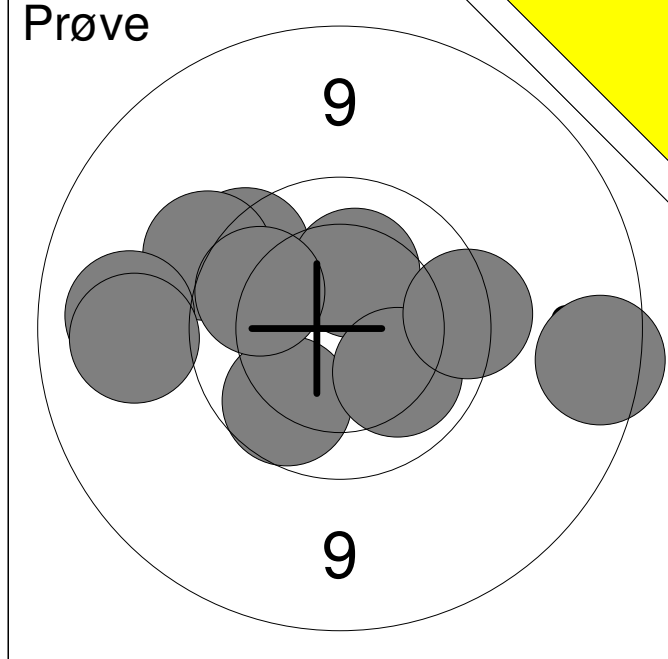
1:	9.6	↖
2:	10.2	↑
3:	10.4	→
4:	*10.6	↘
5:	10.4	←
6:	9.4	↖
7:	*10.5	↑
Serie		68.0
Total		0.0



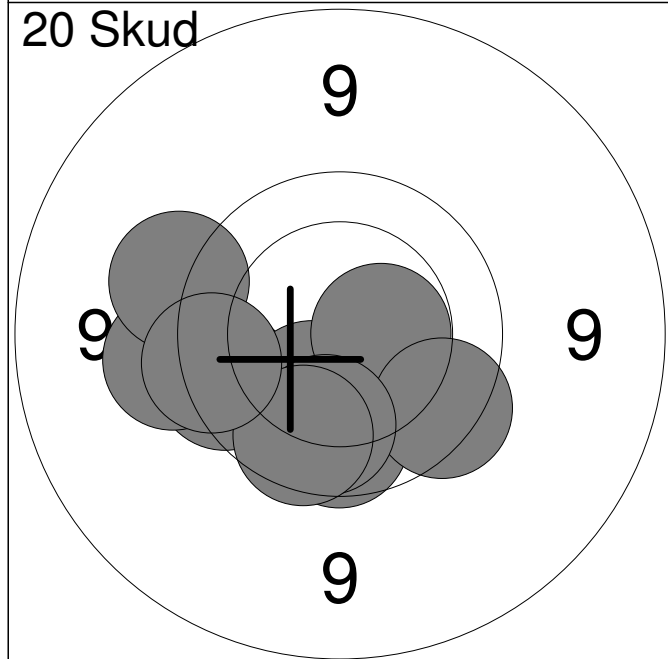
1:	9.9	↖
2:	9.9	↑
3:	*10.7	↘
4:	*10.9	←
5:	10.1	↖
6:	10.4	↗
7:	10.1	↗
8:	*10.8	↖
9:	*10.6	↙
10:	10.3	↑
Serie		98.0
Total		98.0



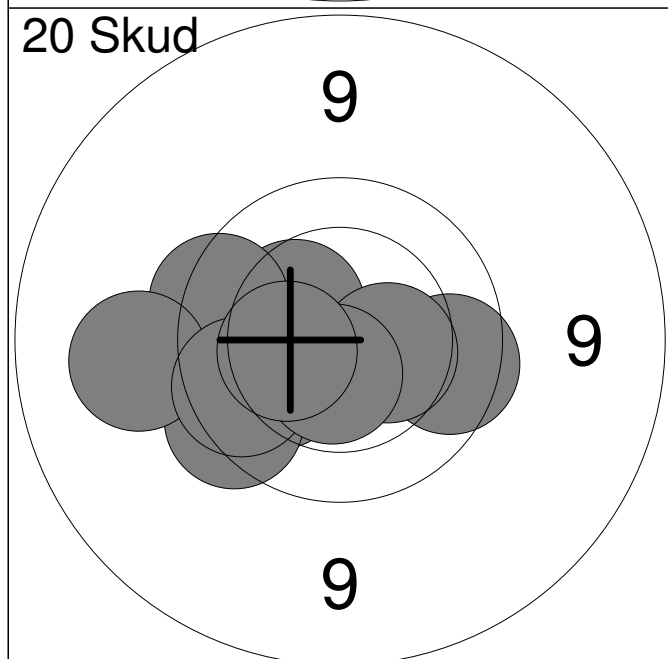
11:	9.7	↖
12:	10.0	↖
13:	10.2	↖
14:	10.4	↑
15:	9.6	↖
16:	*10.5	↗
17:	9.7	↖
18:	10.2	→
19:	*10.8	↑
20:	10.0	↖
Serie		97.0
Total		195.0



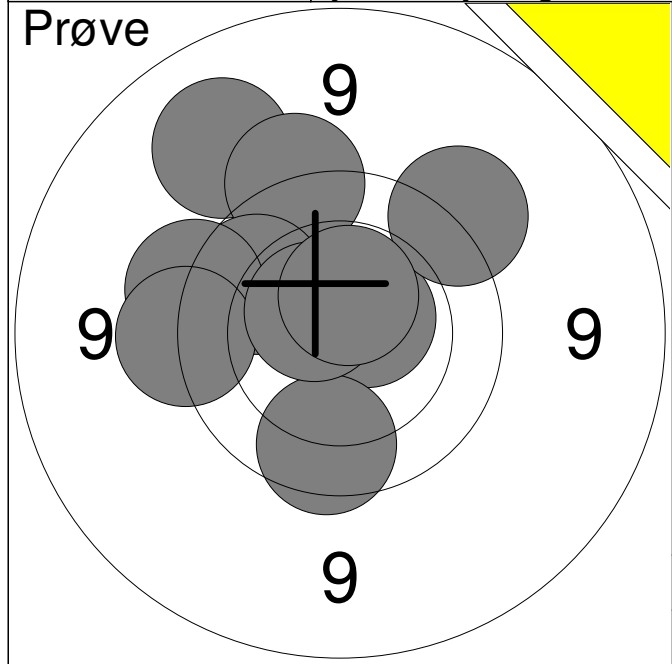
1:	8.8	→
2:	9.7	↗
3:	9.9	↘
4:	9.5	↗
5:	9.1	←
6:	10.3	↑
7:	10.1	↘
8:	9.2	←
9:	9.9	↗
10:	9.7	→
Serie		91.0
Total		0.0



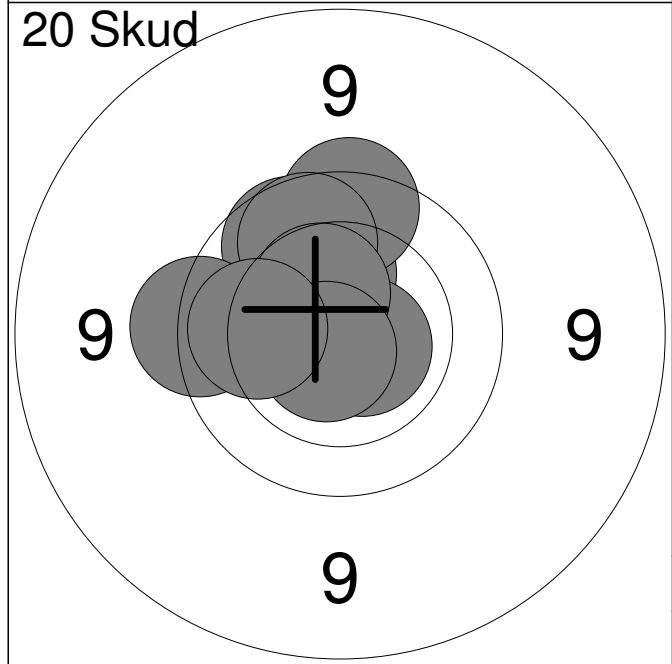
1:	9.8	←
2:	10.3	↘
3:	9.9	↓
4:	*10.5	→
5:	9.5	←
6:	9.7	↘
7:	10.0	↓
8:	9.5	←
9:	9.9	↘
10:	9.7	←
Serie		93.0
Total		93.0



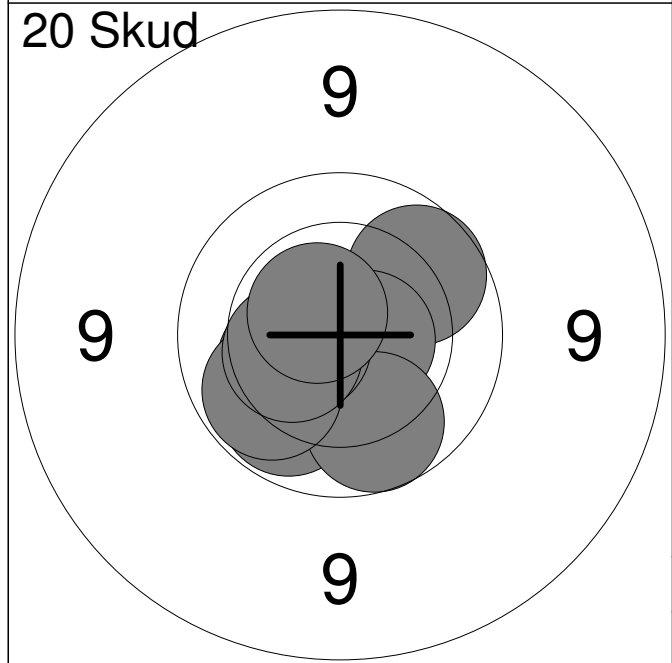
11:	9.8	→
12:	10.1	←
13:	9.7	←
14:	10.4	↗
15:	9.7	←
16:	9.3	←
17:	9.8	←
18:	10.4	→
19:	*10.6	↓
20:	10.4	←
Serie		95.0
Total		188.0



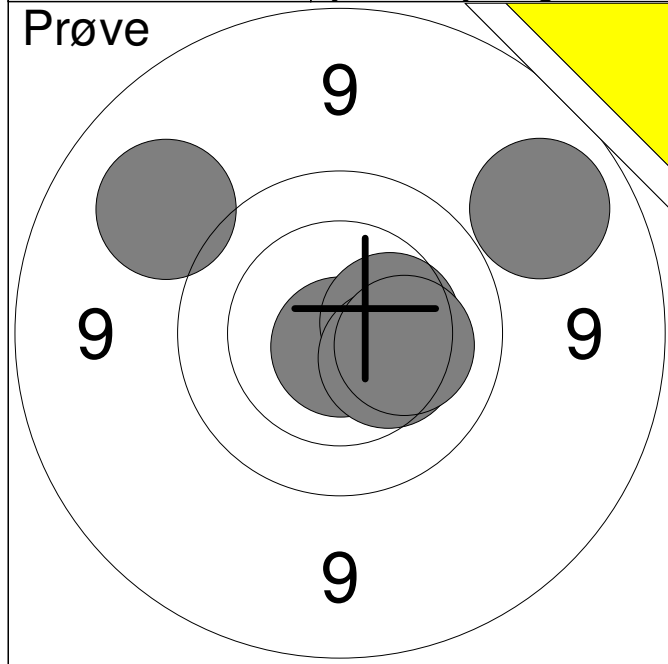
1:	9.2	↗
2:	9.6	↑
3:	*10.6	↘
4:	9.9	↖
5:	9.6	←
6:	9.8	↓
7:	9.6	←
8:	9.5	↗
9:	*10.6	↖
10:	*10.5	↑
Serie		93.0
Total		0.0



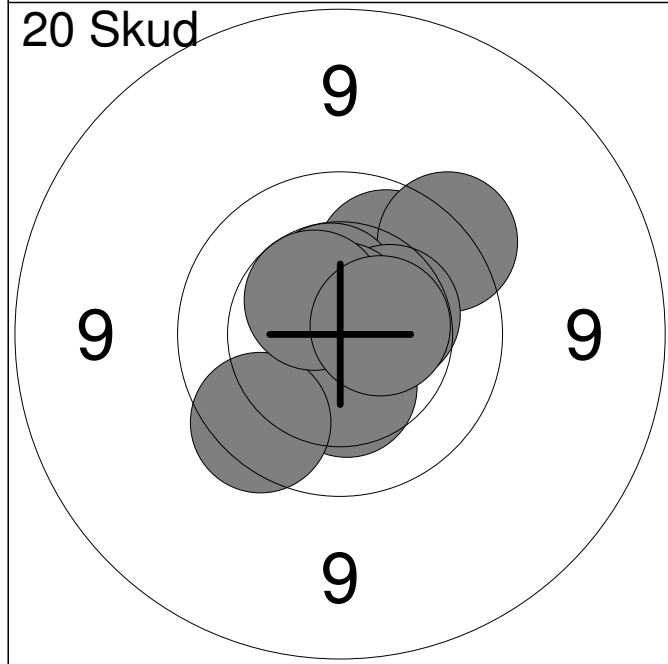
1:	9.9	↖
2:	10.3	↑
3:	9.7	↑
4:	9.9	↖
5:	9.7	←
6:	9.9	↖
7:	*10.7	↘
8:	10.5	↖
9:	*10.7	↘
10:	10.1	←
Serie		95.0
Total		95.0



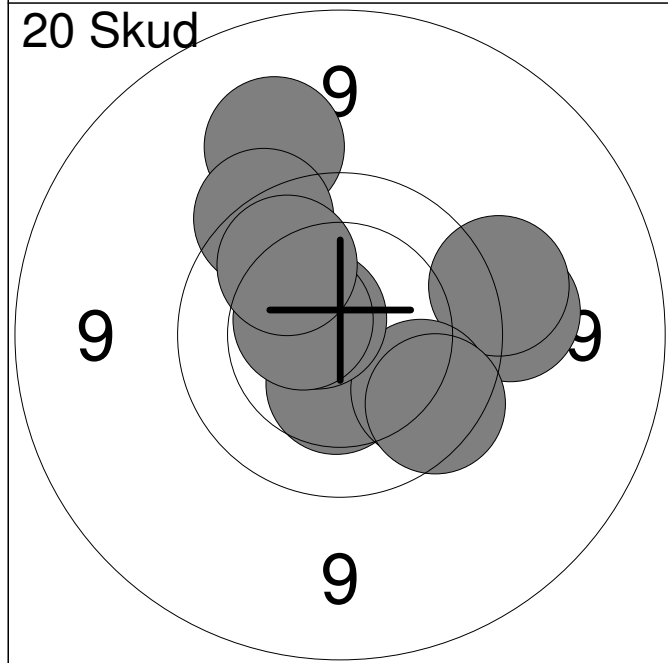
11:	9.9	↗
12:	10.3	↖
13:	*10.7	→
14:	10.0	↘
15:	*10.6	←
16:	9.9	↓
17:	*10.5	←
18:	10.0	↘
19:	10.4	←
20:	*10.6	↖
Serie		98.0
Total		193.0



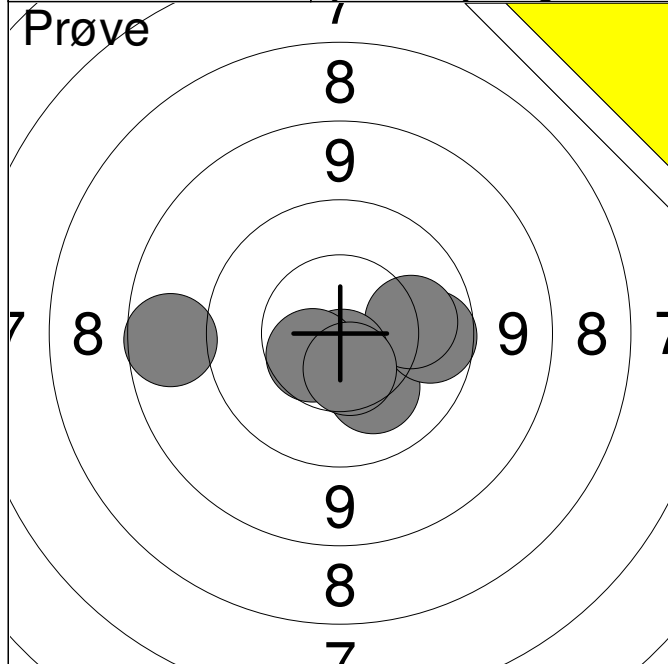
1:	9.2	↗
2:	*10.8	↓
3:	10.4	→
4:	9.1	↗
5:	10.4	↘
6:	10.2	→
Serie		58.0
Total		0.0



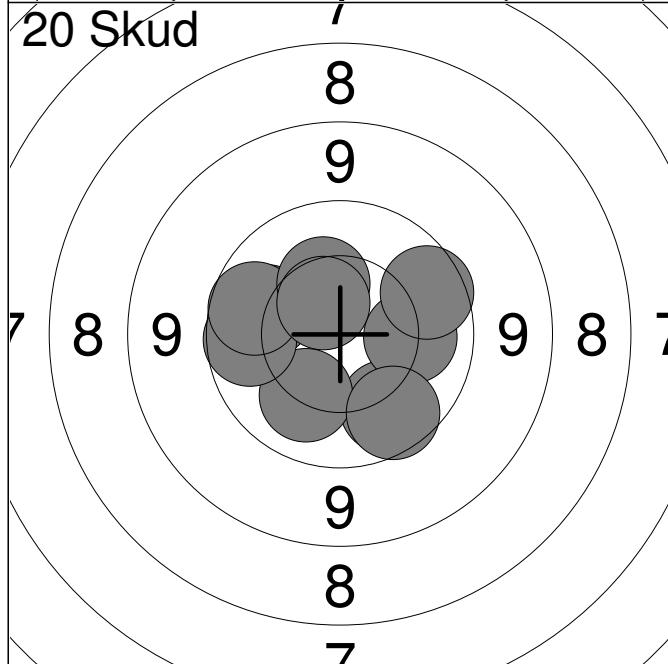
1:	10.0	↗
2:	*10.6	↑
3:	9.6	↗
4:	*10.5	↑
5:	10.4	→
6:	*10.7	↑
7:	10.4	↓
8:	9.8	↙
9:	10.5	↗
10:	*10.5	→
Serie		98.0
Total		98.0



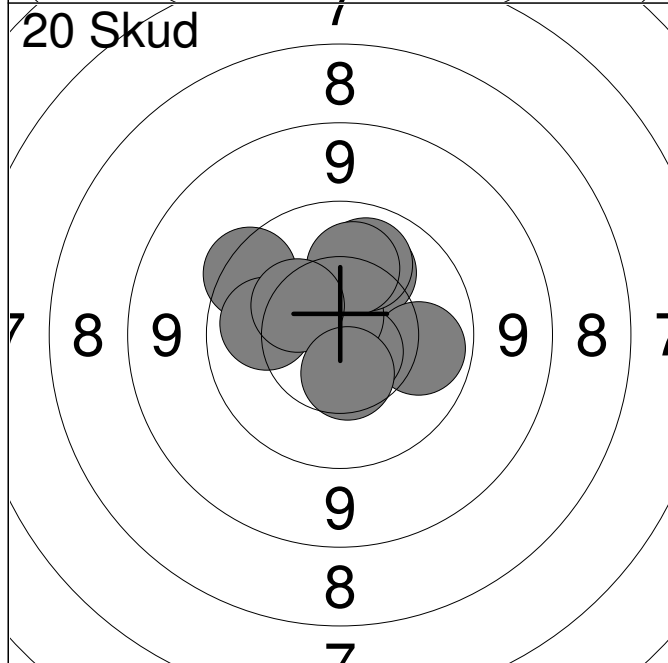
11:	9.5	→
12:	10.4	↓
13:	9.5	→
14:	9.9	↘
15:	9.8	↘
16:	*10.6	↗
17:	*10.5	↗
18:	9.3	↗
19:	9.7	↗
20:	10.0	↗
Serie		94.0
Total		192.0



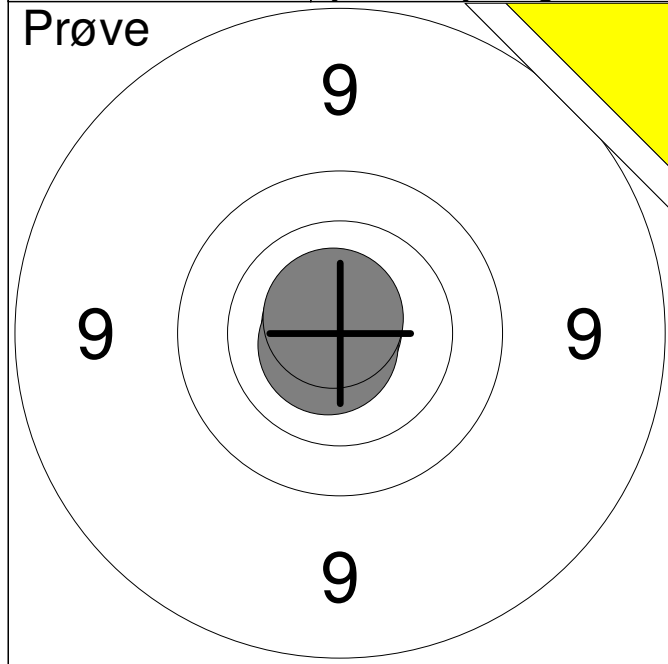
1:	10.2	↘
2:	9.9	→
3:	10.1	→
4:	8.9	←
5:	*10.7	↘
6:	10.5	↙
7:	10.5	↘
Serie		67.0
Total		0.0



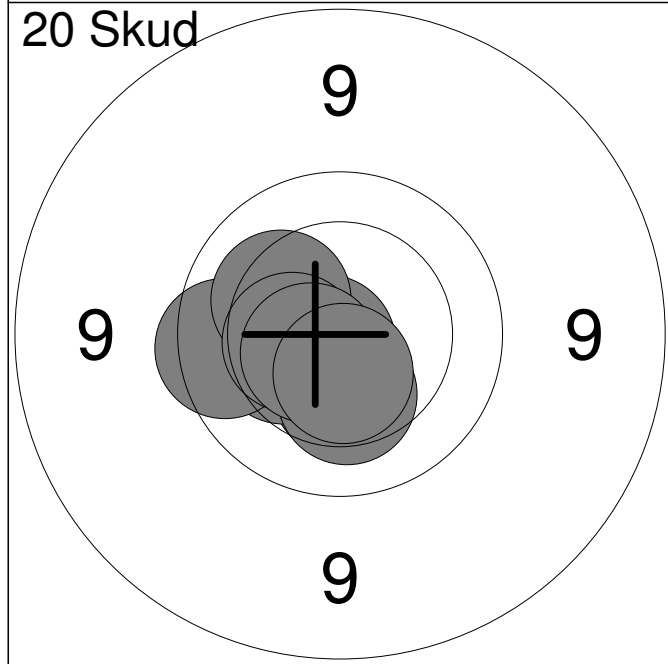
1:	10.1	↖
2:	10.0	↘
3:	10.1	→
4:	10.1	↘
5:	9.8	↘
6:	9.8	↗
7:	9.9	←
8:	9.9	←
9:	10.3	↗
10:	10.5	↗
Serie		96.0
Total		96.0



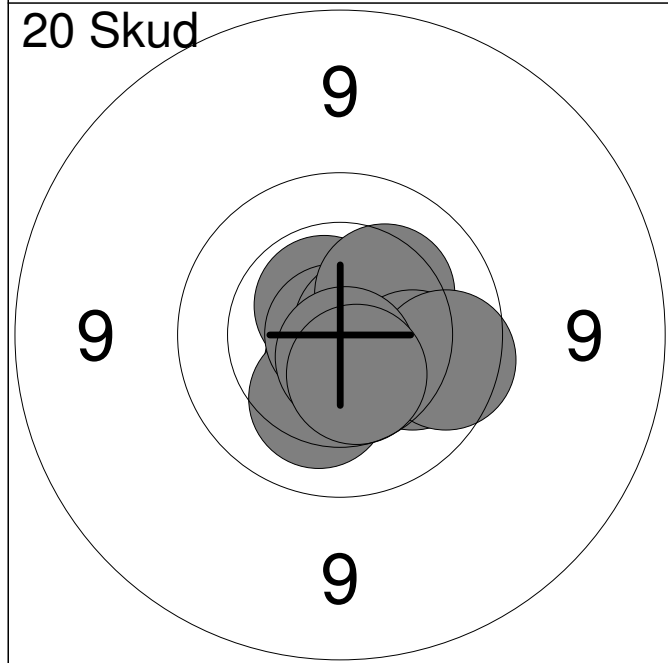
11:	10.2	↗
12:	9.7	↗
13:	10.0	→
14:	10.1	←
15:	*10.7	↘
16:	*10.7	↗
17:	10.1	↗
18:	10.2	↗
19:	10.4	↗
20:	10.5	↘
Serie		99.0
Total		195.0



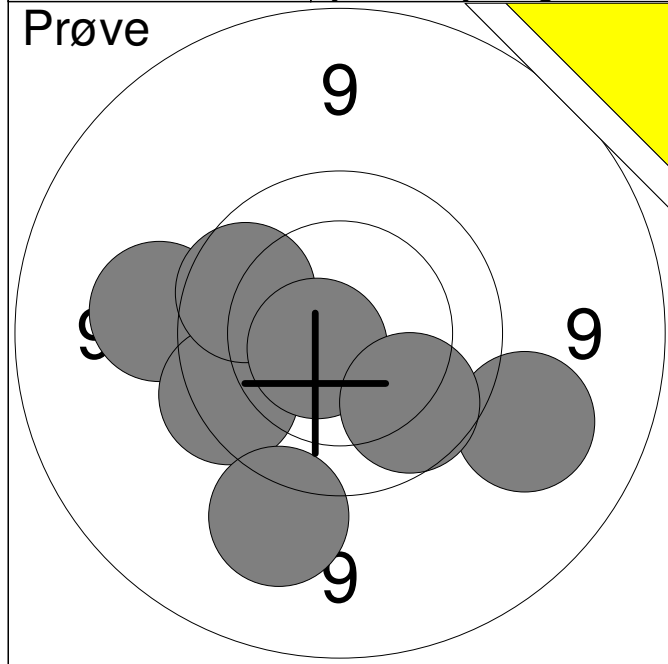
	1:	*10.8	↗
	2:	*10.8	↖
	3:	*10.8	↗
Serie			30.0
Total			0.0



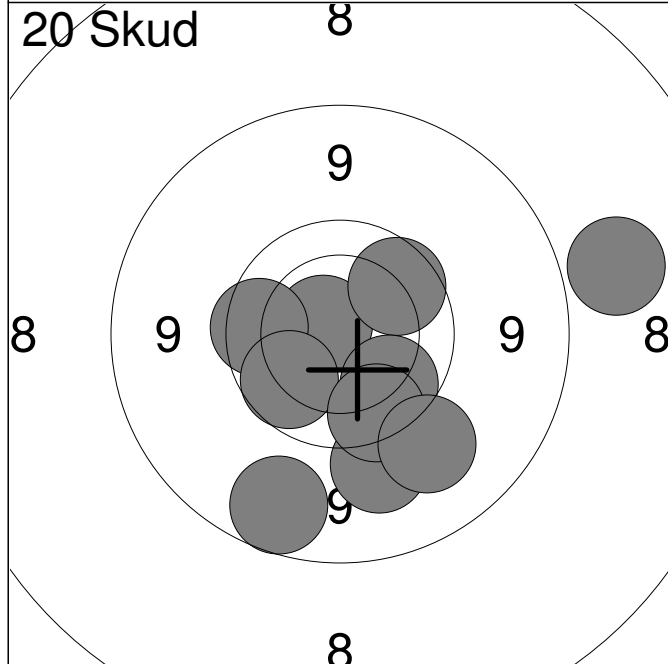
	1:	10.4	↓
	2:	10.3	←
	3:	10.3	↖
	4:	*10.8	↖
	5:	10.3	↓
	6:	9.8	←
	7:	10.2	↗
	8:	10.4	←
	9:	*10.6	↖
	10:	*10.5	↓
Serie			99.0
Total			99.0



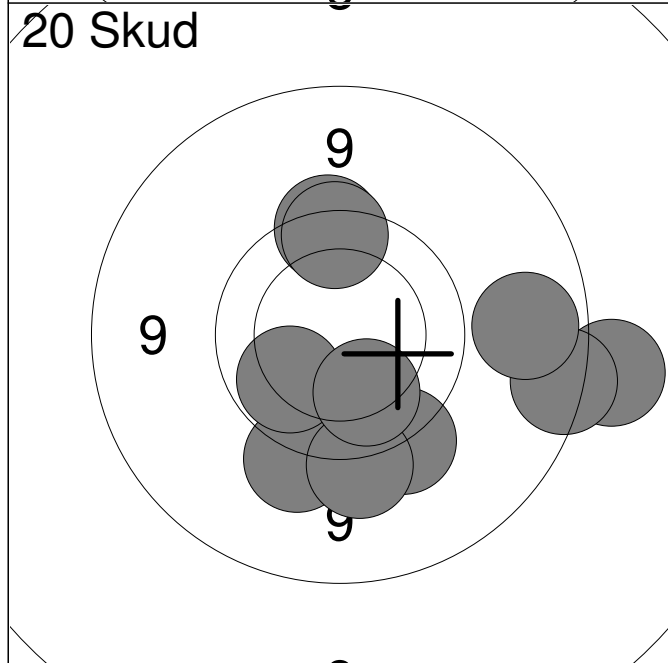
	11:	*10.6	↓
	12:	10.2	↖
	13:	*10.6	↗
	14:	*10.9	←
	15:	*10.7	→
	16:	10.3	↗
	17:	10.1	→
	18:	9.9	→
	19:	*10.7	↓
	20:	10.5	↓
Serie			99.0
Total			198.0



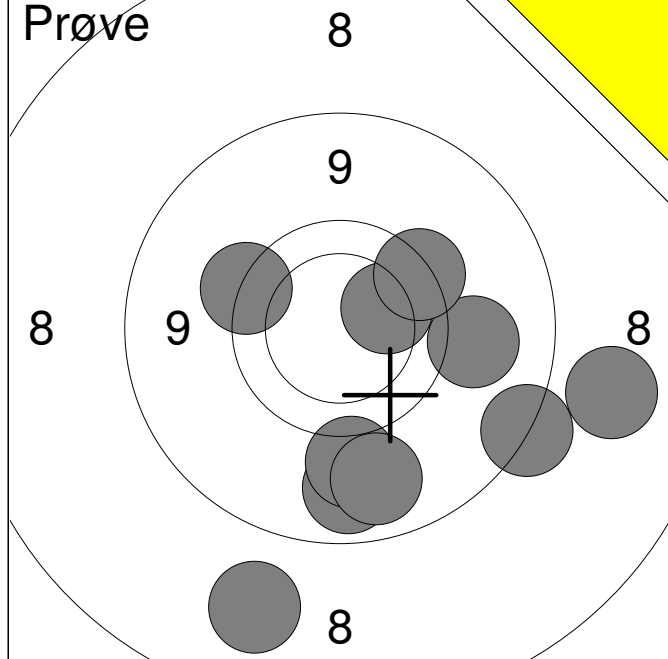
1:	9.4	←
2:	9.7	↙
3:	9.3	↓
4:	9.3	↘
5:	9.9	↗
6:	*10.7	↙
7:	9.9	↓
Serie		64.0
Total		0.0



1:	9.3	↓
2:	8.9	↓
3:	*10.7	↗
4:	9.9	↗
5:	9.8	←
6:	8.4	→
7:	9.9	↓
8:	9.9	↙
9:	9.8	↓
10:	9.3	↓
Serie		89.0
Total		89.0

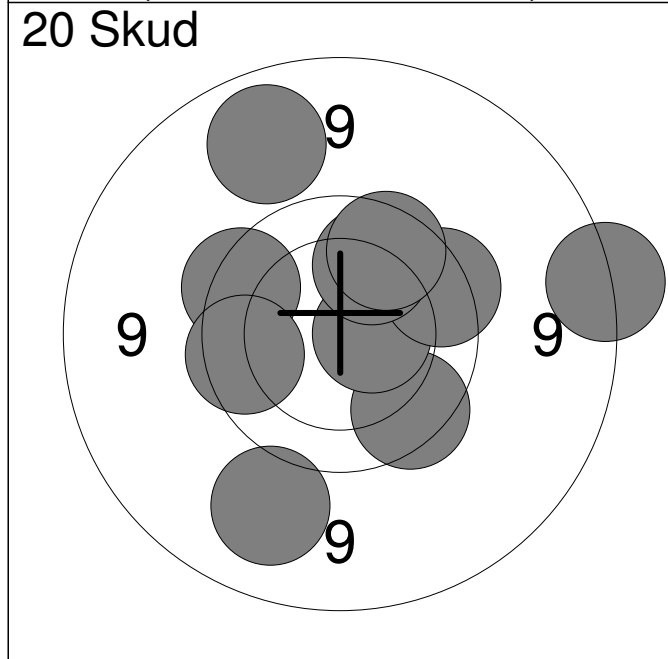


11:	8.5	→
12:	9.5	↓
13:	10.0	↙
14:	9.5	↓
15:	9.5	↓
16:	8.8	→
17:	9.7	↑
18:	9.7	↑
19:	9.0	→
20:	10.1	↓
Serie		90.0
Total		179.0



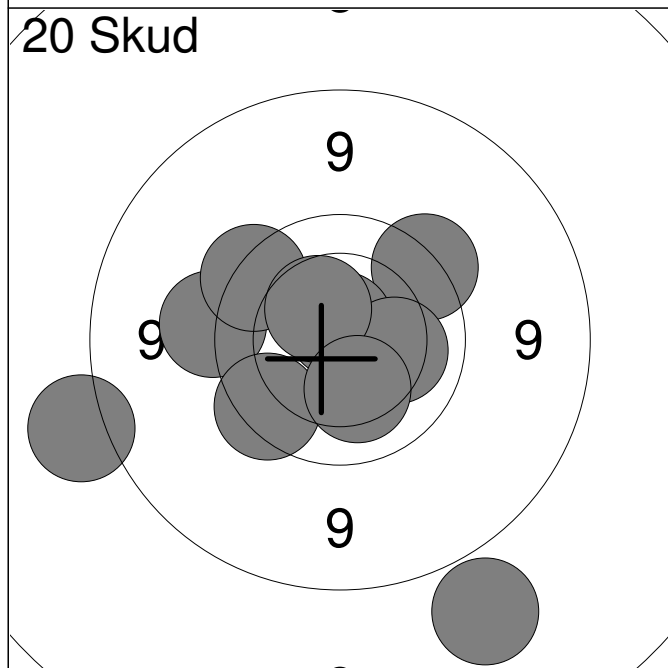
1:	10.1	→
2:	9.6	↖
3:	8.3	→
4:	9.3	→
5:	9.0	↓
6:	9.3	↓
7:	8.7	↘
8:	9.6	↗
9:	8.2	↓
10:	9.1	↓

Serie		88.0
Total		0.0



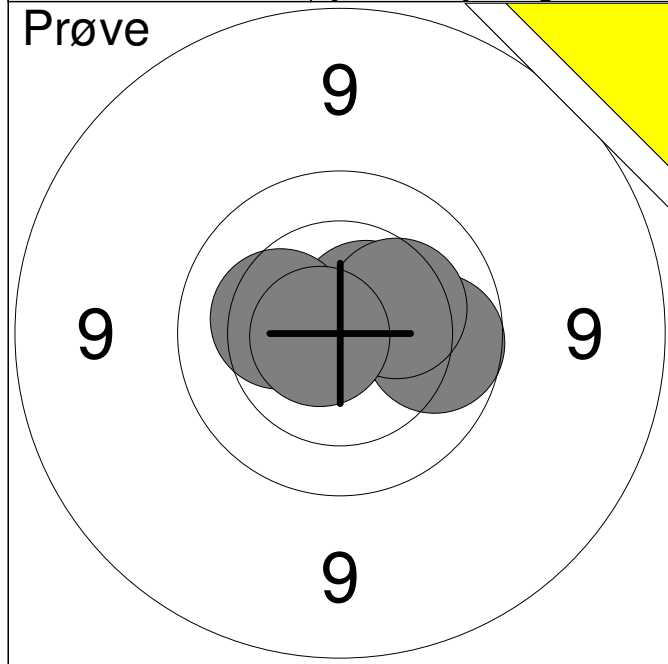
1:	8.7	→
2:	9.8	↓
3:	9.7	↖
4:	*10.5	→
5:	9.7	→
6:	10.0	↗
7:	9.2	↓
8:	9.8	←
9:	9.8	↗
10:	9.1	↗

Serie		91.0
Total		91.0

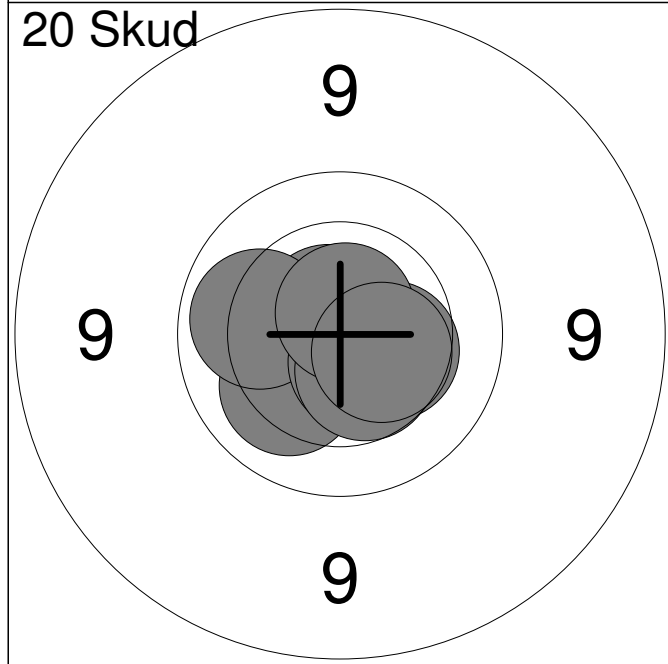


11:	9.5	←
12:	9.6	↗
13:	*10.7	↑
14:	9.7	↗
15:	8.4	↓
16:	8.6	←
17:	10.2	→
18:	9.7	↖
19:	10.4	↗
20:	10.2	↓

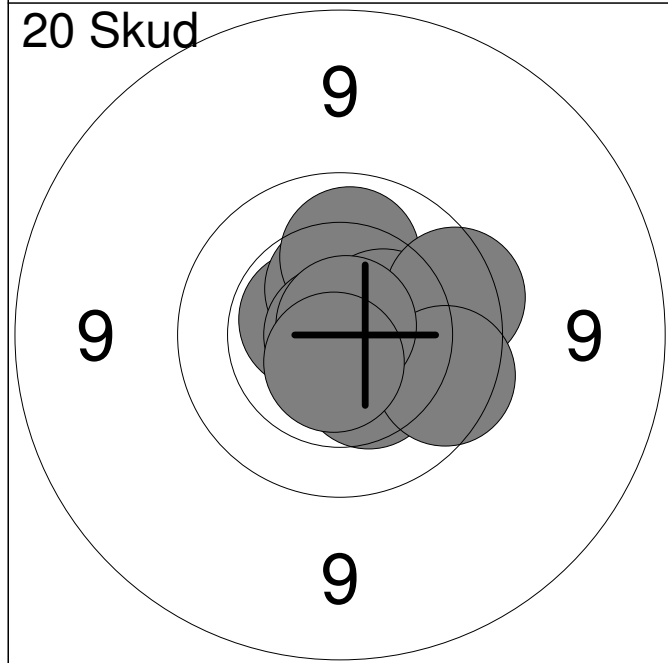
Serie		92.0
Total		183.0



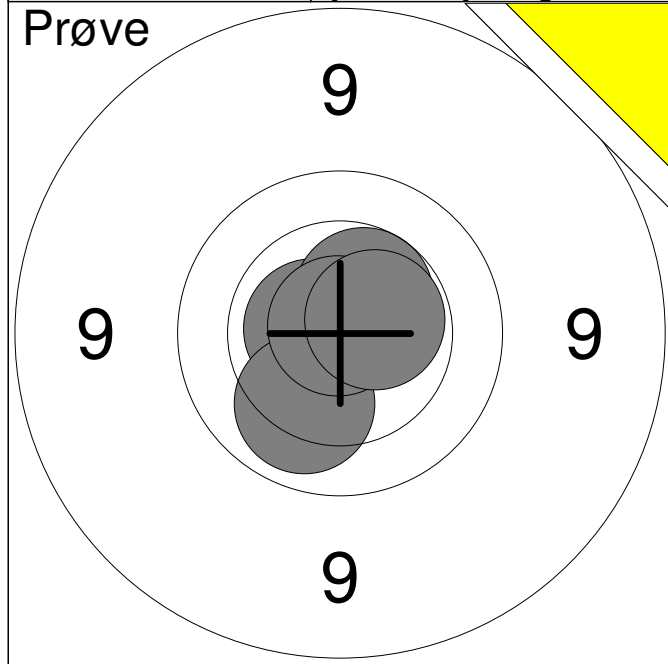
1:	*10.6	↗
2:	10.3	↖
3:	9.9	→
4:	10.3	↗
5:	*10.7	↖
Serie		49.0
Total		0.0



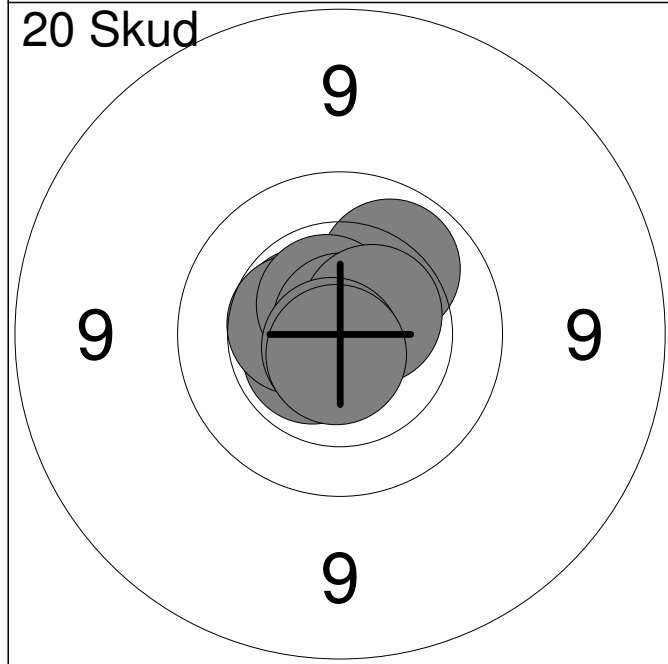
1:	10.4	↖
2:	10.3	↙
3:	10.4	→
4:	*10.7	↗
5:	10.2	↙
6:	10.1	↖
7:	*10.6	↘
8:	10.5	↘
9:	*10.7	↗
10:	10.5	↘
Serie		100.0
Total		100.0



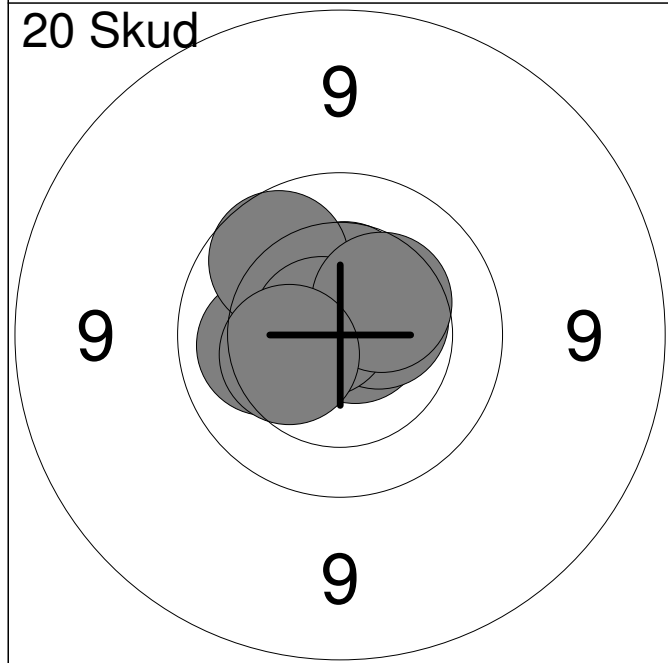
11:	*10.6	↖
12:	10.5	↑
13:	10.1	↑
14:	10.5	→
15:	10.4	↘
16:	9.8	→
17:	*10.9	↖
18:	9.8	→
19:	*10.8	↗
20:	*10.6	↘
Serie		98.0
Total		198.0



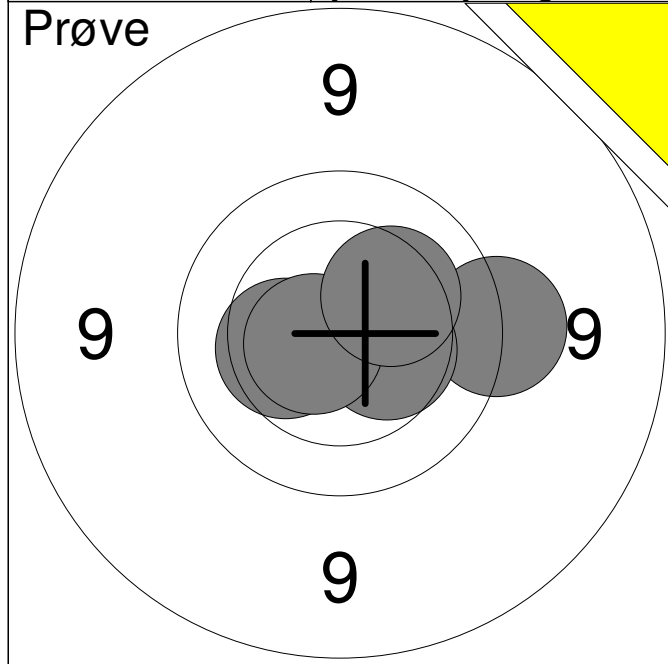
1:	*10.7	←
2:	10.1	↙
3:	10.5	↗
4:	*10.9	↑
5:	*10.5	→
Serie		50.0
Total		0.0



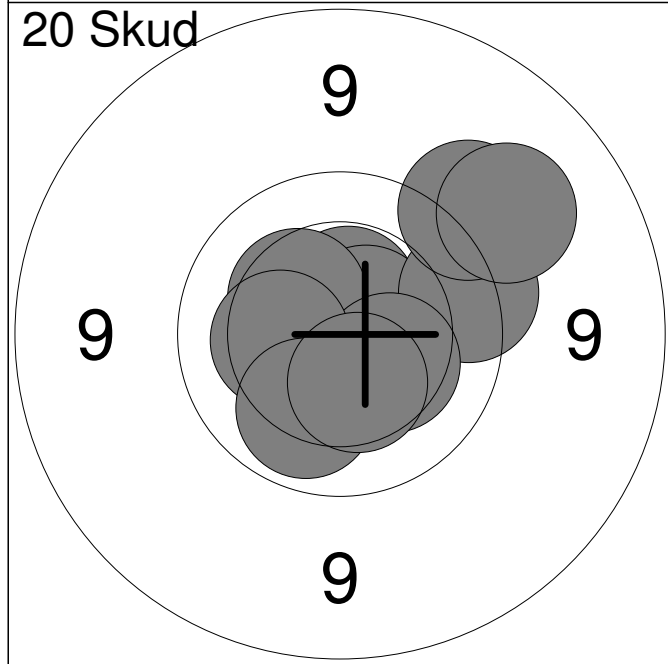
1:	10.1	↗
2:	*10.5	←
3:	*10.6	↙
4:	10.5	←
5:	*10.9	↙
6:	*10.6	↑
7:	*10.8	↑
8:	*10.6	↗
9:	*10.8	↙
10:	*10.7	↙
Serie		100.0
Total		100.0



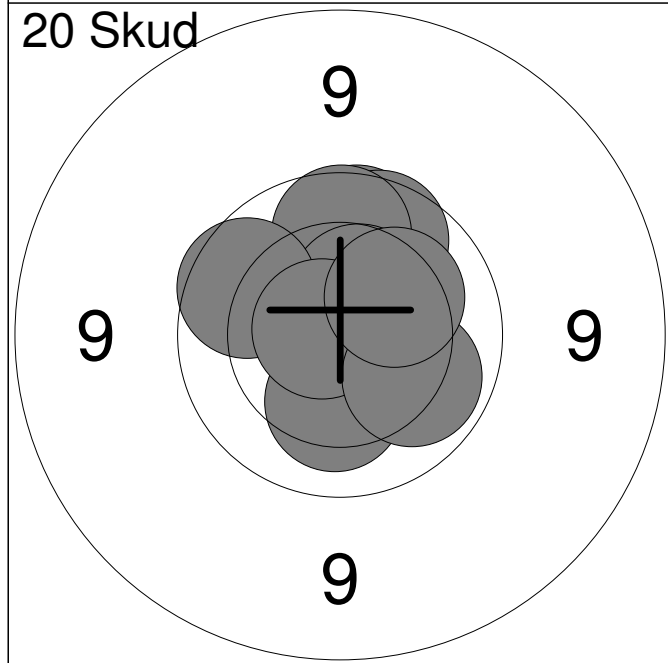
11:	10.4	↖
12:	10.5	↑
13:	10.1	←
14:	*10.7	↗
15:	*10.8	→
16:	9.9	↖
17:	*10.5	↗
18:	*10.7	←
19:	10.4	↗
20:	10.4	←
Serie		99.0
Total		199.0



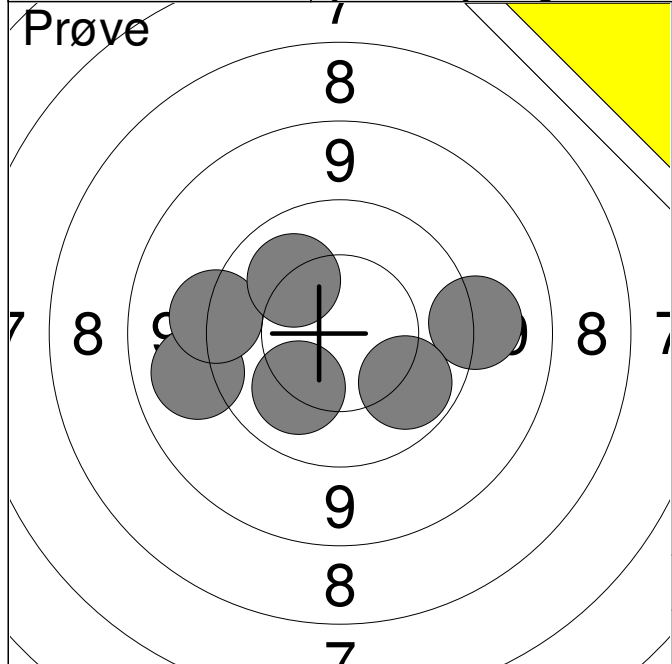
1:	9.6	→
2:	10.3	←
3:	10.4	→
4:	*10.6	←
5:	10.3	↗
Serie		49.0
Total		0.0



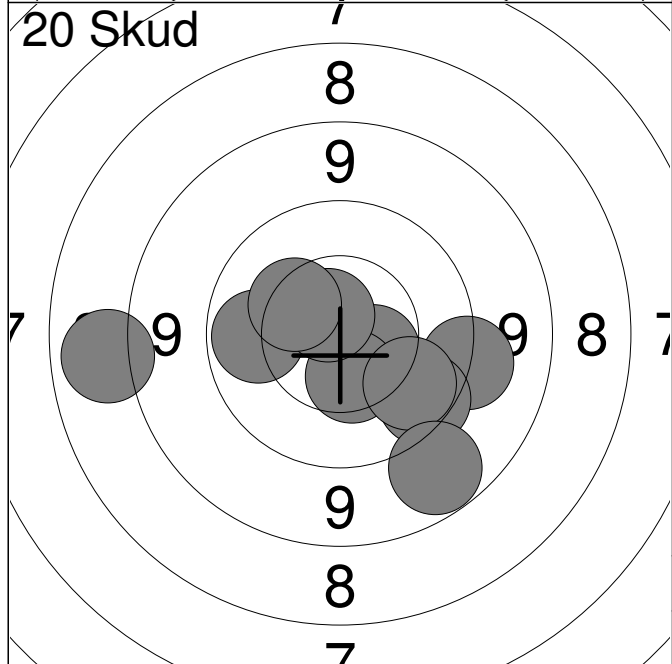
1:	*10.5	↑
2:	*10.6	↗
3:	10.4	↖
4:	9.7	→
5:	9.4	↗
6:	9.3	↗
7:	10.3	→
8:	10.3	←
9:	10.1	↓
10:	10.4	↓
Serie		97.0
Total		97.0



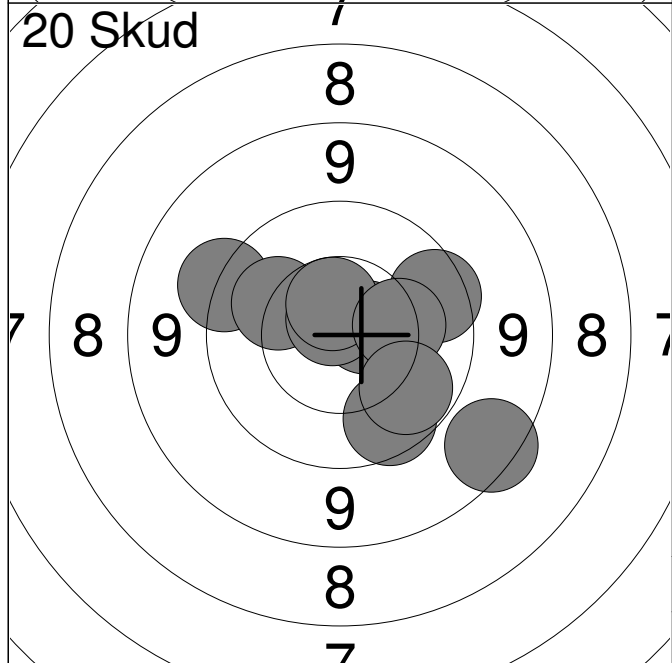
11:	*10.8	↗
12:	10.2	↓
13:	9.9	↑
14:	9.9	↑
15:	9.9	↑
16:	10.5	↗
17:	9.9	↖
18:	*10.7	←
19:	10.1	→
20:	10.2	↗
Serie		96.0
Total		193.0



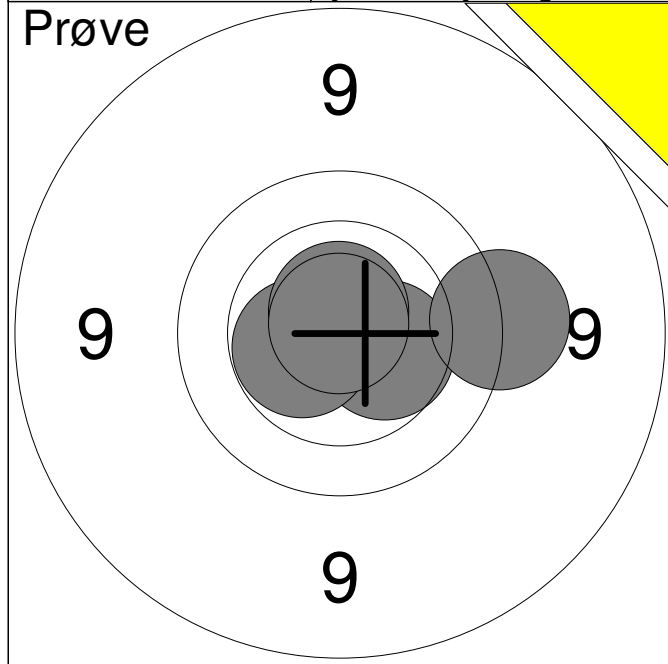
1:	9.2	←
2:	9.5	←
3:	9.3	→
4:	10.0	↓
5:	10.1	↗
6:	10.2	↘
Serie		57.0
Total		0.0



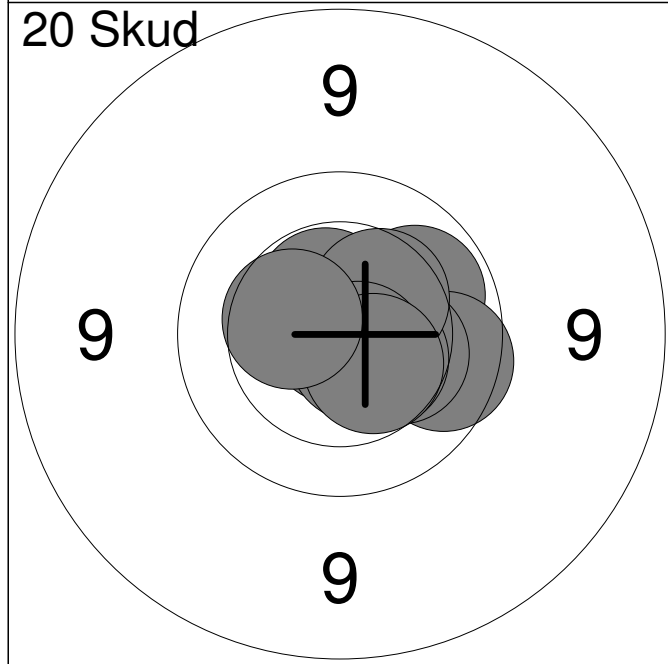
1:	9.4	→
2:	9.7	↓
3:	10.5	↓
4:	8.1	←
5:	10.4	↓
6:	10.0	←
7:	*10.7	↗
8:	10.0	↓
9:	10.3	↗
10:	9.0	↓
Serie		95.0
Total		95.0



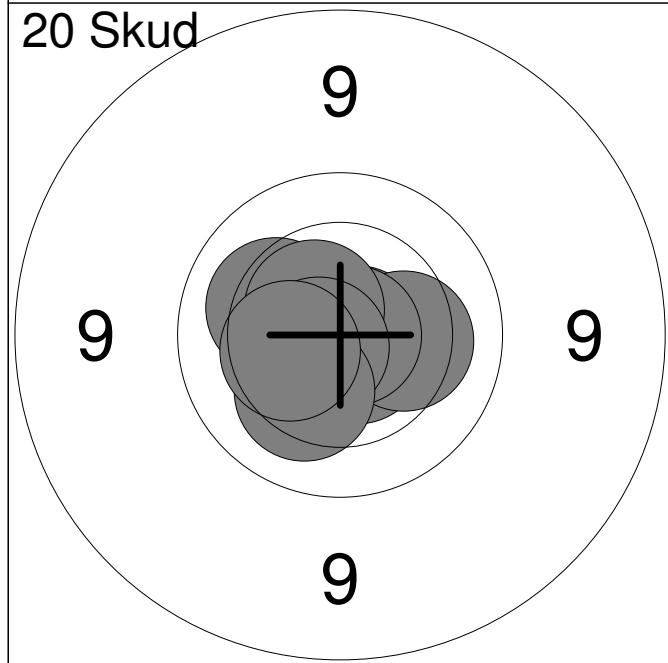
11:	9.4	↖
12:	9.8	→
13:	*10.6	→
14:	10.1	↗
15:	*10.7	↗
16:	9.8	↓
17:	10.6	↗
18:	10.3	→
19:	8.7	↓
20:	10.0	↓
Serie		95.0
Total		190.0



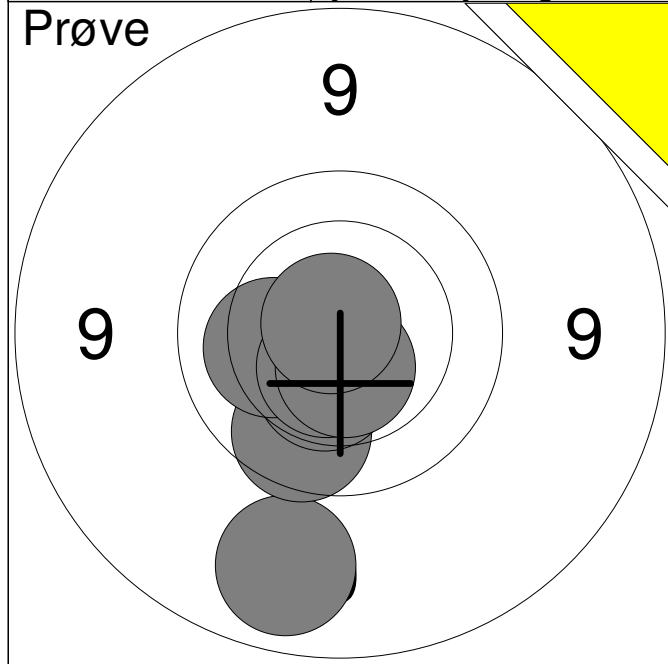
1:	10.4	→
2:	*10.5	←
3:	9.5	→
4:	*10.7	↑
5:	*10.8	↑
Serie		49.0
Total		0.0



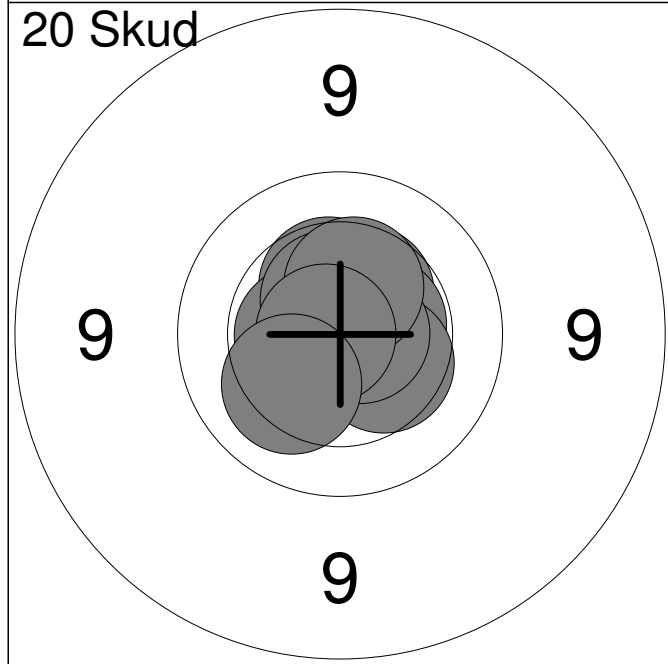
1:	*10.5	↑
2:	10.0	→
3:	*10.9	←
4:	9.9	→
5:	10.3	→
6:	10.5	↘
7:	10.4	↗
8:	*10.7	↘
9:	10.5	↘
10:	10.4	←
Serie		99.0
Total		99.0



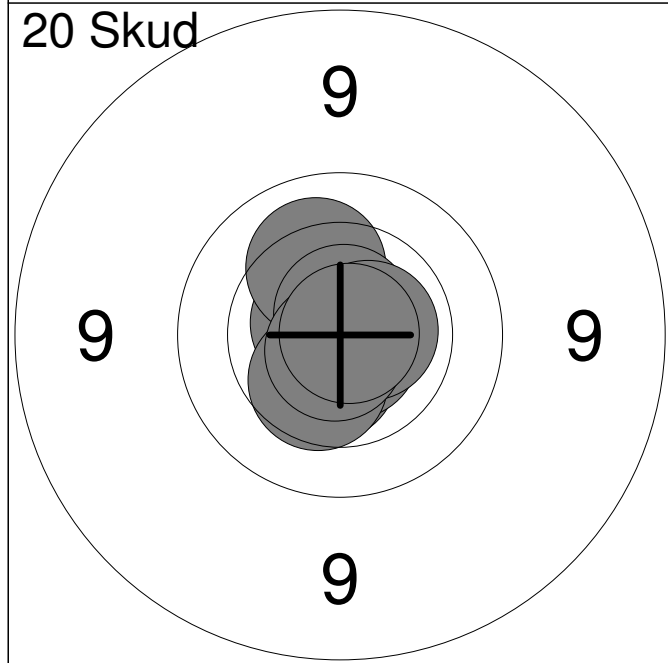
11:	*10.8	→
12:	*10.7	↘
13:	10.3	→
14:	*10.8	→
15:	*10.6	←
16:	10.2	↗
17:	*10.6	↗
18:	*10.7	←
19:	10.2	↘
20:	10.4	←
Serie		100.0
Total		199.0



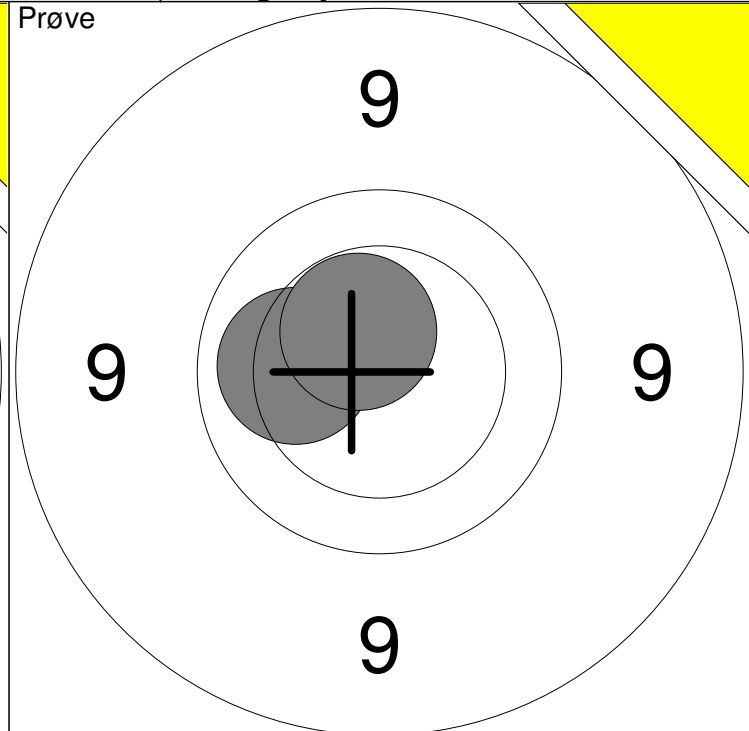
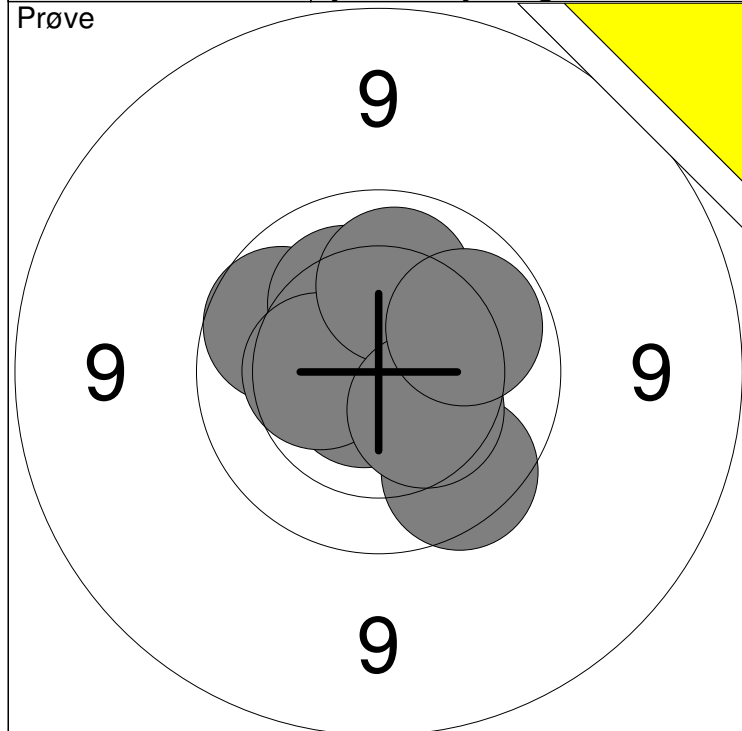
1:	9.1	↓
2:	9.9	↓
3:	*10.7	↓
4:	10.4	↓
5:	10.2	←
6:	*10.6	↓
7:	*10.6	↓
8:	*10.8	↗
Serie		78.0
Total		0.0



1:	10.4	↑
2:	*10.6	←
3:	*10.6	↑
4:	10.4	↗
5:	*10.5	→
6:	10.4	↘
7:	*10.7	→
8:	10.4	↑
9:	*10.8	←
10:	10.2	↙
Serie		100.0
Total		100.0

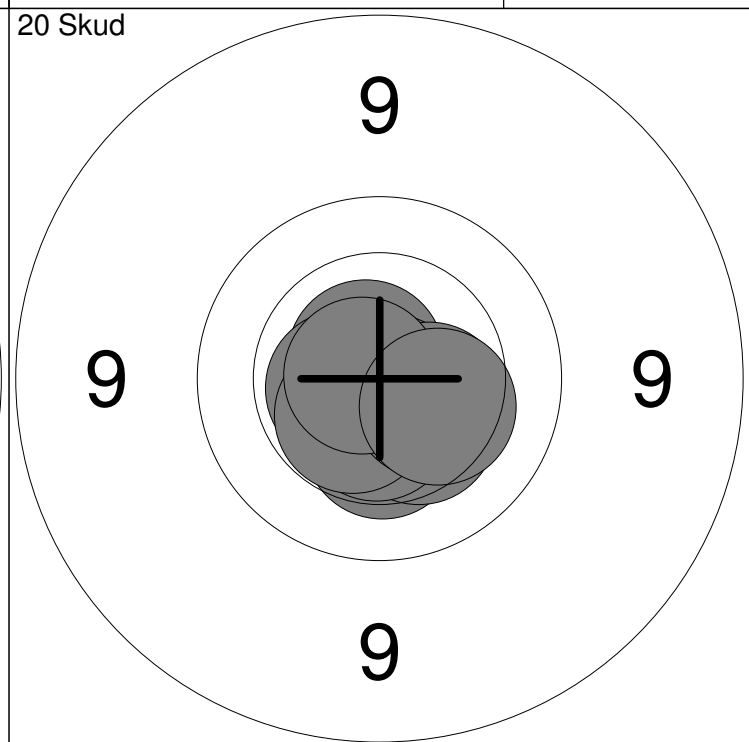
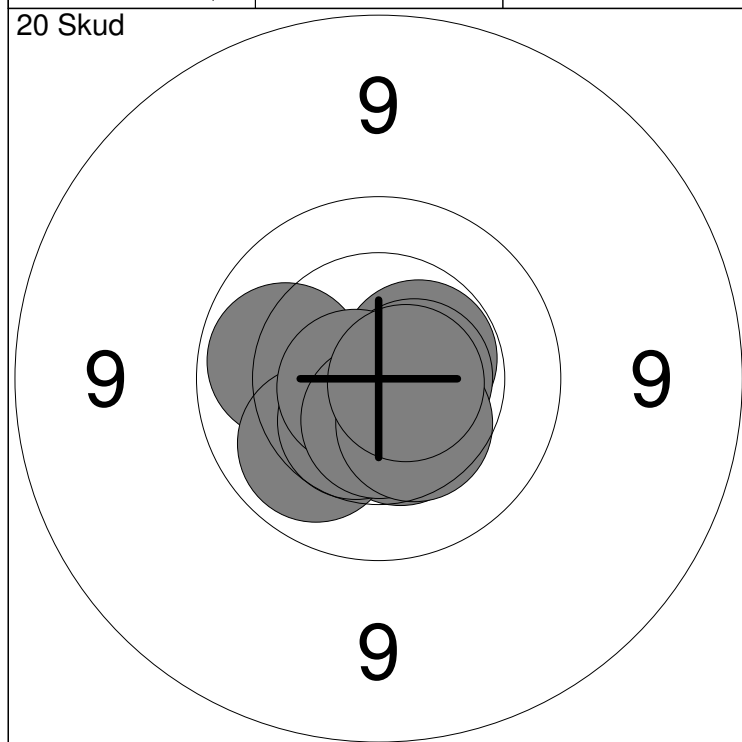


11:	*10.7	↓
12:	*10.5	↓
13:	*10.7	↖
14:	*10.8	↘
15:	10.4	↓
16:	10.2	↑
17:	*10.7	↑
18:	*10.6	→
19:	*10.8	↓
20:	*10.9	→
Serie		100.0
Total		200.0



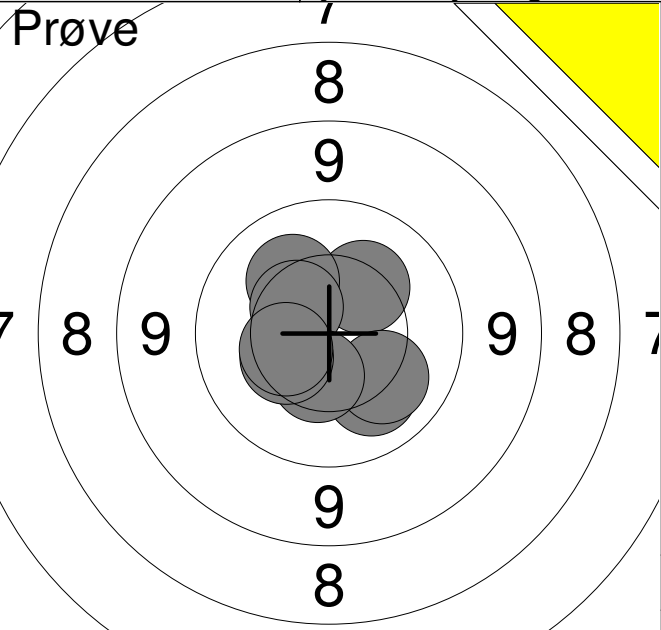
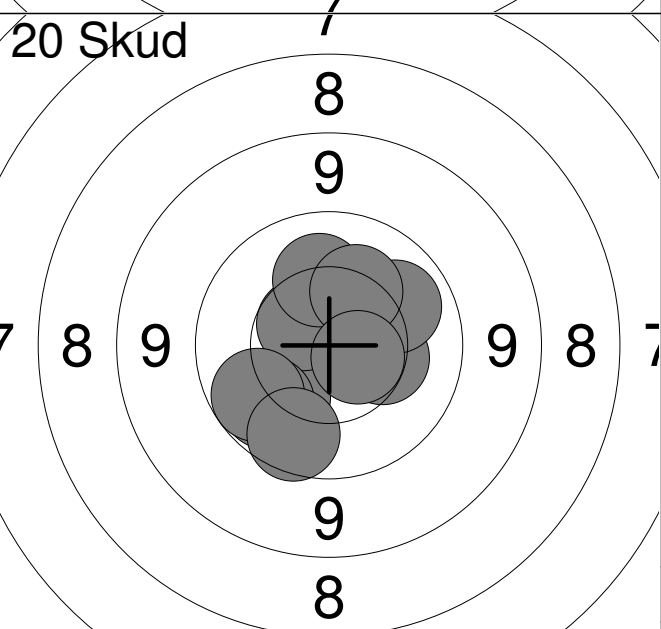
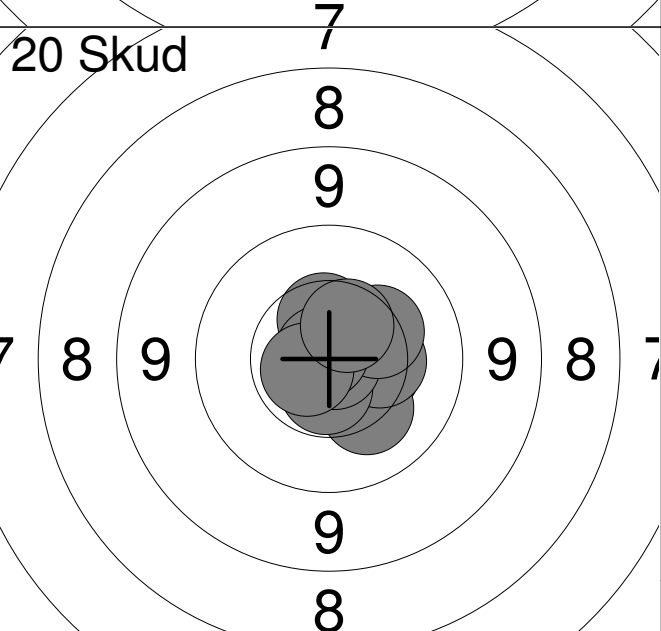
1: *10.6↑	6: 10.4←	Serie	98.0
2: 9.9↖	7: 10.1↑		
3: *10.7↙	8: 9.8↘	Total	0.0
4: 10.2↗	9: 10.4↘		
5: *10.8↑	10: 10.0↗		

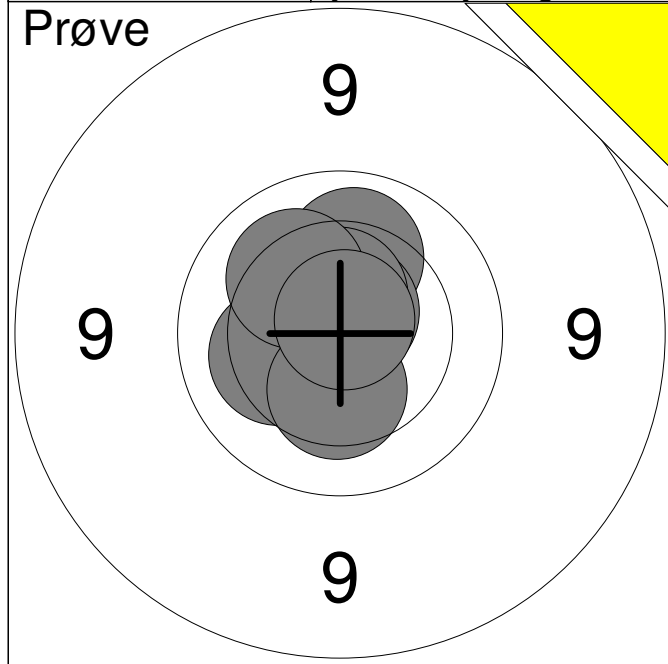
11: 10.1←	Serie	20.0
12: *10.5↖		
Total		0.0



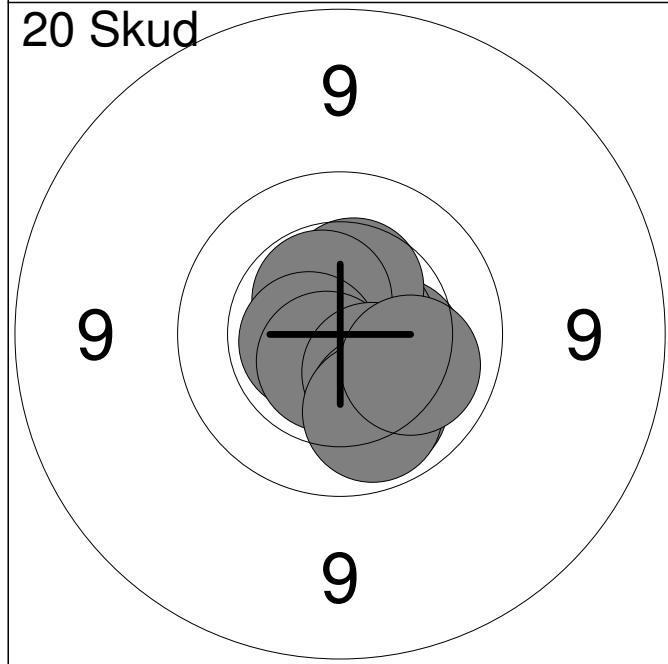
1: 10.0←	6: 10.5↙	Serie	100.0
2: 10.4↘	7: *10.7↙		
3: 10.1↙	8: *10.5↘	Total	100.0
4: *10.5↗	9: 10.4↘		
5: *10.6→	10: *10.7→		

11: *10.7↖	16: *10.5↘	Serie	100.0
12: *10.8↘	17: *10.5↙		
13: 10.4↘	18: 10.4→	Total	200.0
14: *10.6←	19: *10.8←		
15: 10.4↘	20: 10.3→		

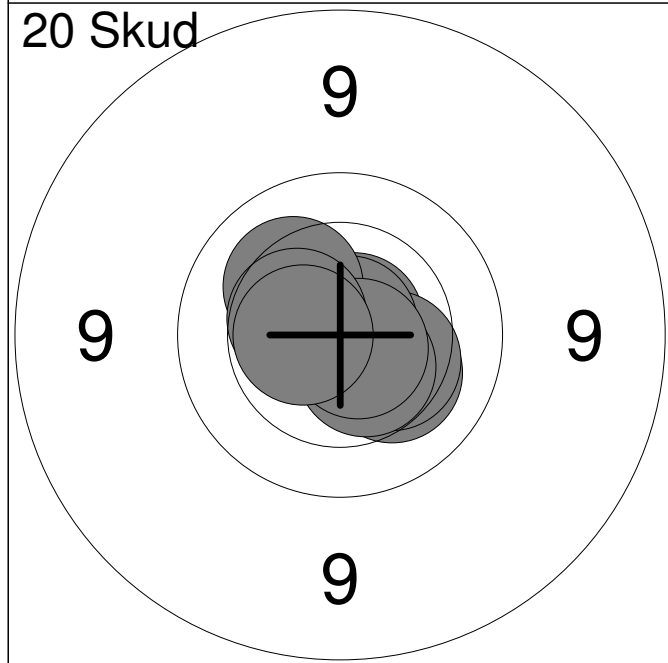
	Jyllandsskydning		Aalborg Skyttekreds
Prøve 	7		1: 10.3 ↗
	8		2: 10.2 ↗
	9		3: 10.5 ↗
	9		4: 10.1 ↘
	8		5: 10.2 ↘
	7		6: 10.4 ↙
	7		7: 10.4 ↓
	8		8: 10.4 ↙
	9		9: 10.4 ↙
	8		
Serie			90.0
Total			0.0
20 Skud 	7		1: 10.1 ↙
	8		2: 10.6 ↗
	9		3: 10.0 ↙
	9		4: 10.3 →
	8		5: 10.2 ↑
	7		6: 9.9 ↙
	7		7: 9.8 ↓
	8		8: 10.1 ↗
	9		9: 10.3 ↗
	8		10: *10.6 →
	Serie		
Total			98.0
20 Skud 	7		11: 10.4 →
	8		12: 10.2 ↓
	9		13: 10.4 →
	9		14: *10.6 ↓
	8		15: *10.9 ↘
	7		16: 10.3 ↗
	7		17: 10.5 ↑
	8		18: *10.8 ↗
	9		19: *10.7 ↙
	8		20: 10.5 ↗
	Serie		
Total			198.0



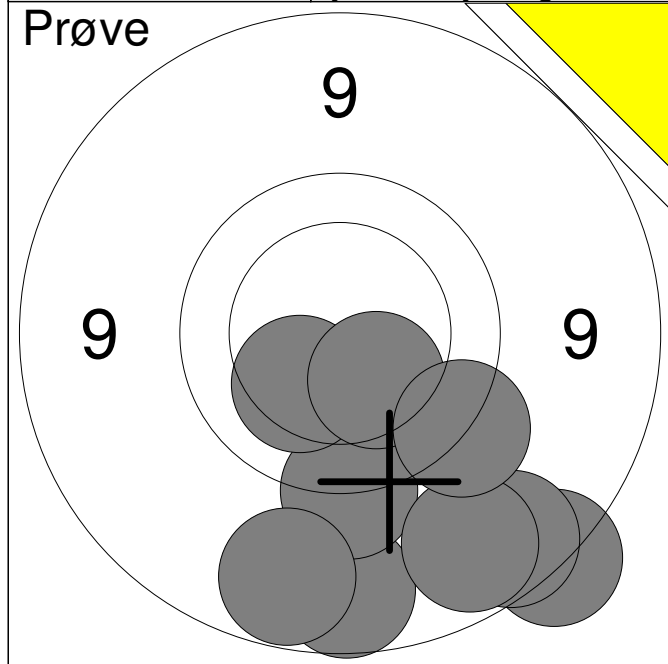
1:	10.1	↑
2:	*10.7	↑
3:	*10.6	↑
4:	10.3	←
5:	10.3	↓
6:	10.2	↖
7:	*10.8	↑
Serie		70.0
Total		0.0



1:	10.4	→
2:	*10.7	→
3:	10.4	↑
4:	*10.5	↑
5:	*10.6	←
6:	*10.6	↓
7:	10.4	↓
8:	10.1	↓
9:	10.0	↓
10:	10.1	→
Serie		100.0
Total		100.0

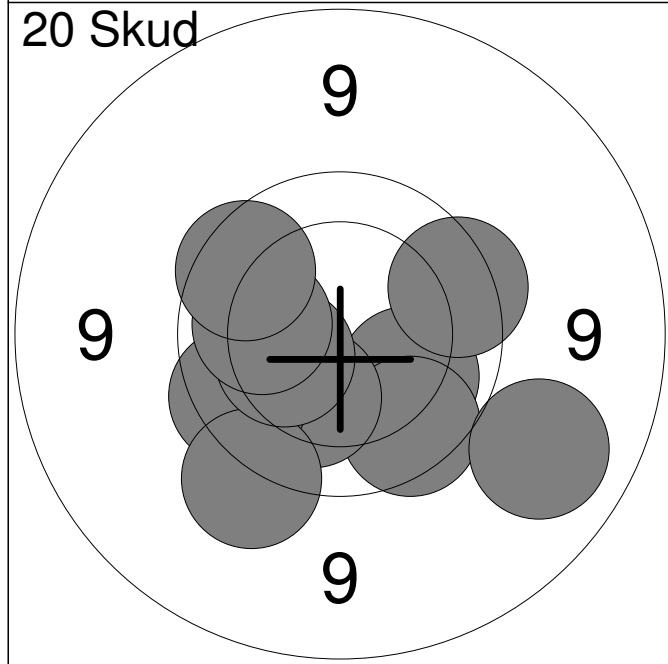


11:	10.3	↓
12:	*10.8	↗
13:	10.3	↓
14:	*10.5	↓
15:	*10.8	↗
16:	*10.6	↖
17:	10.2	↗
18:	*10.7	↓
19:	10.5	↖
20:	*10.6	←
Serie		100.0
Total		200.0



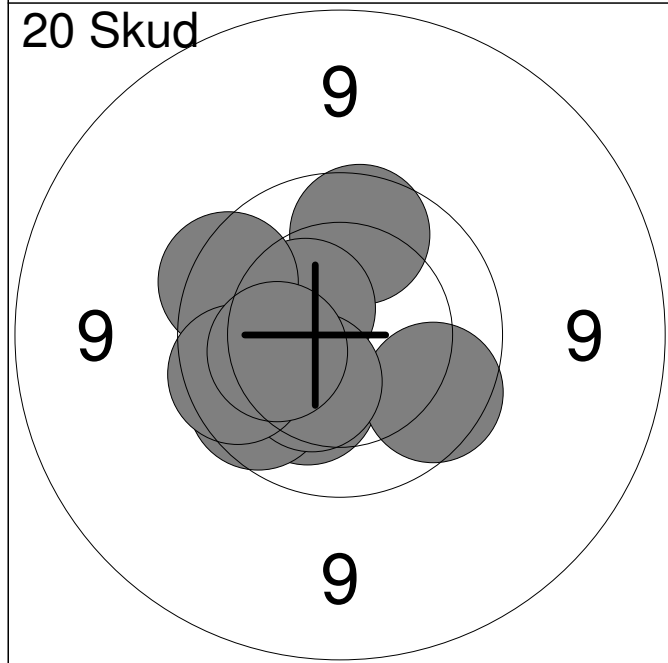
1:	8.7	↘
2:	8.9	↓
3:	9.5	↓
4:	8.9	↘
5:	10.2	↙
6:	9.0	↘
7:	9.0	↘
8:	10.3	↘
9:	9.6	↘

Serie	80.0
Total	0.0



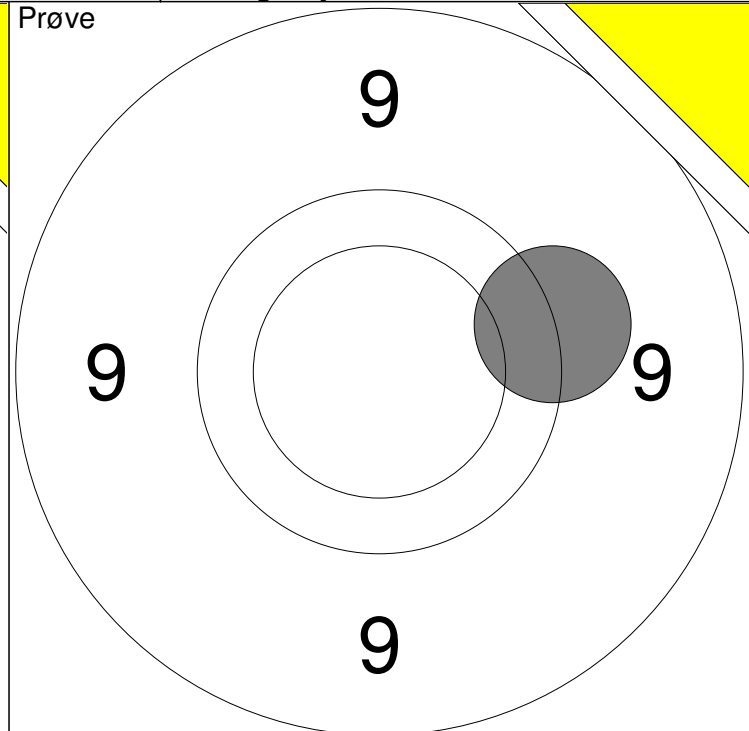
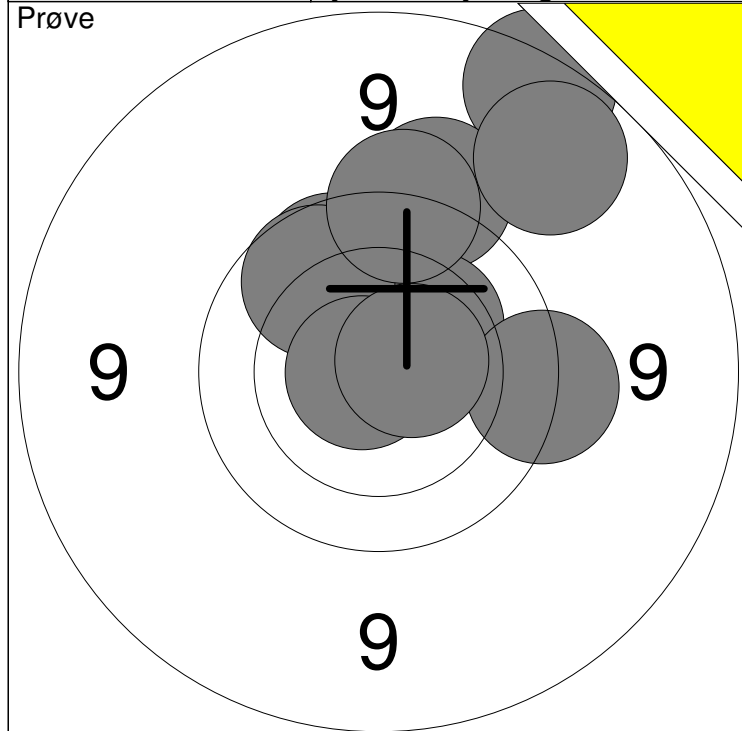
1:	10.1	↘
2:	9.8	↘
3:	10.2	↘
4:	9.1	↘
5:	9.8	↙
6:	9.5	↘
7:	9.7	→
8:	10.3	↙
9:	10.1	↙
10:	9.8	↗

Serie	94.0
Total	94.0



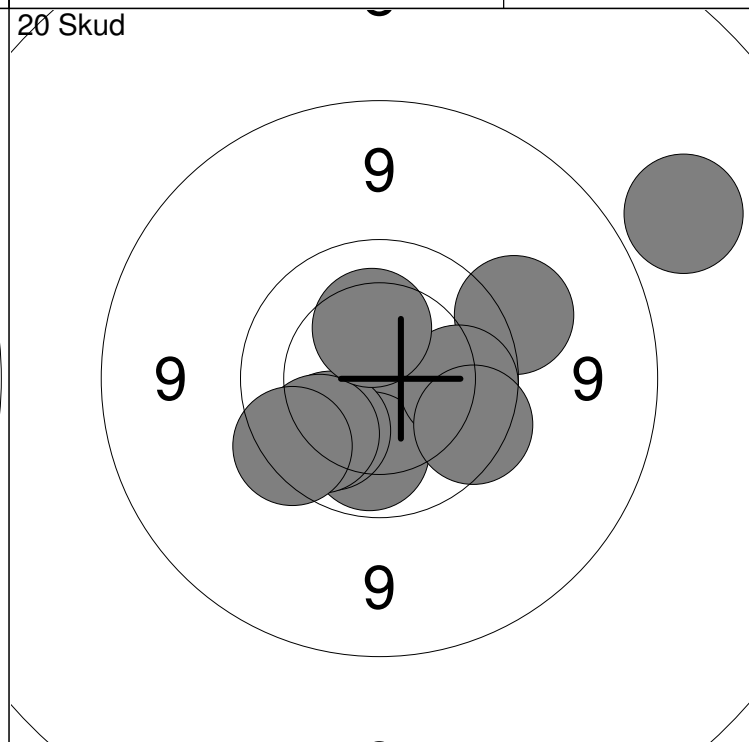
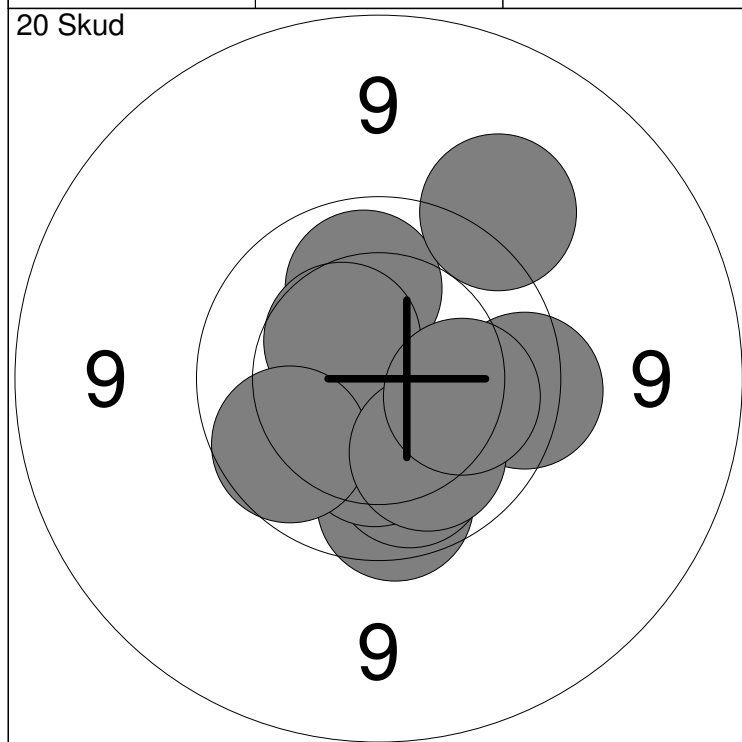
11:	9.9	↑
12:	10.2	↘
13:	9.9	↙
14:	10.2	↙
15:	10.5	↗
16:	9.8	↘
17:	10.4	↘
18:	9.8	↗
19:	9.8	↙
20:	10.3	↙

Serie	95.0
Total	189.0



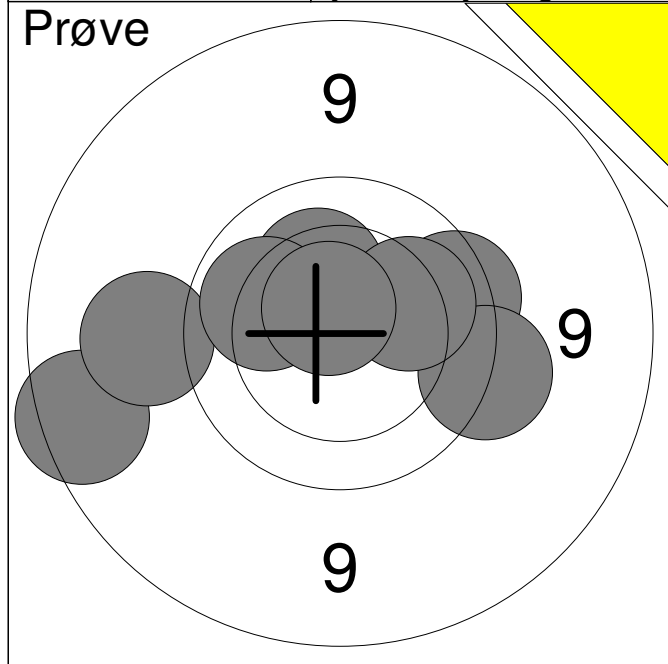
1: 8.8 ↗	6: 9.9 ↖	Serie	92.0
2: 9.9 ↖	7: 9.6 ↗		
3: 9.5 ↗	8: *10.8 ←	Total	0.0
4: 10.3 ↗	9: 9.0 ↗		
5: 9.6 →	10: *10.6 →		

11: 9.5 →	Serie	9.0
	Total	0.0

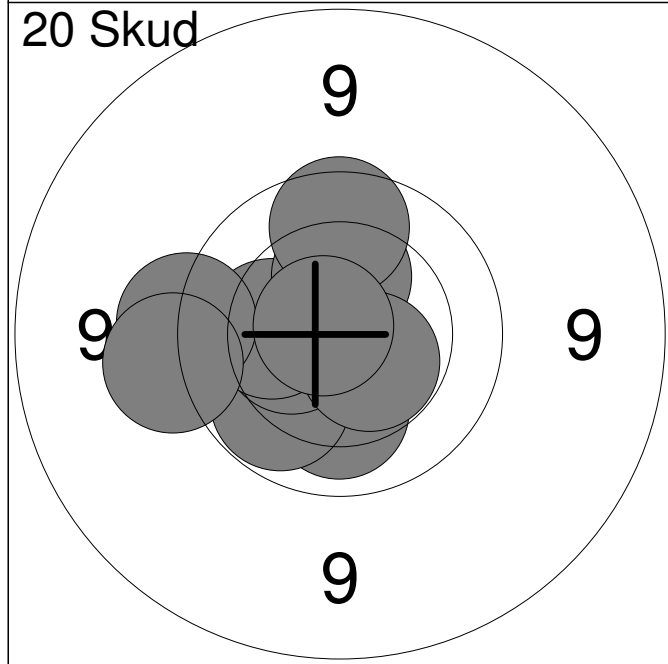


1: 10.1 ↑	6: 9.7 →	Serie	96.0
2: 9.8 ↓	7: 9.9 ↙		
3: 10.0 ↓	8: 10.1 ↓	Total	96.0
4: 10.3 ↓	9: 10.1 →		
5: 10.4 ↖	10: 9.4 ↗		

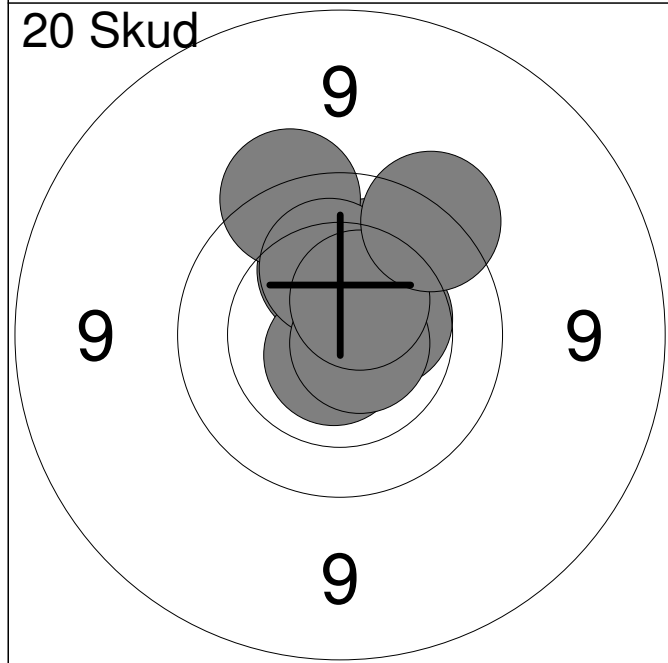
11: *10.7 →	16: 9.9 ↙	Serie	93.0
12: 9.4 →	17: 10.3 ↑		
13: 10.0 ↓	18: 9.7 ↙	Total	189.0
14: 10.0 ↙	19: 9.8 →		
15: 9.9 →	20: 8.4 →		



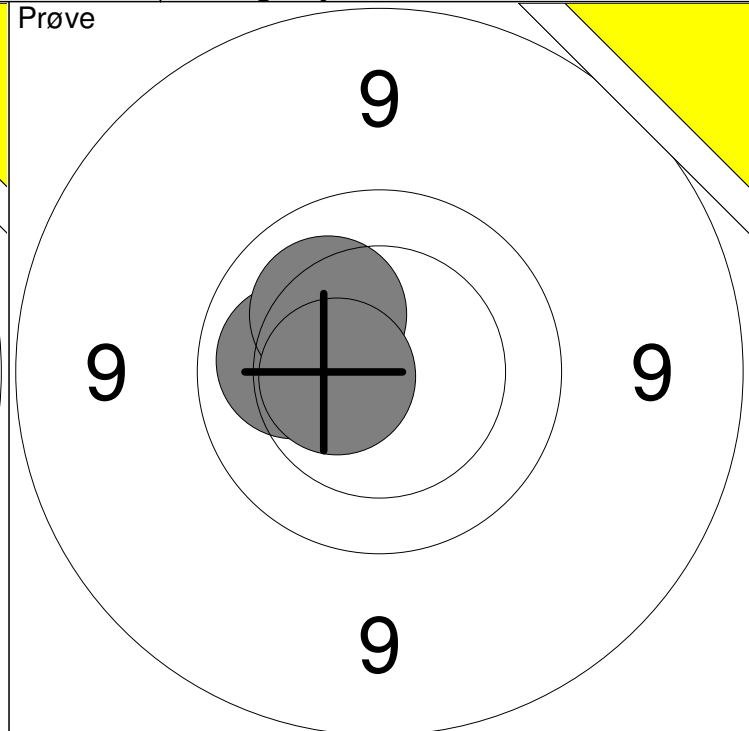
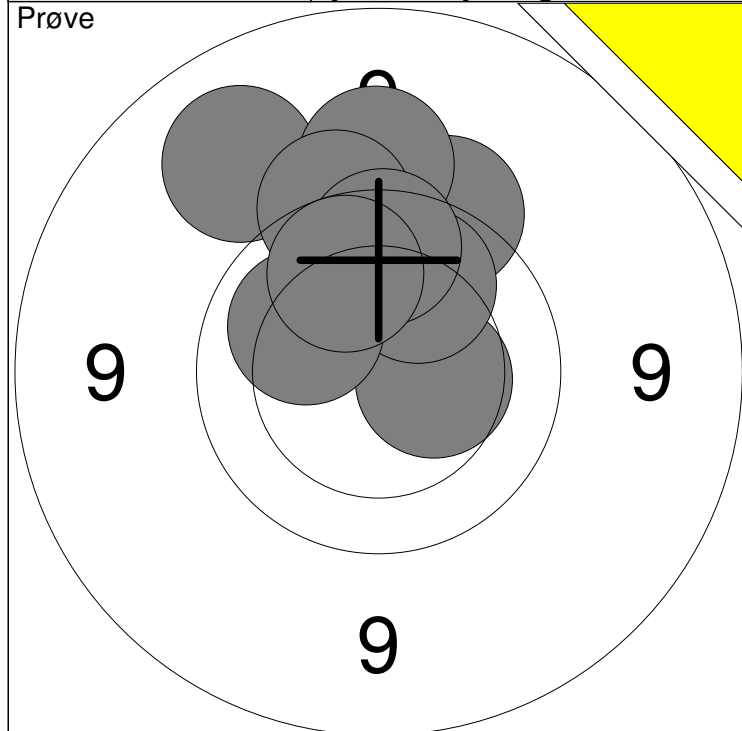
1:	8.8	←
2:	9.3	←
3:	9.8	→
4:	9.6	→
5:	10.2	↑
6:	10.1	→
7:	10.1	←
8:	*10.6	↑
Serie		75.0
Total		0.0



1:	10.1	↓
2:	10.0	↙
3:	10.4	←
4:	10.2	←
5:	9.6	←
6:	10.3	↑
7:	9.9	↑
8:	9.5	←
9:	*10.5	↘
10:	*10.7	↙
Serie		97.0
Total		97.0

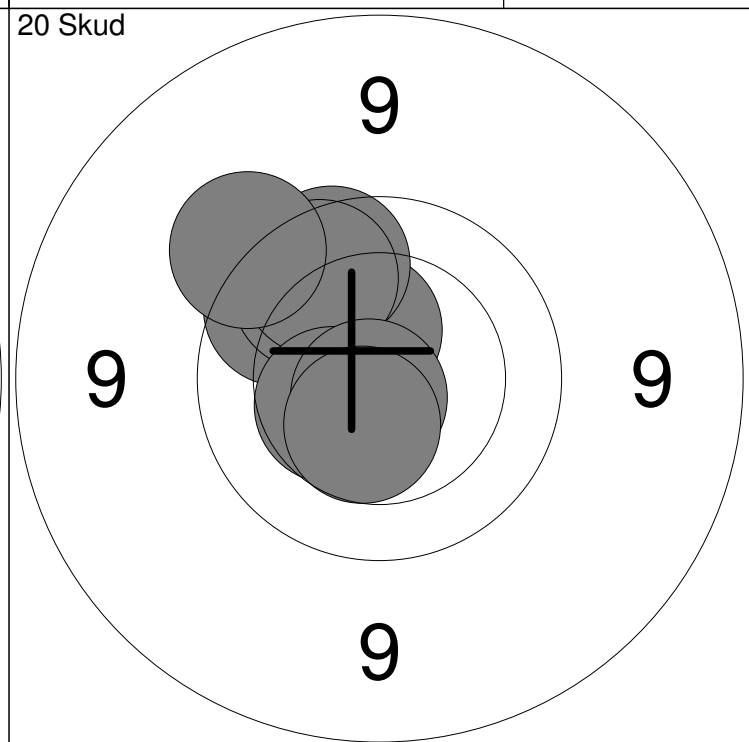
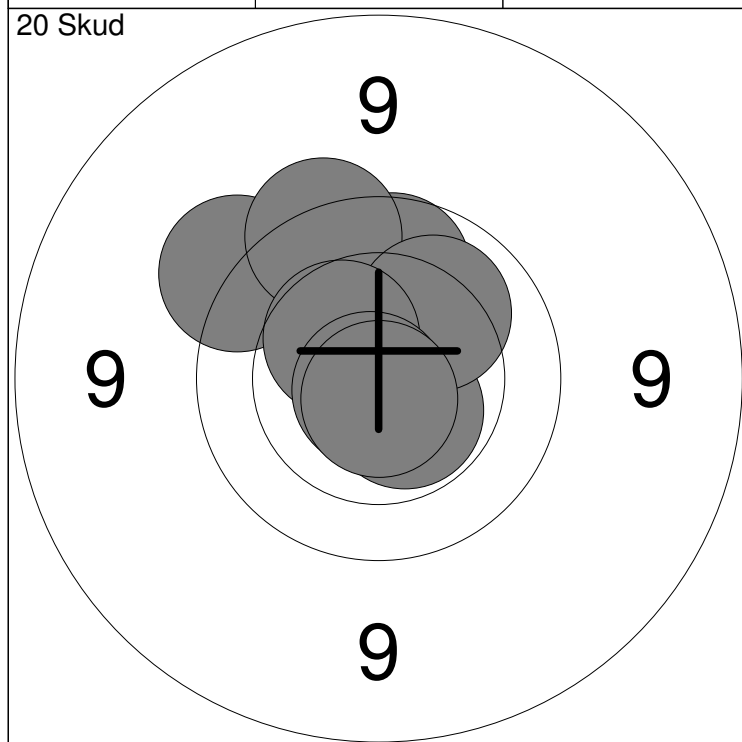


11:	10.2	↑
12:	*10.7	↓
13:	10.2	↗
14:	9.6	↑
15:	*10.5	↗
16:	10.2	↑
17:	10.5	→
18:	*10.7	↘
19:	*10.5	↗
20:	9.6	↗
Serie		98.0
Total		195.0



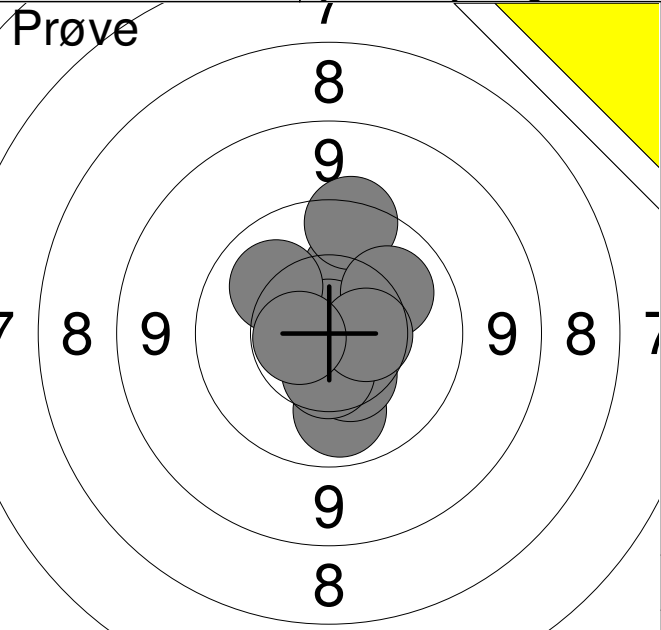
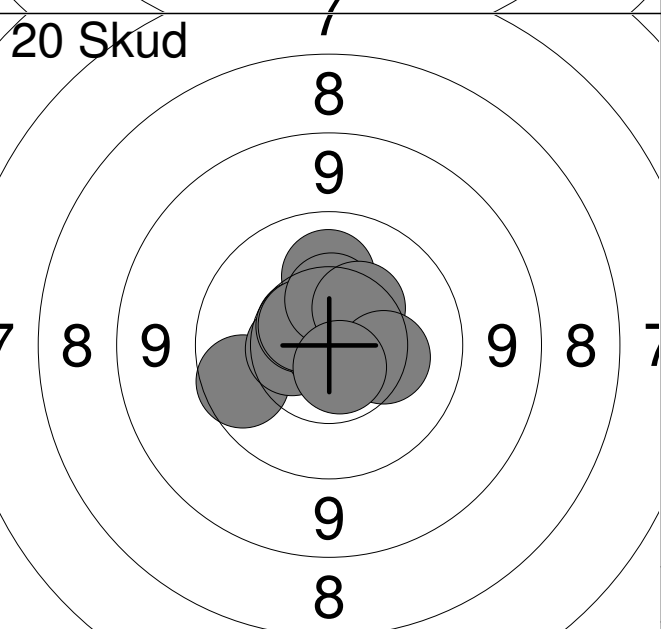
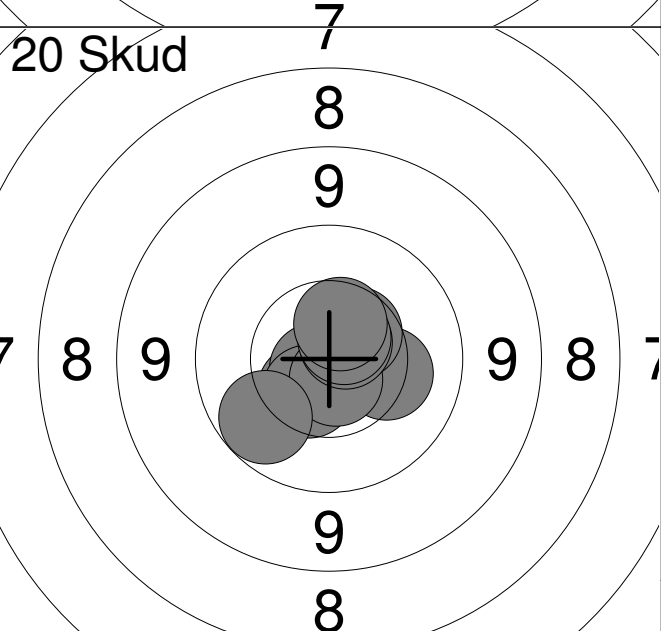
1: 10.4 →	6: 10.1 ↖	Serie	93.0
2: 9.6 ↗	7: 9.4 ↗		
3: 10.0 ↗	8: 9.6 ↗	Total	0.0
4: 9.7 ↗	9: 9.8 ↗		
5: 9.1 ↖	10: 9.9 ↗		

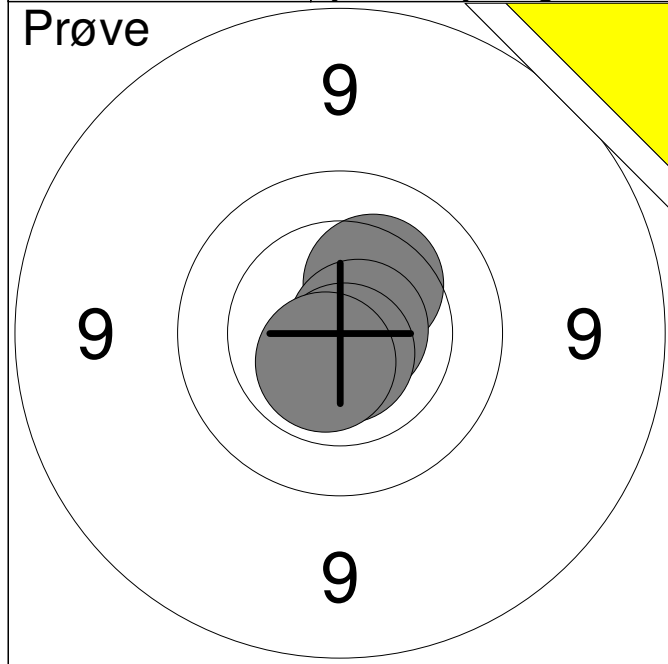
11: 10.1 ←	Serie	30.0
12: 10.2 ↖		
13: *10.5 ←	Total	0.0



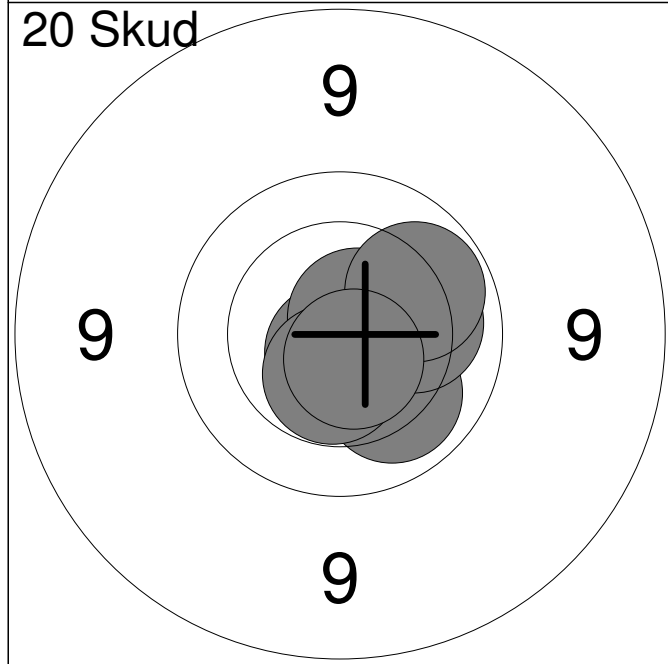
1: *10.6 ↗	6: 9.7 ↗	Serie	97.0
2: *10.5 ↖	7: 10.1 ↗		
3: 9.9 ↗	8: 10.4 ↖	Total	97.0
4: 9.5 ↖	9: *10.8 ↘		
5: *10.6 ↘	10: *10.7 ↘		

11: 10.4 ↖	16: 9.9 ↗	Serie	95.0
12: 9.9 ↖	17: 10.4 ↖		
13: 10.5 ↗	18: 9.5 ↖	Total	192.0
14: 9.8 ↗	19: *10.7 ↘		
15: 9.9 ↗	20: 10.5 ↘		

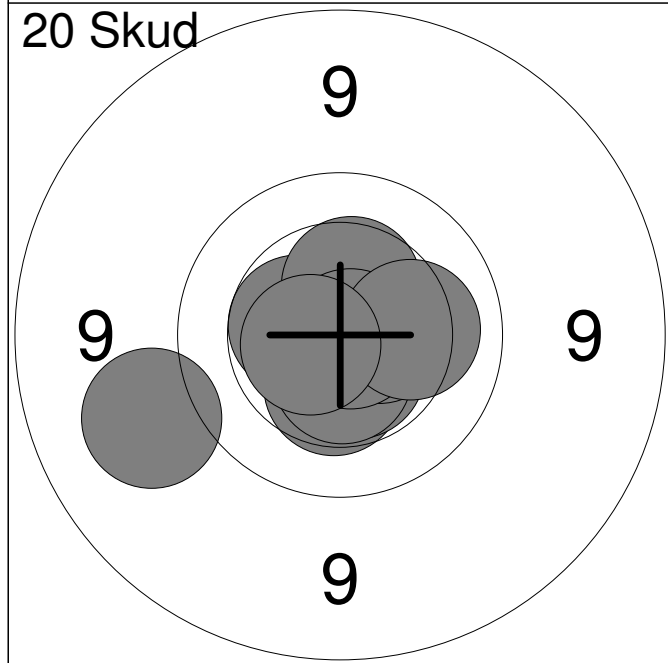
	Jyllandsskydning		Aalborg Skyttekreds
Prøve 			1: 10.2 ↗ 2: 9.6 ↗ 3: *10.9 ↗ 4: 10.1 ↗ 5: 10.0 ↓ 6: 10.4 ↓ 7: 10.5 ↓ 8: 10.5 → 9: 10.1 ↗ 10: *10.6 ←
	Serie		99.0
	Total		0.0
20 Skud 			1: 9.9 ← 2: 10.5 ← 3: 10.6 ↗ 4: *10.9 ↓ 5: 10.2 ↑ 6: 10.6 ↗ 7: 10.4 ↑ 8: 10.4 ↗ 9: 10.3 → 10: *10.7 ↓
	Serie		99.0
	Total		99.0
20 Skud 			11: 10.3 → 12: 10.5 ↘ 13: *10.8 ↘ 14: 10.5 ↘ 15: *10.7 ↓ 16: 10.5 ↗ 17: *10.7 ↗ 18: 10.0 ↘ 19: *10.7 ↗ 20: 10.5 ↑
	Serie		100.0
	Total		199.0



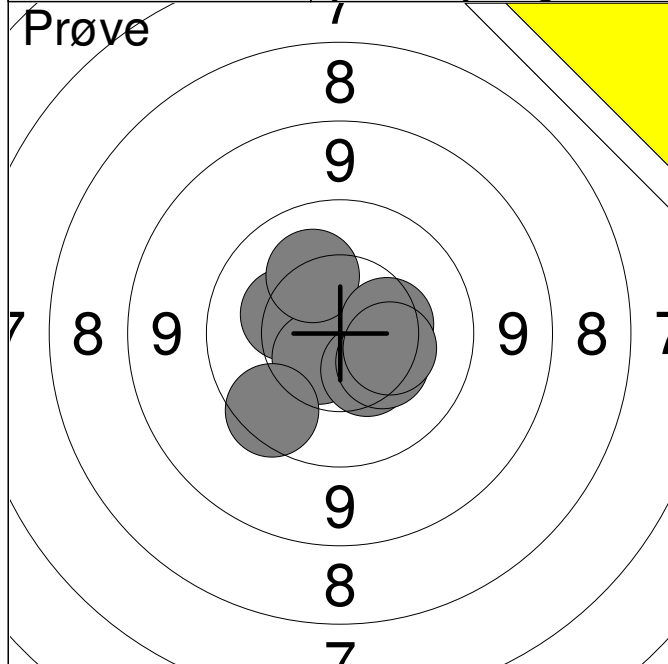
1:	10.3	↗
2:	*10.7	→
3:	*10.7	↓
4:	*10.6	↘
Serie		40.0
Total		0.0



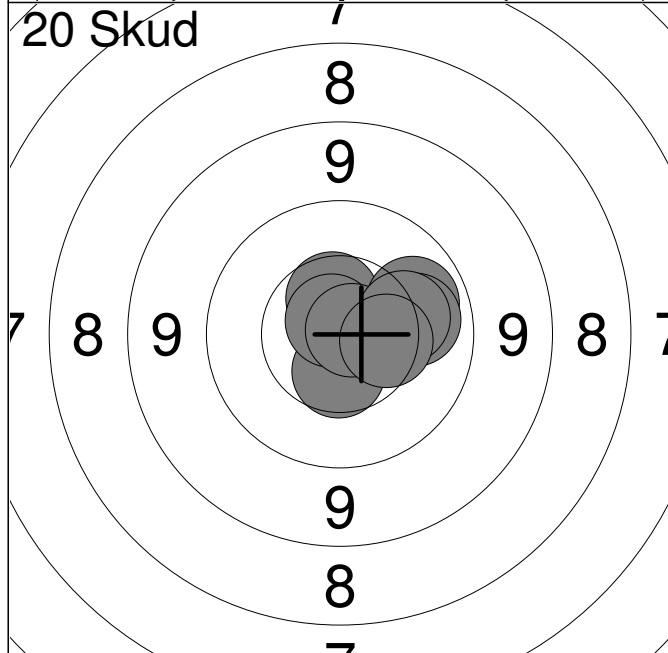
1:	*10.7	↘
2:	10.2	↘
3:	*10.6	↘
4:	*10.6	↘
5:	10.1	↘
6:	10.1	→
7:	*10.7	↗
8:	*10.5	↓
9:	10.0	↗
10:	*10.6	↘
Serie		100.0
Total		100.0



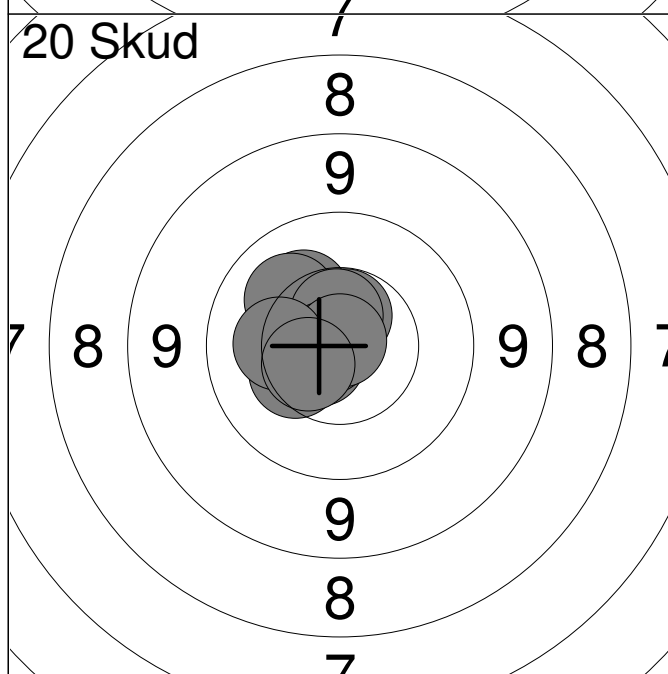
11:	9.3	←
12:	10.5	←
13:	10.4	↓
14:	*10.5	↓
15:	*10.5	↓
16:	*10.5	→
17:	10.4	↑
18:	*10.8	→
19:	10.2	→
20:	*10.6	←
Serie		99.0
Total		199.0



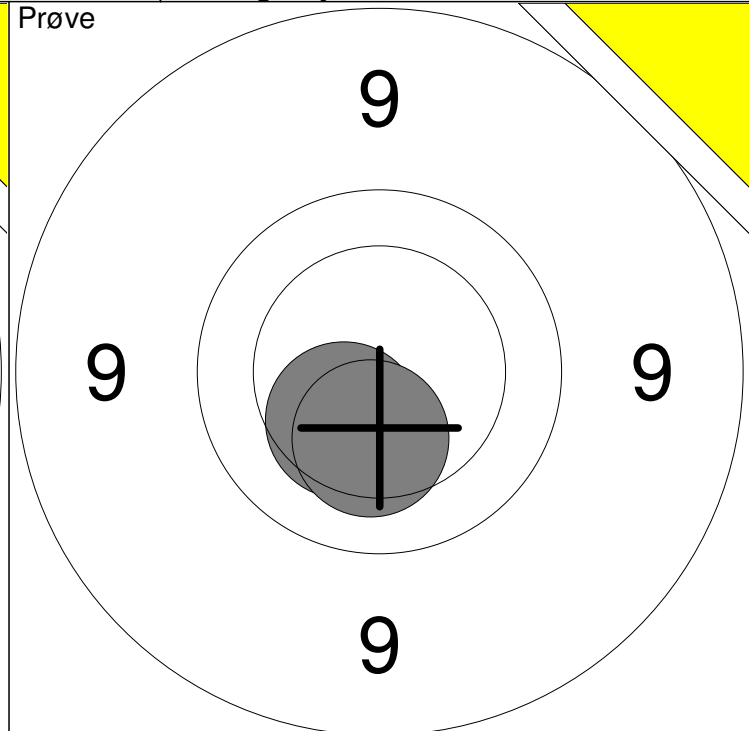
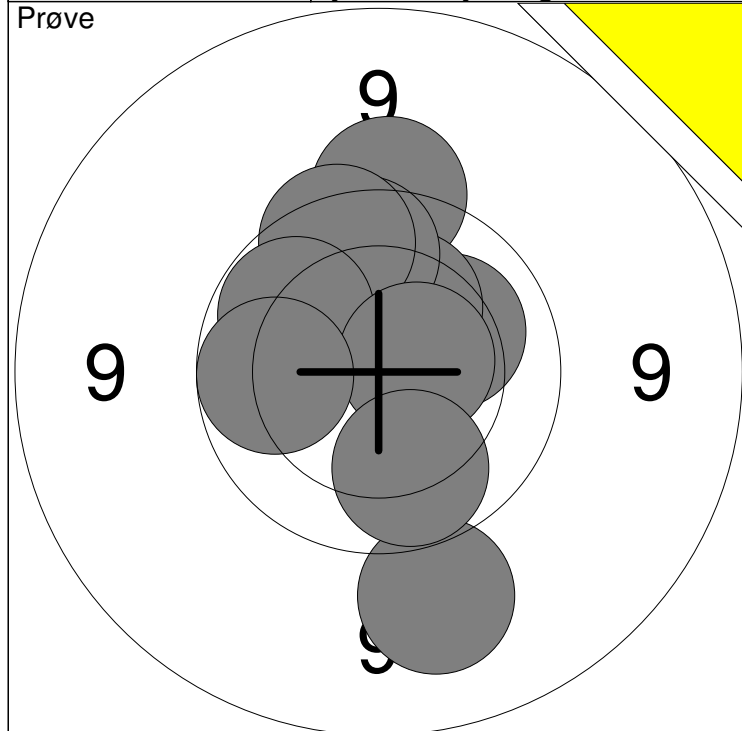
1:	10.3	↖
2:	10.6	↙
3:	9.7	↘
4:	10.4	↘
5:	10.2	↗
6:	10.4	→
7:	10.4	↘
8:	10.3	→
Serie		79.0
Total		0.0



1:	*10.8	↑
2:	*10.7	↘
3:	10.5	↑
4:	10.0	→
5:	10.5	↓
6:	10.1	→
7:	*10.8	↗
8:	*10.8	→
9:	10.2	→
10:	10.4	→
Serie		100.0
Total		100.0

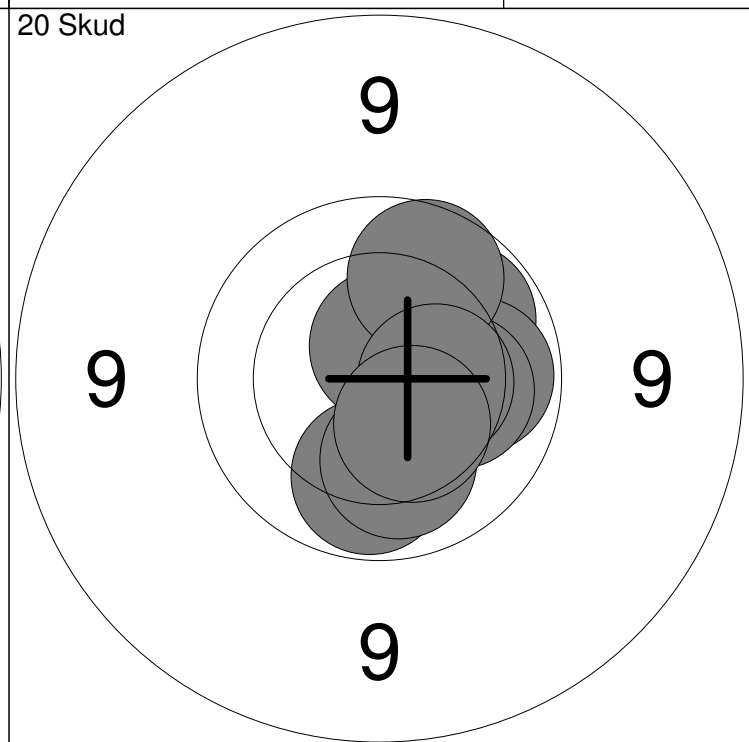
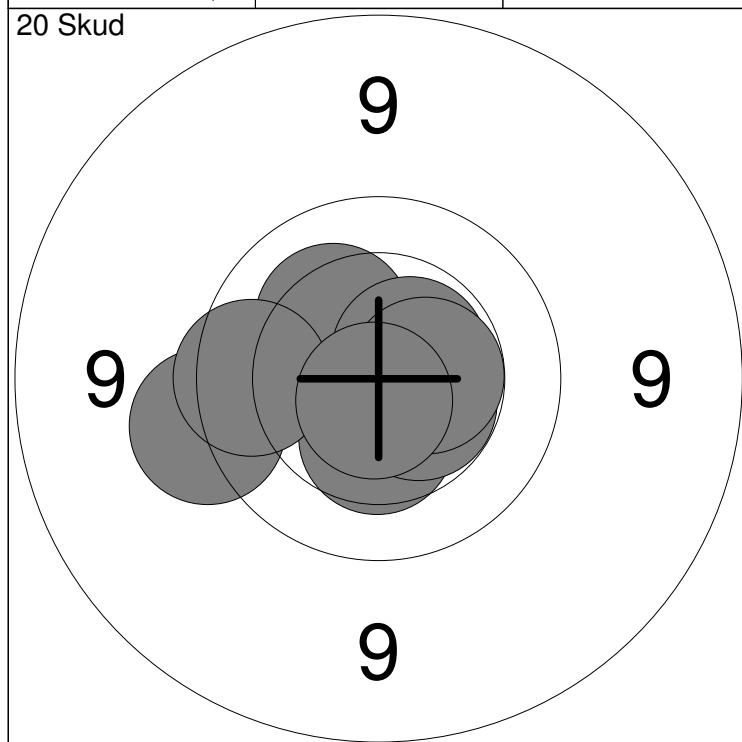


11:	10.2	↗
12:	10.3	↙
13:	10.2	↗
14:	*10.7	↙
15:	*10.6	↑
16:	*10.6	↑
17:	*10.8	←
18:	*10.9	↑
19:	10.2	←
20:	10.5	↙
Serie		100.0
Total		200.0



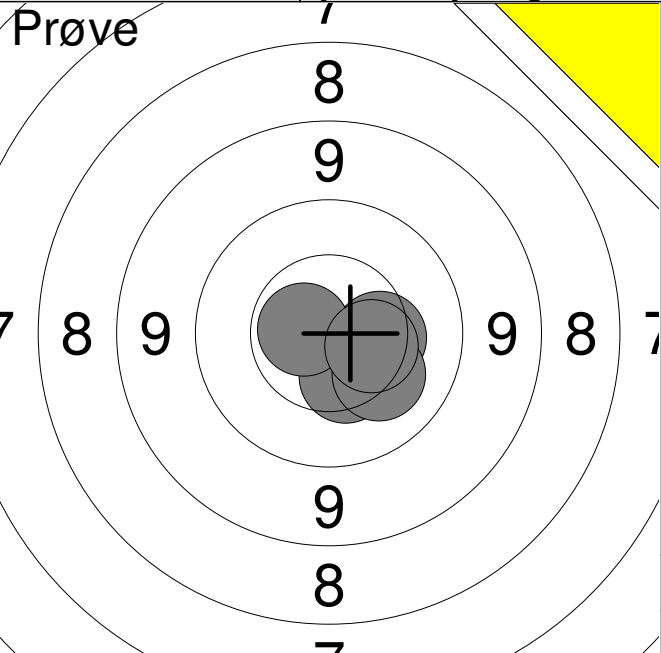
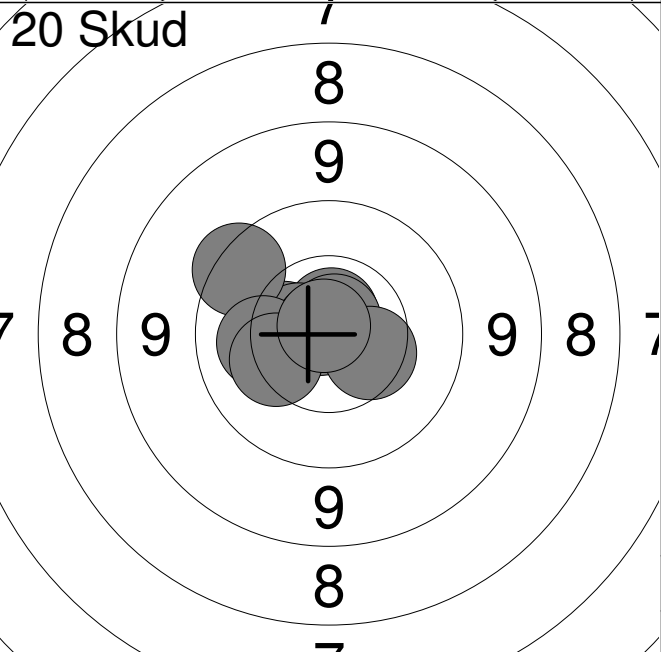
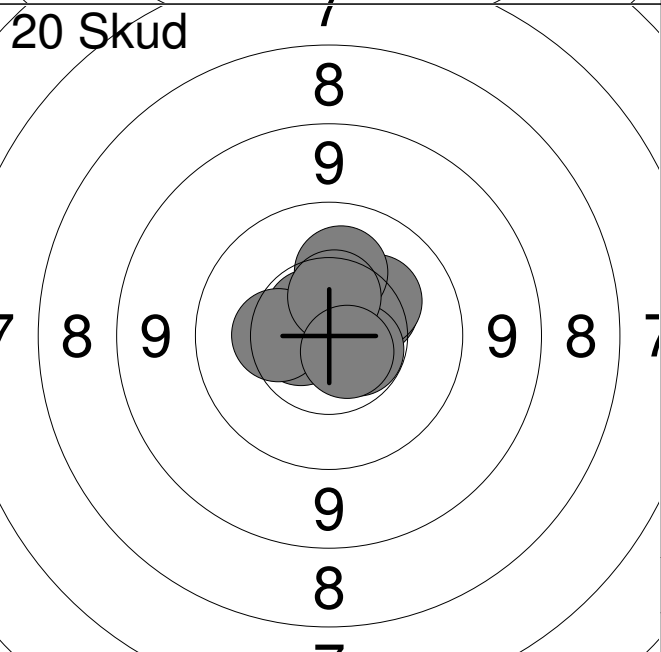
1: 9.3 ↓	6: 9.8 ↑	Serie	95.0
2: 10.2 ↗	7: 10.0 ↖		
3: 9.5 ↑	8: *10.6 →	Total	0.0
4: 10.3 ↑	9: 9.9 ←		
5: 9.9 ↑	10: 10.0 ↓		

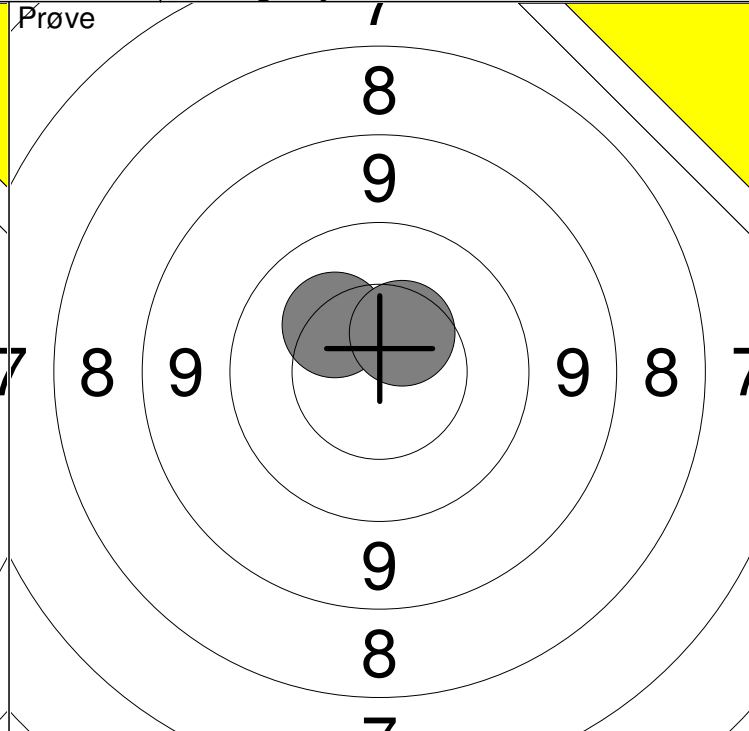
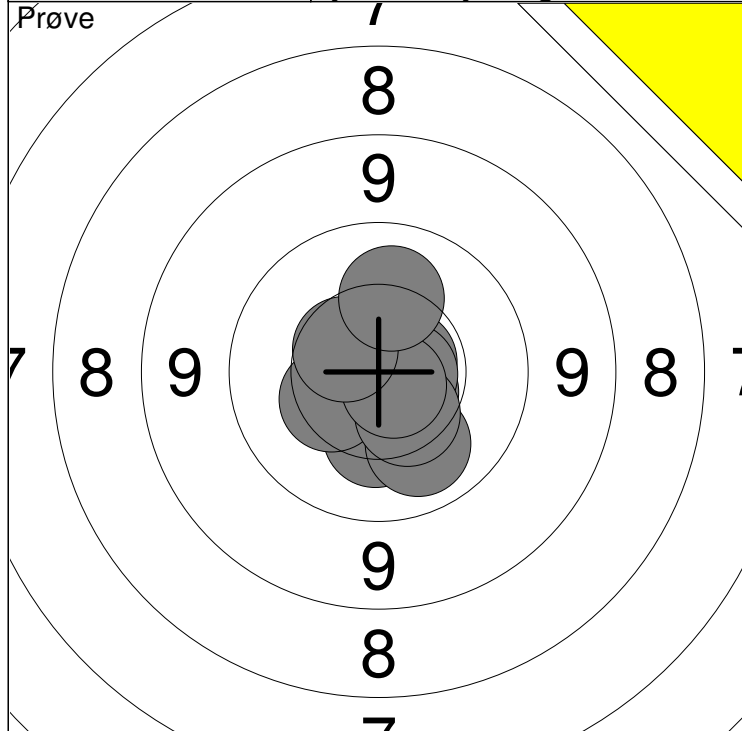
11: 10.4 ↙	Serie	20.0
12: 10.3 ↓		
Total		0.0



1: 10.4 ↓	6: *10.5 →	Serie	98.0
2: *10.9 ↗	7: 9.5 ←		
3: *10.6 →	8: 9.8 ←	Total	98.0
4: 10.2 ↖	9: *10.5 →		
5: *10.6 ↗	10: *10.7 ↓		

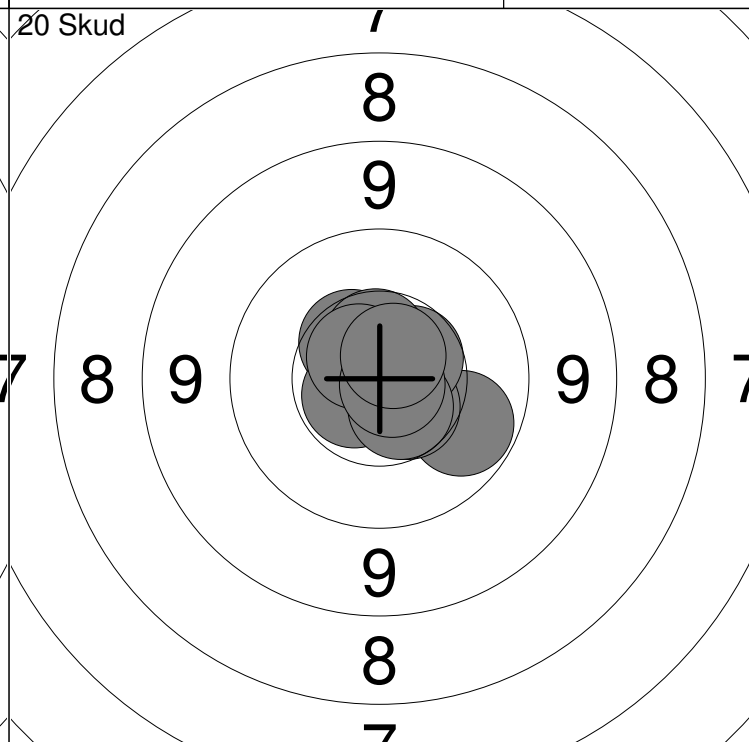
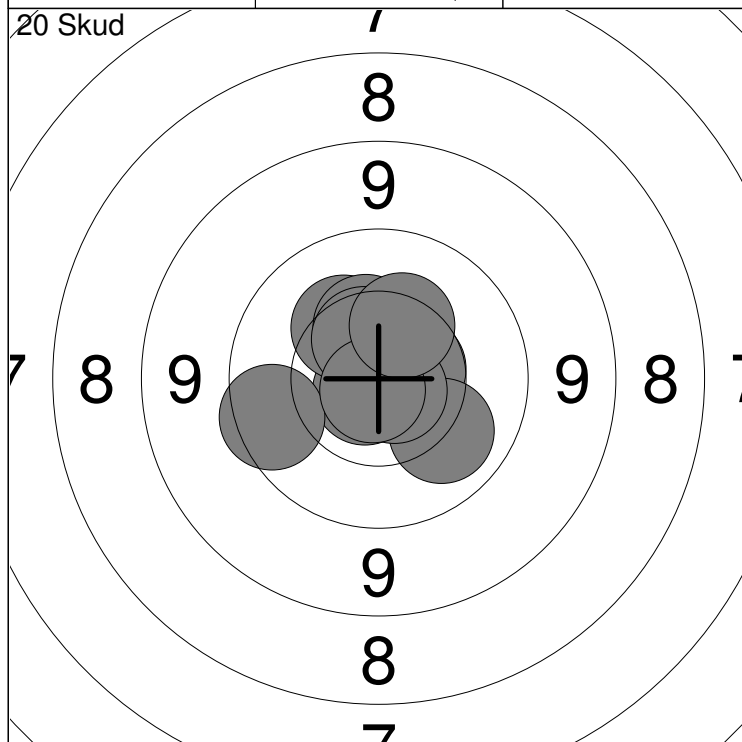
11: 10.0 ↓	16: *10.6 ↑	Serie	99.0
12: 10.0 ↗	17: 10.2 →		
13: 10.4 →	18: 9.9 ↑	Total	197.0
14: 10.0 →	19: 10.4 →		
15: 10.1 ↓	20: 10.4 ↓		

	Jyllandsskydning	Aalborg Skyttekreds																													
Prøve 	<table style="width:100%; border-collapse: collapse;"> <tr><td style="width:10%;">1:</td><td style="width:70%;">10.4</td><td style="width:20%; text-align: center;">→</td></tr> <tr><td>2:</td><td>10.4</td><td style="text-align: center;">↓</td></tr> <tr><td>3:</td><td>10.2</td><td style="text-align: center;">↓</td></tr> <tr><td>4:</td><td>*10.7</td><td style="text-align: center;">←</td></tr> <tr><td>5:</td><td>10.4</td><td style="text-align: center;">→</td></tr> </table>	1:	10.4	→	2:	10.4	↓	3:	10.2	↓	4:	*10.7	←	5:	10.4	→															
1:	10.4	→																													
2:	10.4	↓																													
3:	10.2	↓																													
4:	*10.7	←																													
5:	10.4	→																													
	Serie	50.0																													
	Total	0.0																													
20 Skud 	<table style="width:100%; border-collapse: collapse;"> <tr><td style="width:10%;">1:</td><td style="width:70%;">*10.7</td><td style="width:20%; text-align: center;">↑</td></tr> <tr><td>2:</td><td>10.4</td><td style="text-align: center;">←</td></tr> <tr><td>3:</td><td>*10.6</td><td style="text-align: center;">←</td></tr> <tr><td>4:</td><td>9.6</td><td style="text-align: center;">↗</td></tr> <tr><td>5:</td><td>*10.8</td><td style="text-align: center;">↗</td></tr> <tr><td>6:</td><td>10.2</td><td style="text-align: center;">←</td></tr> <tr><td>7:</td><td>10.3</td><td style="text-align: center;">←</td></tr> <tr><td>8:</td><td>*10.8</td><td style="text-align: center;">↑</td></tr> <tr><td>9:</td><td>10.4</td><td style="text-align: center;">→</td></tr> <tr><td>10:</td><td>*10.8</td><td style="text-align: center;">↗</td></tr> </table>	1:	*10.7	↑	2:	10.4	←	3:	*10.6	←	4:	9.6	↗	5:	*10.8	↗	6:	10.2	←	7:	10.3	←	8:	*10.8	↑	9:	10.4	→	10:	*10.8	↗
1:	*10.7	↑																													
2:	10.4	←																													
3:	*10.6	←																													
4:	9.6	↗																													
5:	*10.8	↗																													
6:	10.2	←																													
7:	10.3	←																													
8:	*10.8	↑																													
9:	10.4	→																													
10:	*10.8	↗																													
	Serie	99.0																													
	Total	99.0																													
20 Skud 	<table style="width:100%; border-collapse: collapse;"> <tr><td style="width:10%;">11:</td><td style="width:70%;">*10.6</td><td style="width:20%; text-align: center;">←</td></tr> <tr><td>12:</td><td>10.4</td><td style="text-align: center;">↗</td></tr> <tr><td>13:</td><td>*10.6</td><td style="text-align: center;">↗</td></tr> <tr><td>14:</td><td>*10.7</td><td style="text-align: center;">↗</td></tr> <tr><td>15:</td><td>10.4</td><td style="text-align: center;">←</td></tr> <tr><td>16:</td><td>10.3</td><td style="text-align: center;">↗</td></tr> <tr><td>17:</td><td>*10.6</td><td style="text-align: center;">→</td></tr> <tr><td>18:</td><td>10.2</td><td style="text-align: center;">↑</td></tr> <tr><td>19:</td><td>10.5</td><td style="text-align: center;">↑</td></tr> <tr><td>20:</td><td>*10.7</td><td style="text-align: center;">↓</td></tr> </table>	11:	*10.6	←	12:	10.4	↗	13:	*10.6	↗	14:	*10.7	↗	15:	10.4	←	16:	10.3	↗	17:	*10.6	→	18:	10.2	↑	19:	10.5	↑	20:	*10.7	↓
11:	*10.6	←																													
12:	10.4	↗																													
13:	*10.6	↗																													
14:	*10.7	↗																													
15:	10.4	←																													
16:	10.3	↗																													
17:	*10.6	→																													
18:	10.2	↑																													
19:	10.5	↑																													
20:	*10.7	↓																													
	Serie	100.0																													
	Total	199.0																													



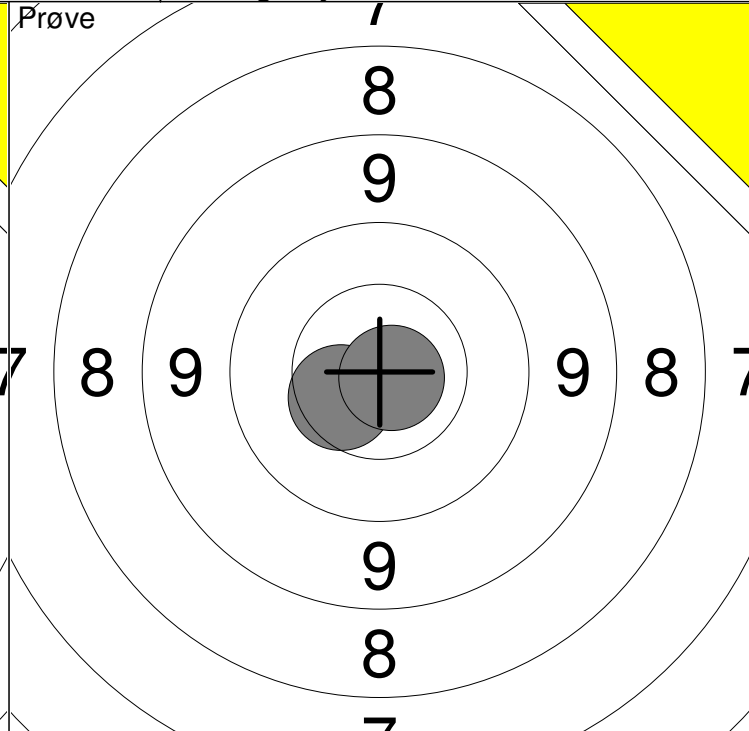
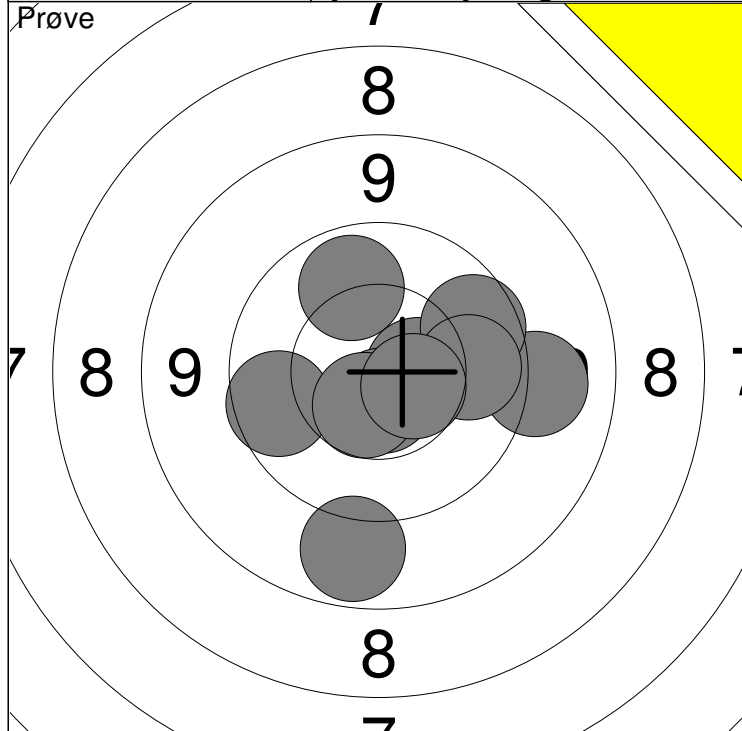
1: 10.3 ↓	6: *10.7 →	Serie	100.0
2: 10.1 ↓	7: 10.4 ↓		
3: *10.6 ↘	8: *10.7 ↘	Total	0.0
4: *10.7 →	9: 10.5 ↖		
5: 10.4 ↙	10: 10.2 ↑		

11: 10.3 ↖	Serie	20.0
12: 10.5 ↗		
Total		0.0



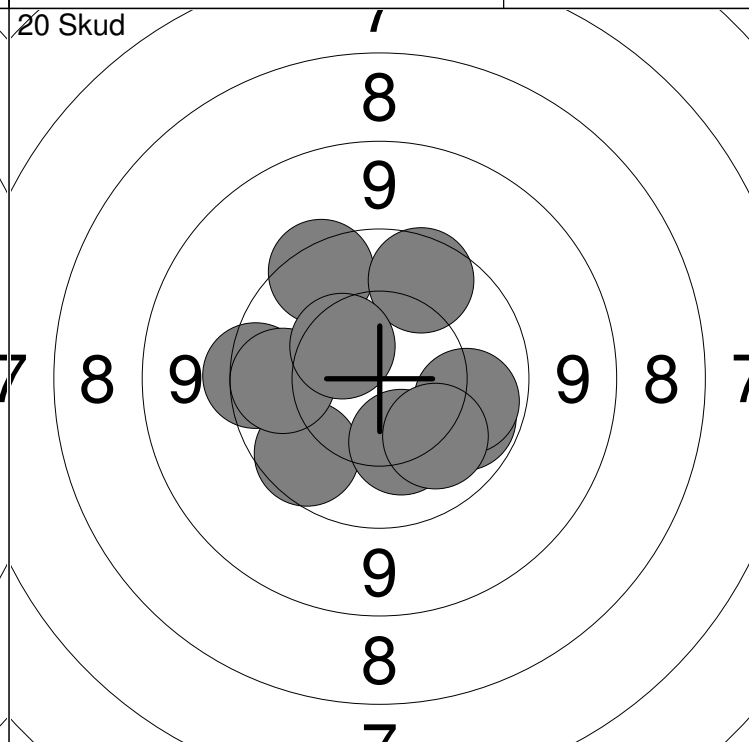
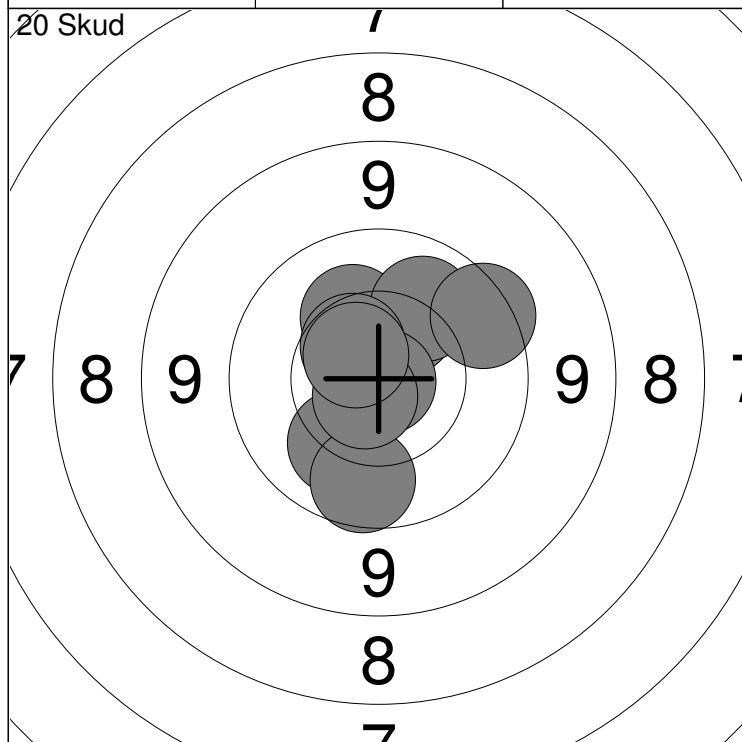
1: *10.8 ↙	6: 10.1 ↘	Serie	99.0
2: 10.3 ↖	7: 10.5 ↗		
3: 10.4 ↑	8: *10.7 ↘	Total	99.0
4: 10.6 →	9: *10.8 ↙		
5: 9.8 ↙	10: 10.4 ↗		

11: 10.5 ↖	16: 10.6 ↑	Serie	100.0
12: *10.6 ↙	17: *10.6 ↖		
13: 10.0 →	18: *10.6 ↘	Total	199.0
14: 10.5 ↘	19: *10.8 ↘		
15: 10.6 ↗	20: *10.7 ↗		



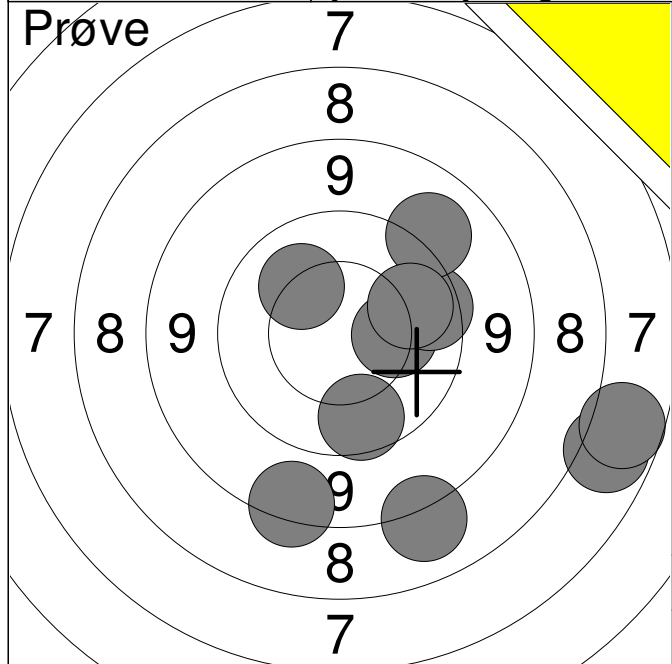
1: 9.0 ↓	6: 9.9 →	Serie	96.0
2: 10.0 ↑	7: *10.6 ↓		
3: 9.3 →	8: 10.0 →	Total	0.0
4: 9.9 ←	9: 10.6 ↓		
5: 10.5 →	10: 10.6 →		

11: 10.5 ↙	Serie	20.0
12: *10.8 →		
Total		0.0

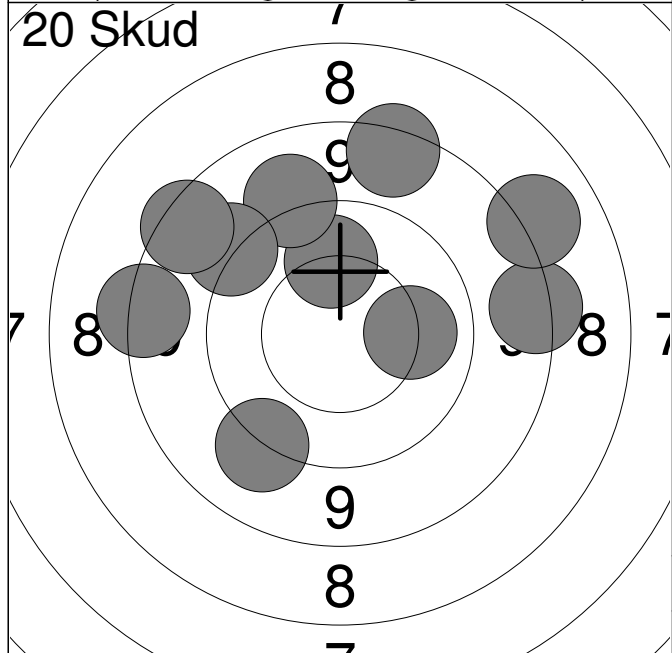


1: 10.3 ↑	6: *10.9 →	Serie	98.0
2: 10.2 ↓	7: *10.7 ↓		
3: 9.9 ↓	8: 10.5 ↗	Total	98.0
4: 10.3 ↑	9: *10.6 ↖		
5: 10.1 ↑	10: 9.7 →		

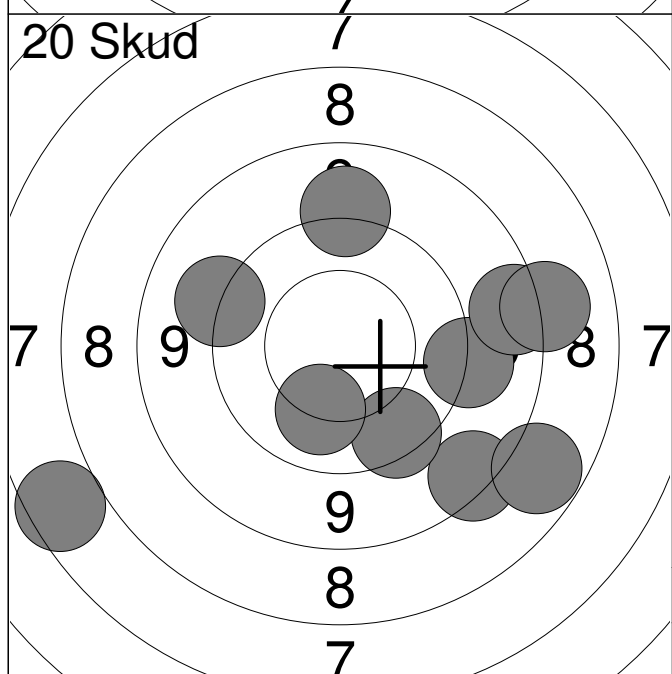
11: 9.7 ↗	Serie	95.0
12: 9.8 ↑		
13: 9.9 ↙	Total	193.0
14: 9.6 ←		
15: 10.0 →		



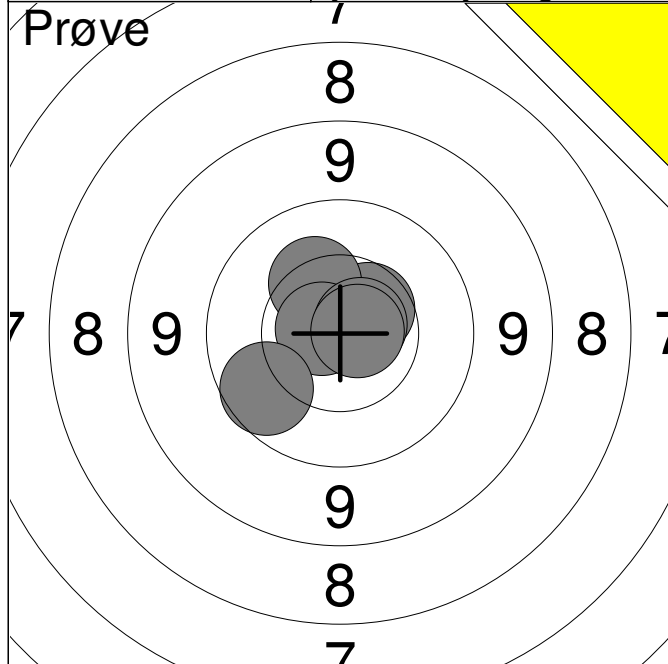
1:	8.2	↓
2:	8.6	↓
3:	10.3	→
4:	7.0	↘
5:	9.7	→
6:	10.2	↗
7:	9.8	↓
8:	9.2	↗
9:	6.9	→
10:	10.0	→
Serie		86.0
Total		0.0



1:	10.1	→
2:	10.1	↑
3:	9.3	↘
4:	9.2	↑
5:	8.5	→
6:	8.5	←
7:	9.3	↗
8:	8.7	↗
9:	8.2	→
10:	8.6	↑
Serie		87.0
Total		87.0

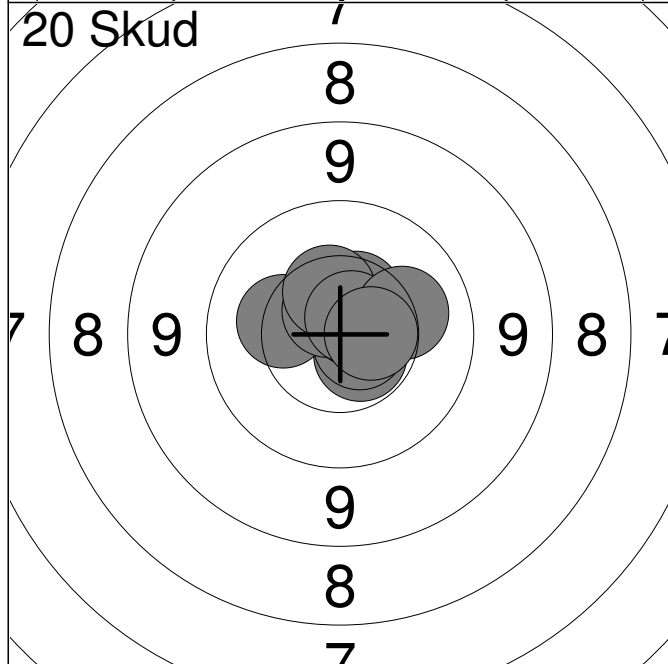


11:	8.6	↓
12:	9.7	↓
13:	9.3	↑
14:	9.3	→
15:	9.3	←
16:	8.7	→
17:	8.3	→
18:	6.8	←
19:	10.1	↓
20:	8.0	↘
Serie		84.0
Total		171.0



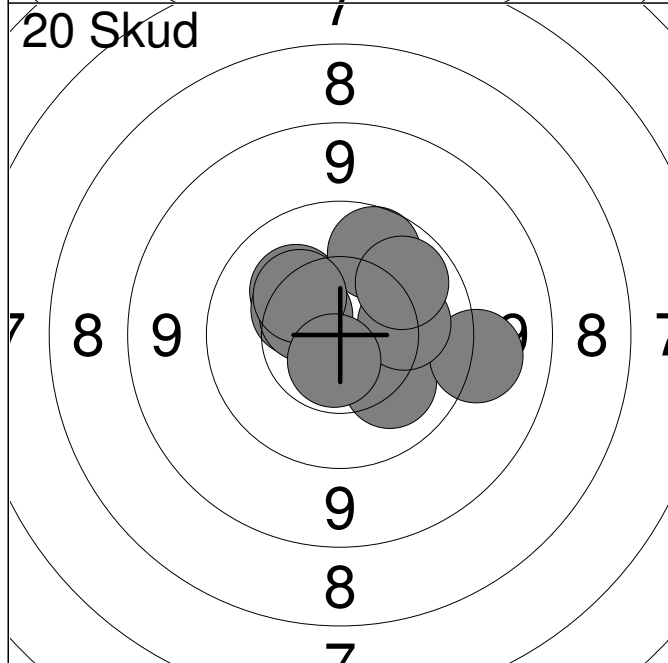
1:	10.5	↗
2:	10.3	↑
3:	*10.7	↖
4:	*10.7	↗
5:	9.9	↙
6:	*10.7	→

Serie	59.0
Total	0.0



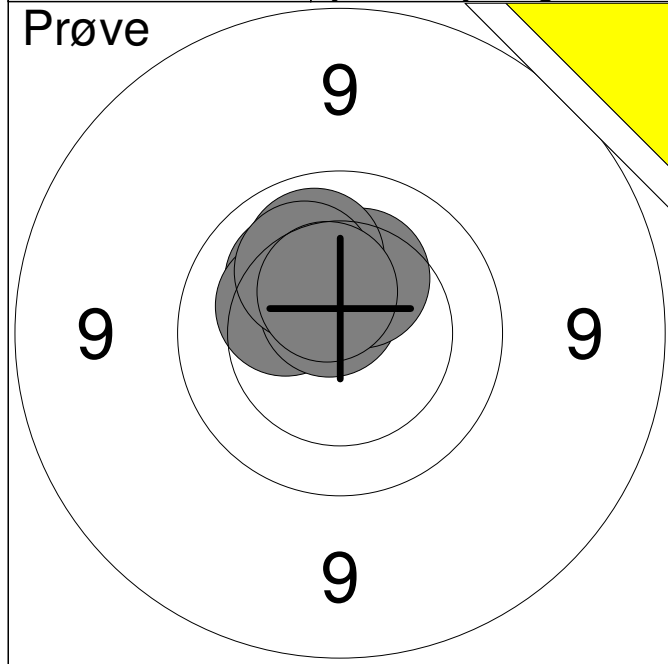
1:	*10.6	↘
2:	*10.7	↘
3:	10.5	↑
4:	10.3	↖
5:	*10.7	↗
6:	*10.6	↗
7:	10.4	↑
8:	*10.7	↗
9:	10.2	→
10:	*10.6	→

Serie	100.0
Total	100.0

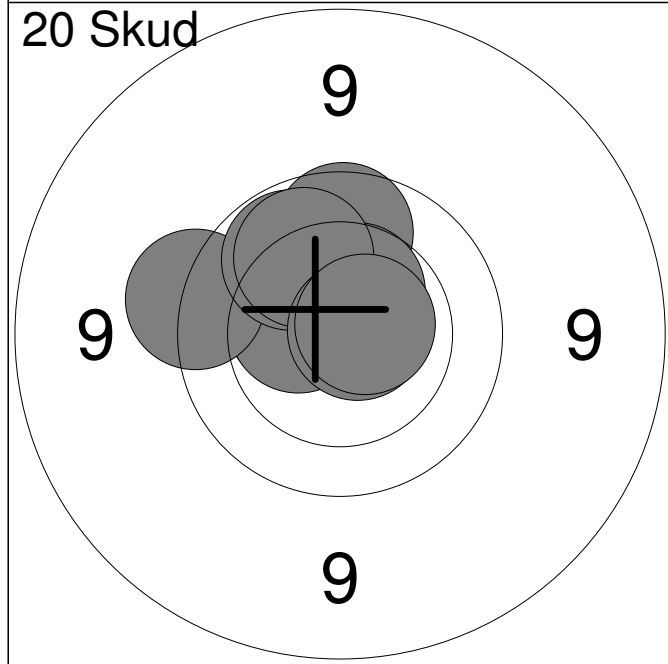


11:	10.2	↗
12:	10.2	↘
13:	9.3	→
14:	10.2	→
15:	9.9	↗
16:	10.4	↗
17:	10.5	↗
18:	10.0	↗
19:	10.3	↗
20:	*10.6	↘

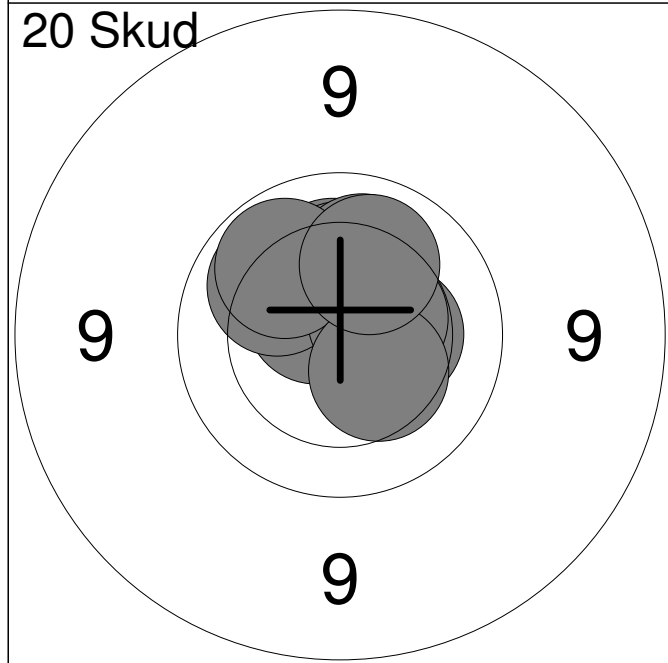
Serie	98.0
Total	198.0



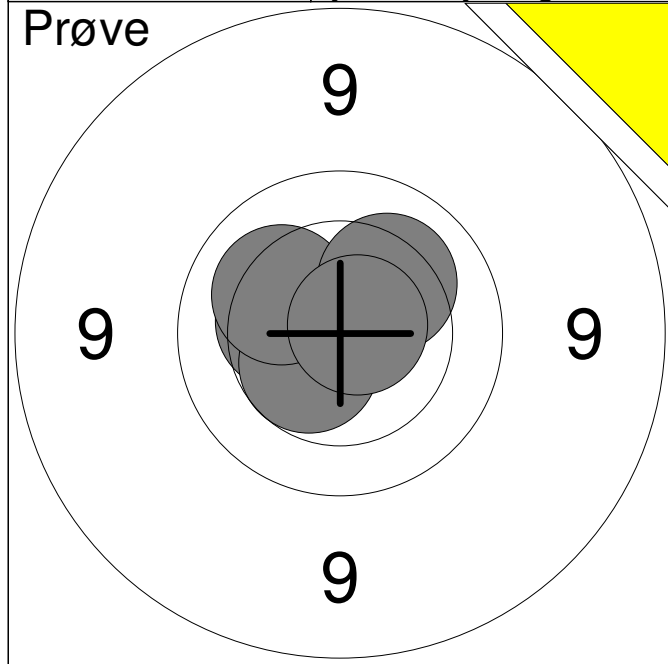
1:	10.2	↗
2:	10.3	↖
3:	*10.6	↗
4:	10.3	↗
5:	10.1	↗
6:	10.2	↗
7:	10.5	↗
Serie		70.0
Total		0.0



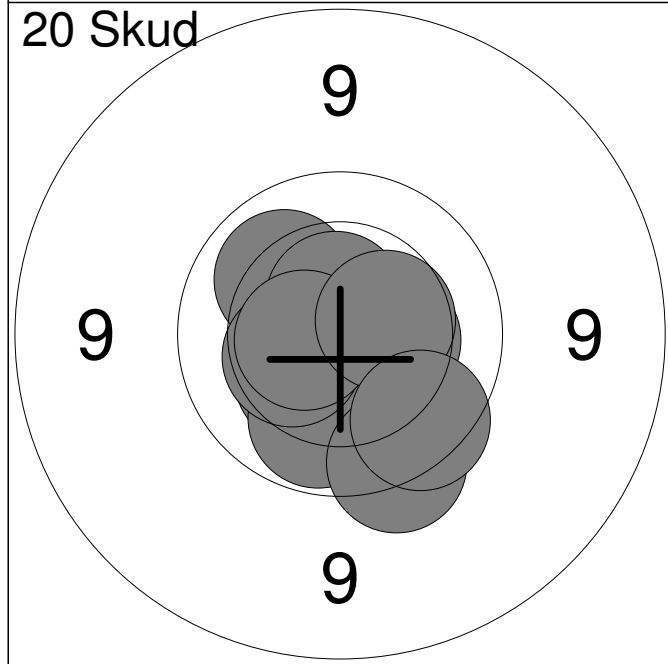
1:	*10.8	↗
2:	10.4	↖
3:	9.9	↗
4:	10.5	↗
5:	10.5	↖
6:	9.6	↖
7:	10.0	↗
8:	10.0	↗
9:	*10.8	→
10:	*10.7	→
Serie		98.0
Total		98.0



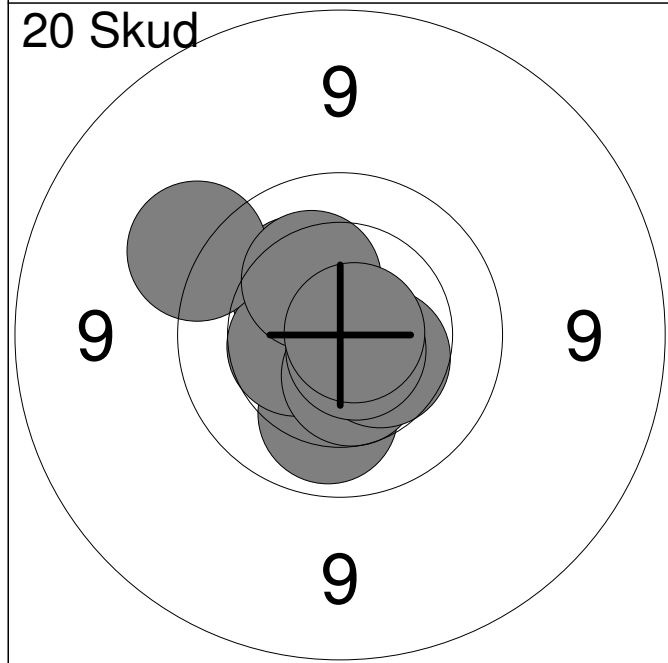
11:	10.2	↗
12:	*10.6	↖
13:	10.3	↗
14:	10.1	↗
15:	10.4	→
16:	*10.5	↗
17:	10.1	↗
18:	10.0	↗
19:	10.4	↘
20:	10.1	↗
Serie		100.0
Total		198.0



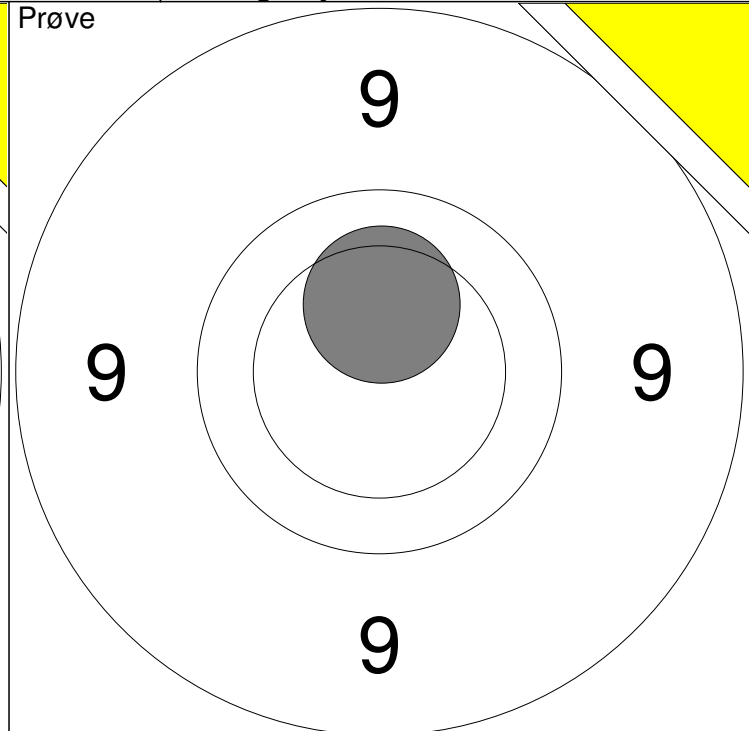
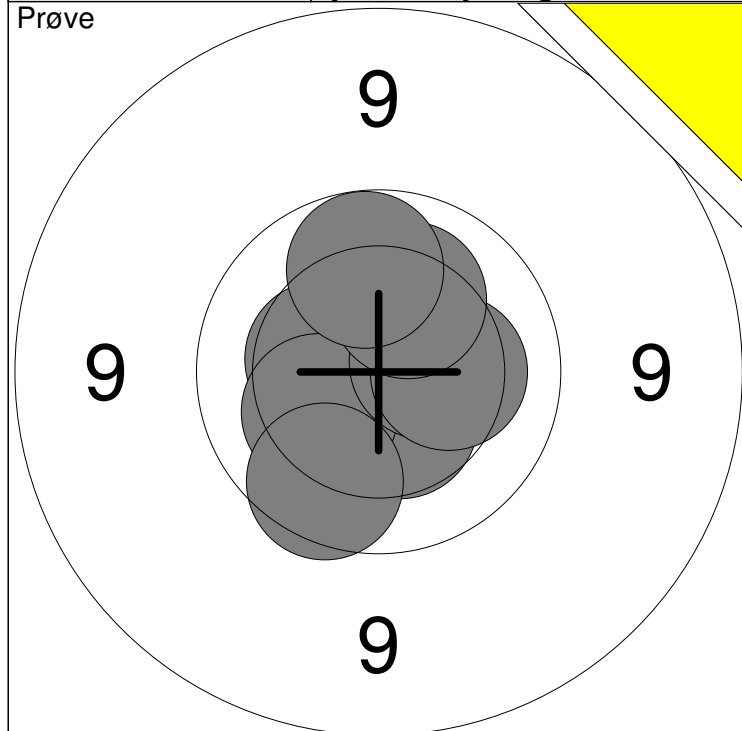
1:	10.4	←
2:	*10.5	↙
3:	10.2	↗
4:	10.2	↘
5:	*10.7	↖
Serie		50.0
Total		0.0



1:	10.1	↗
2:	10.3	↙
3:	10.4	→
4:	10.0	↘
5:	*10.6	↑
6:	9.7	↘
7:	10.4	←
8:	*10.6	←
9:	10.4	→
10:	9.8	↘
Serie		98.0
Total		98.0

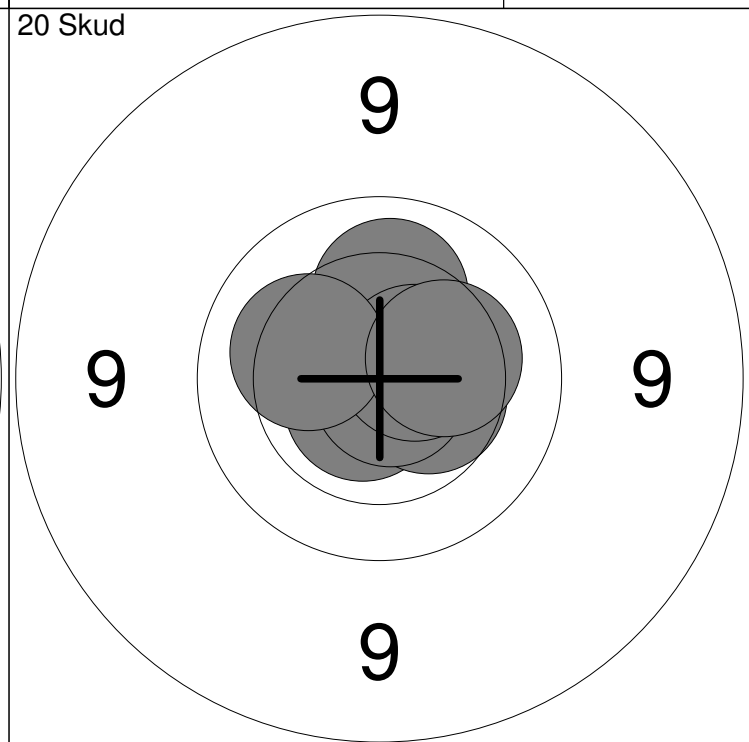
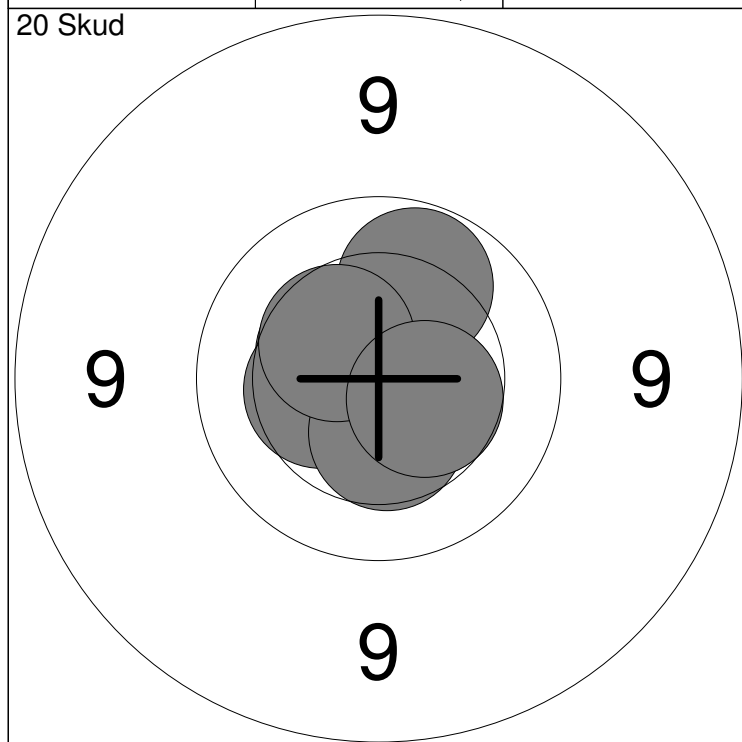


11:	*10.9	→
12:	10.3	↗
13:	10.1	↘
14:	10.5	←
15:	*10.5	↘
16:	9.5	↗
17:	10.5	↘
18:	*10.7	↘
19:	10.3	↗
20:	*10.8	→
Serie		99.0
Total		197.0



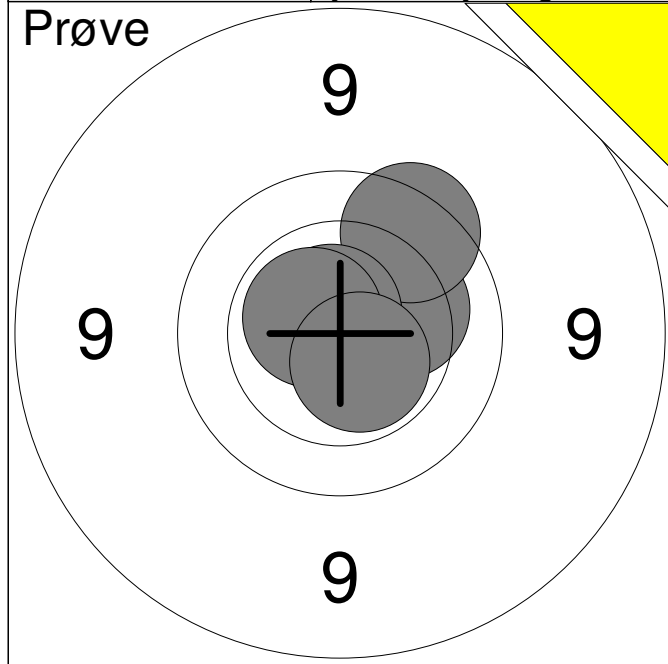
1: *10.7 ↙	6: 10.5 →	Serie	99.0
2: 10.4 ←	7: 10.3 →		
3: *10.6 →	8: 9.8 ↘	Total	0.0
4: 10.4 ↘	9: 10.2 ↗		
5: 10.3 ↙	10: 10.0 ↗		

11: 10.3 ↑		Serie	10.0
		Total	0.0

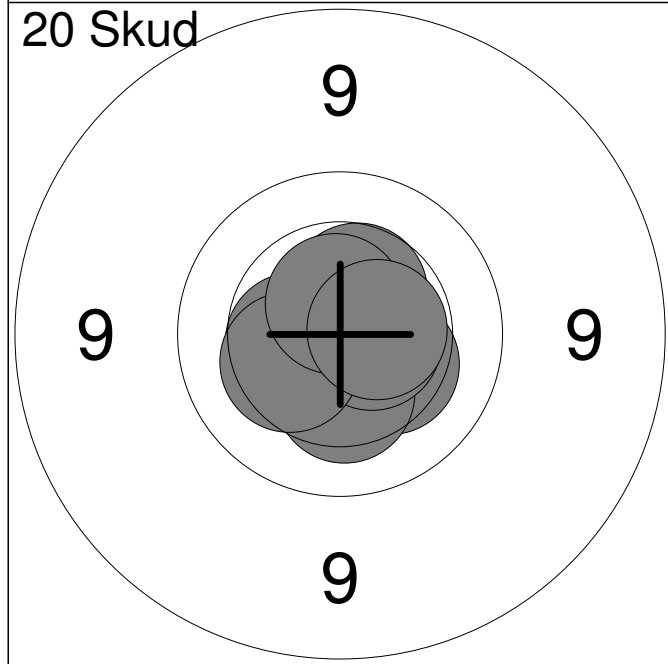


1: 10.5 ↙	6: 10.5 →	Serie	100.0
2: 10.4 ←	7: 10.0 ↗		
3: *10.8 →	8: 10.4 ↘	Total	100.0
4: *10.6 ↗	9: 10.4 ↗		
5: *10.7 ↗	10: 10.5 →		

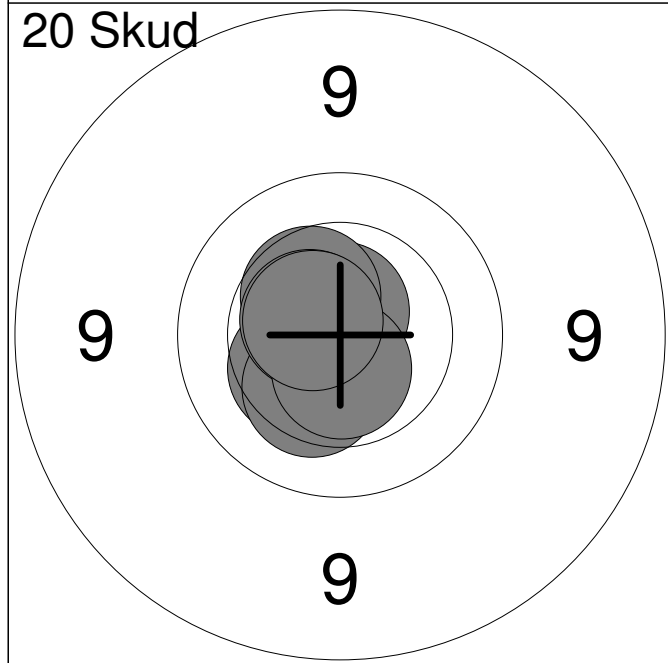
11: *10.8 ↙	16: 10.2 ↑	Serie	100.0
12: *10.7 ↗	17: *10.8 ↘		
13: *10.7 ↘	18: *10.6 →	Total	200.0
14: 10.5 →	19: 10.2 ←		
15: 10.5 ↗	20: 10.3 →		



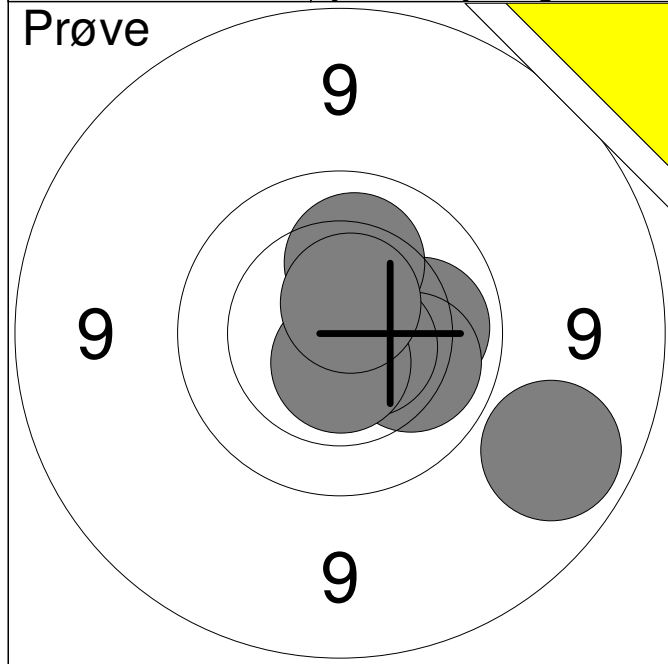
1:	10.3	→
2:	9.8	↗
3:	*10.7	↗
4:	*10.7	↗
5:	*10.6	↗
6:	*10.6	↘
Serie		59.0
Total		0.0



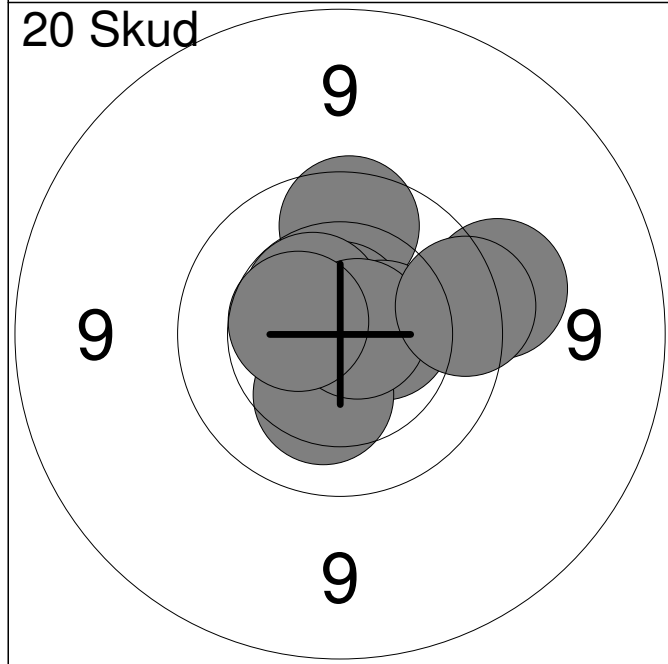
1:	*10.7	↙
2:	10.5	↗
3:	10.4	↘
4:	10.5	←
5:	10.3	↘
6:	10.3	↘
7:	*10.6	→
8:	10.3	↙
9:	*10.6	↑
10:	*10.6	→
Serie		100.0
Total		100.0



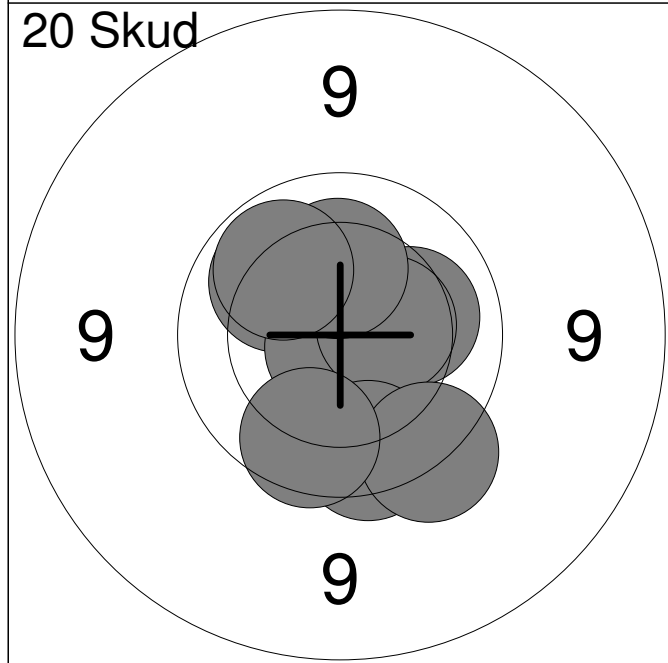
11:	*10.6	↖
12:	*10.7	↙
13:	*10.7	↙
14:	10.4	↙
15:	*10.7	↑
16:	10.3	↙
17:	10.4	↗
18:	*10.6	↗
19:	*10.6	↘
20:	*10.6	↖
Serie		100.0
Total		200.0



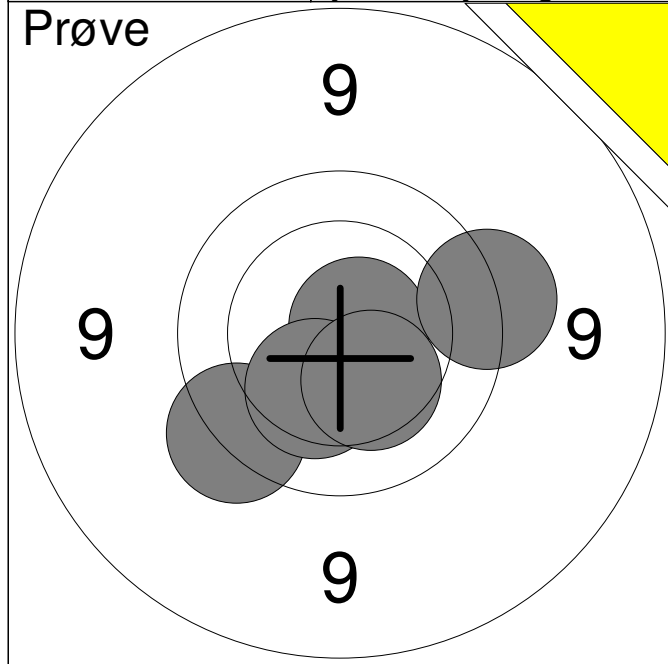
1:	9.0	→
2:	10.1	→
3:	10.2	↑
4:	10.1	→
5:	*10.6	→
6:	*10.6	↓
7:	*10.6	↑
Serie		69.0
Total		0.0



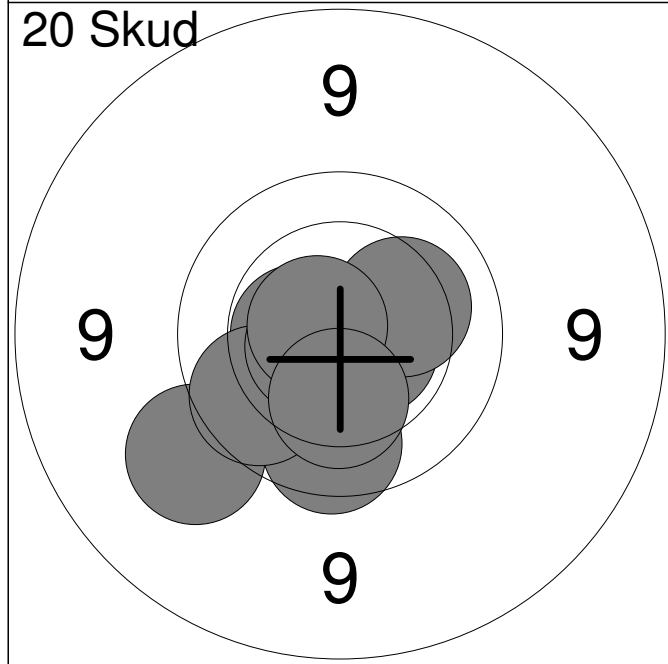
1:	*10.6	↖
2:	9.9	↑
3:	*10.7	↑
4:	*10.5	→
5:	9.5	→
6:	*10.5	↖
7:	10.3	↓
8:	*10.7	→
9:	9.7	→
10:	10.5	↖
Serie		97.0
Total		97.0



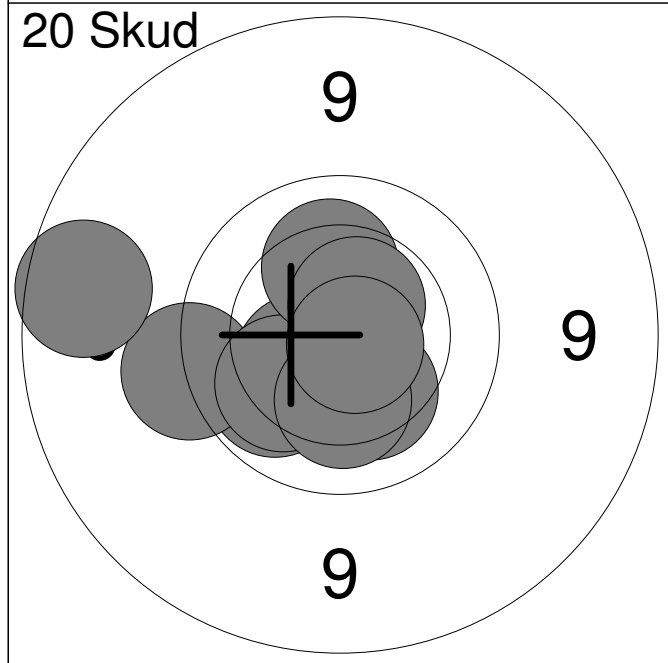
11:	10.2	→
12:	10.4	↓
13:	10.1	↖
14:	*10.8	↘
15:	10.4	→
16:	9.8	↓
17:	9.6	↘
18:	10.2	↑
19:	10.0	↖
20:	9.9	↓
Serie		97.0
Total		194.0



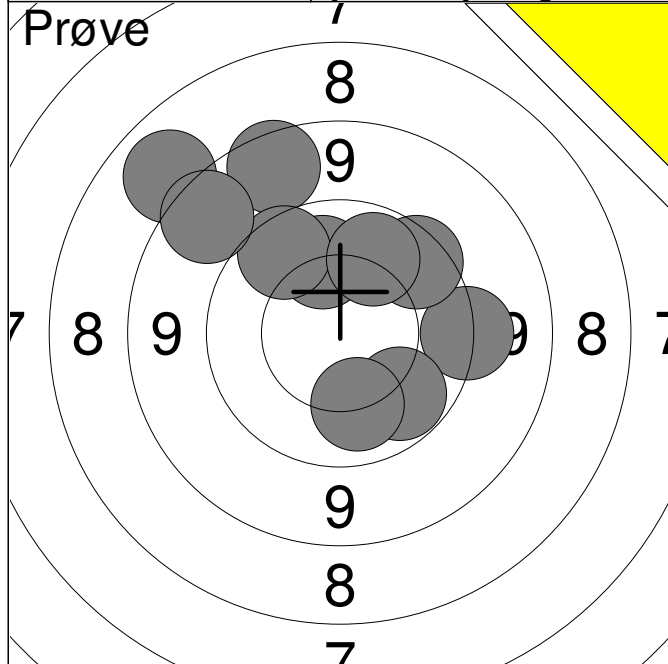
1:	9.6	↙
2:	*10.7	→
3:	10.3	↙
4:	10.3	↘
5:	9.6	→
Serie		48.0
Total		0.0



1:	*10.9	←
2:	*10.6	→
3:	9.4	↙
4:	*10.5	←
5:	9.8	↓
6:	9.9	↙
7:	*10.7	←
8:	10.2	→
9:	*10.7	←
10:	10.3	↓
Serie		97.0
Total		97.0



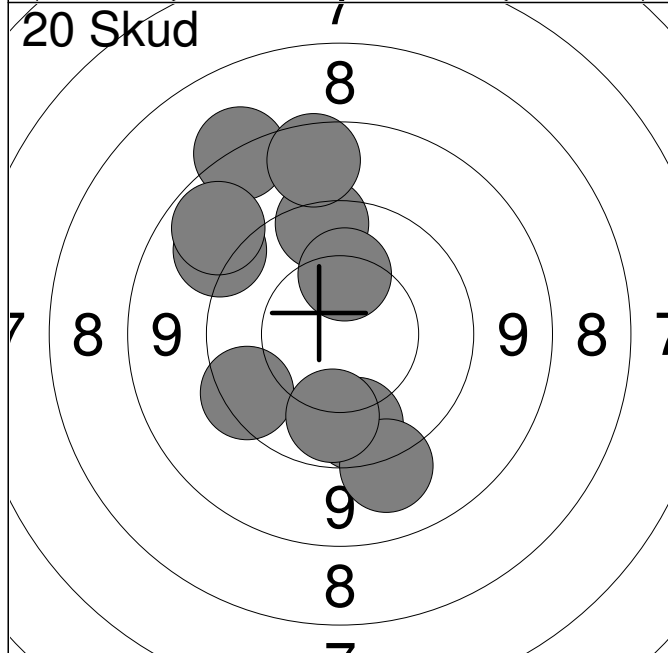
11:	10.4	↙
12:	10.0	↙
13:	10.2	↘
14:	9.5	←
15:	10.1	↙
16:	10.2	↑
17:	8.9	←
18:	10.2	↓
19:	*10.6	↗
20:	*10.7	↘
Serie		97.0
Total		194.0



1:	8.8	↑
2:	10.1	↑
3:	9.4	→
4:	8.1	↗
5:	9.8	↗
6:	9.7	↗
7:	8.8	↗
8:	10.0	↗
9:	10.0	↓
10:	10.1	↓

Serie	91.0
-------	------

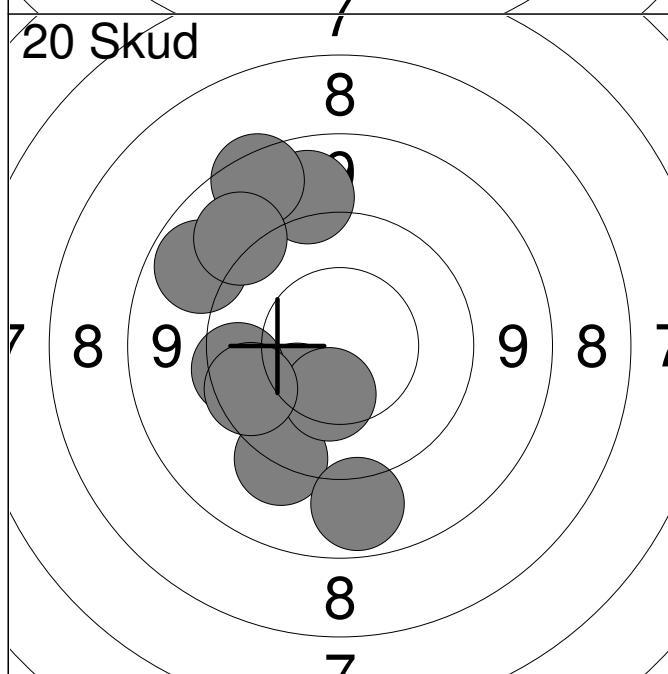
Total	0.0
-------	-----



1:	9.2	↗
2:	9.9	↓
3:	9.6	↑
4:	9.3	↓
5:	9.6	↖
6:	10.0	↓
7:	8.4	↗
8:	9.0	↗
9:	10.3	↑
10:	8.8	↑

Serie	90.0
-------	------

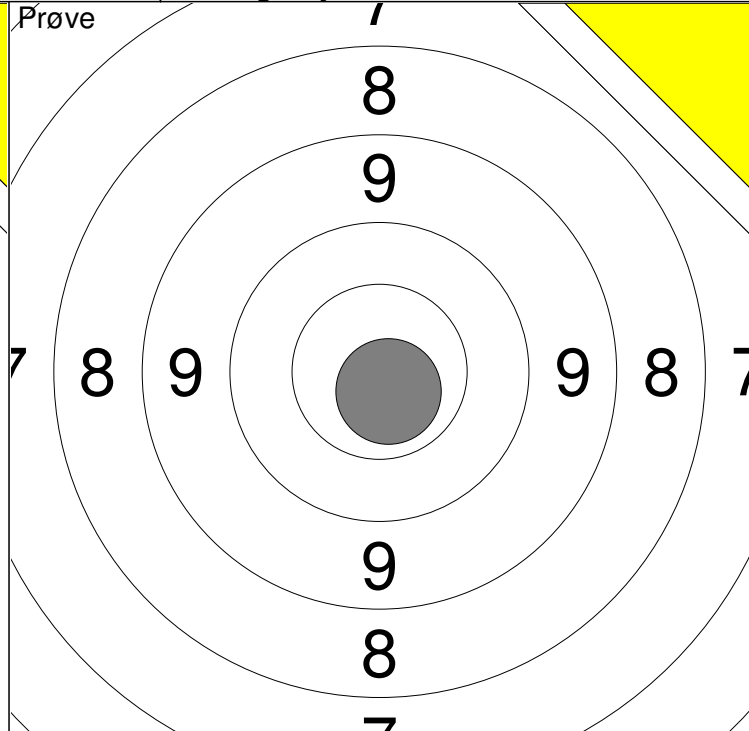
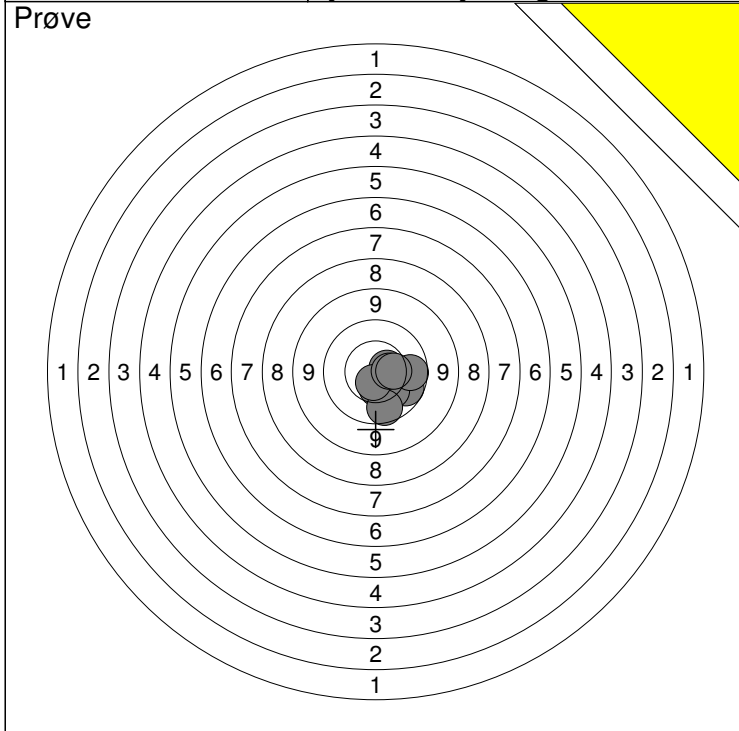
Total	90.0
-------	------



11:	9.1	↑
12:	8.7	↗
13:	9.0	↗
14:	10.2	↖
15:	9.4	↖
16:	9.7	↖
17:	10.4	↓
18:	9.8	↖
19:	9.0	↓
20:	9.2	↗

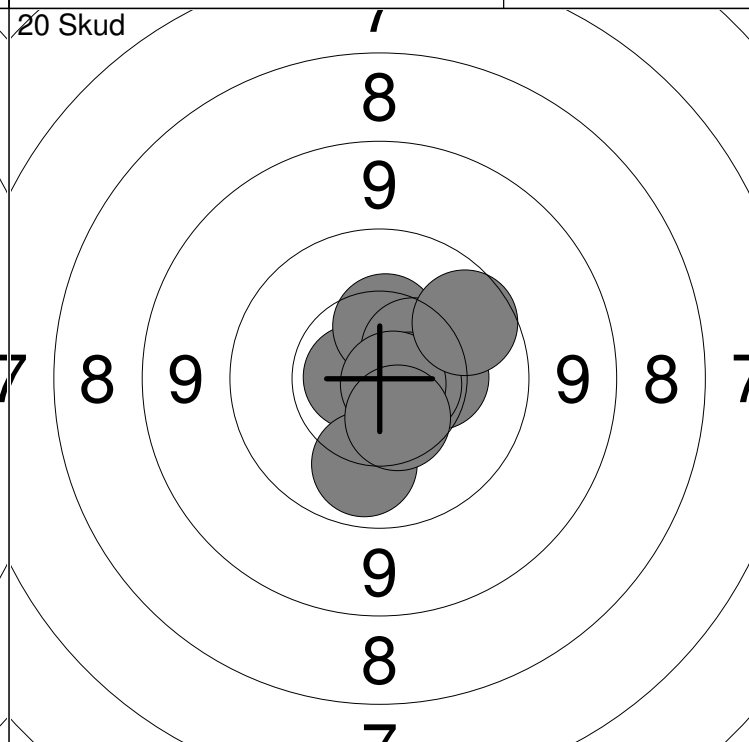
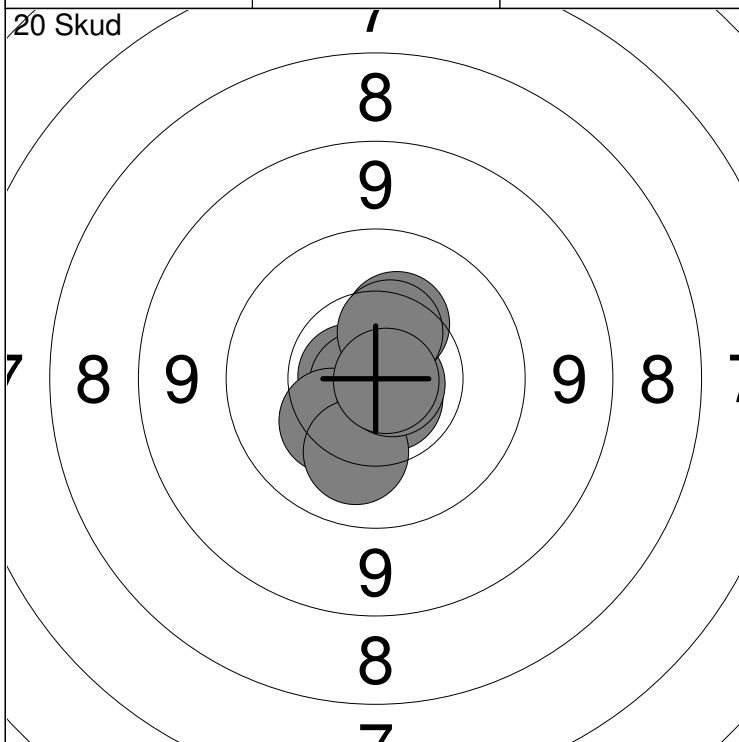
Serie	91.0
-------	------

Total	181.0
-------	-------



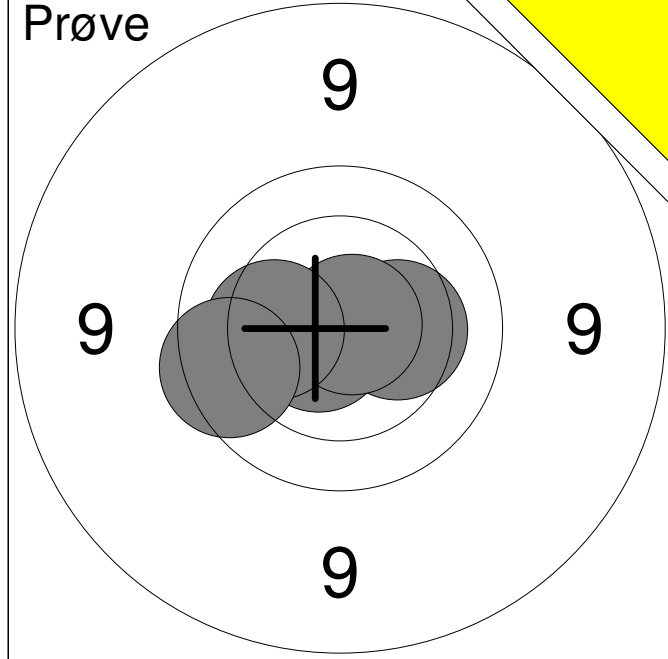
1: 10.4 ↓	6: *10.6 →	Serie	87.0
2: 0.0 ↓	7: 9.9 →		
3: 9.9 →	8: *10.6 ↓	Total	0.0
4: 10.2 ↓	9: 10.5 →		
5: 9.9 ↓	10: 10.4 →		

11: *10.7 ↓	Serie	10.0
	Total	0.0

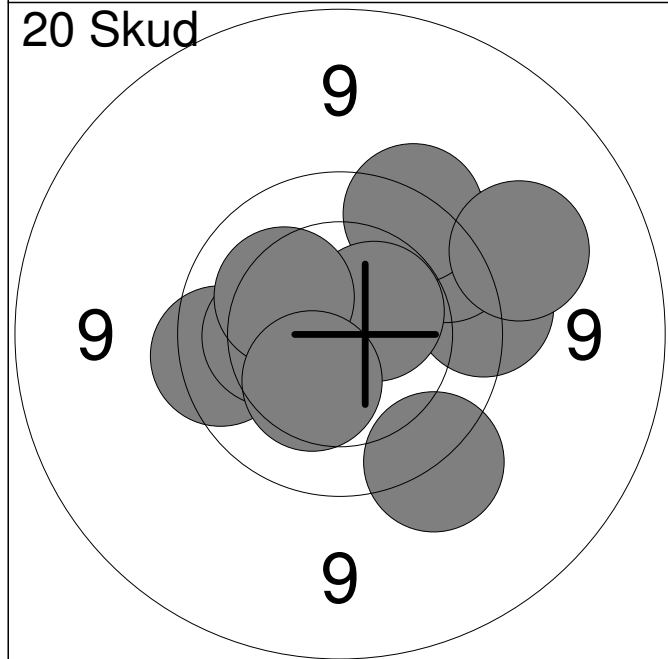


1: 10.5 ↓	6: 10.2 ↓	Serie	100.0
2: *10.7 ←	7: *10.8 →		
3: *10.8 ←	8: 10.3 ↑	Total	100.0
4: 10.3 ↓	9: 10.4 ↑		
5: *10.7 ↓	10: *10.8 →		

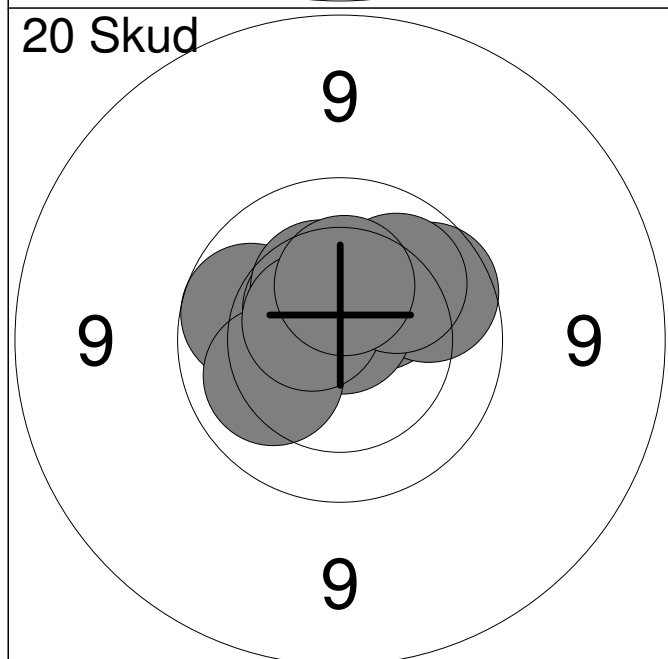
11: 10.4 →	16: 10.5 ↗	Serie	99.0
12: *10.8 ←	17: *10.6 →		
13: *10.7 ←	18: *10.8 →	Total	199.0
14: 10.4 ↑	19: 9.9 ↗		
15: 10.1 ↓	20: 10.5 ↓		



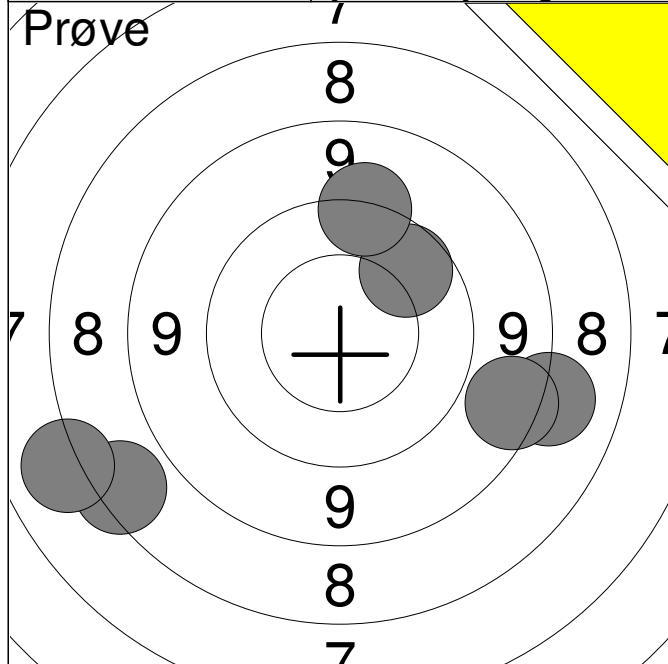
1:	10.3	→
2:	*10.7	↙
3:	*10.8	→
4:	10.2	←
5:	9.8	↙
Serie		49.0
Total		0.0



1:	9.6	→
2:	9.8	←
3:	10.2	←
4:	9.7	↗
5:	9.7	↗
6:	9.3	↗
7:	*10.5	↗
8:	10.2	↖
9:	10.4	↙
10:	9.5	↘
Serie		94.0
Total		94.0

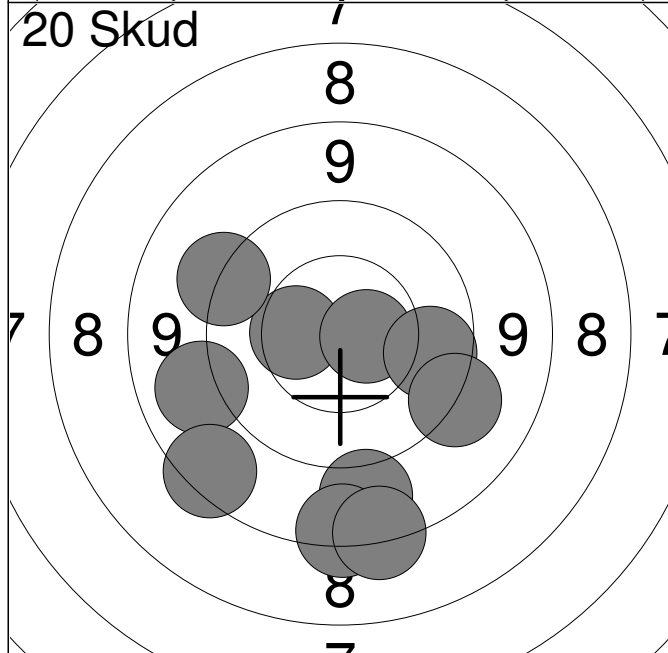


11:	10.4	↗
12:	9.9	↗
13:	9.9	←
14:	*10.5	↗
15:	*10.8	↑
16:	10.1	↙
17:	10.4	↑
18:	*10.6	↖
19:	10.1	↗
20:	10.4	↑
Serie		98.0
Total		192.0



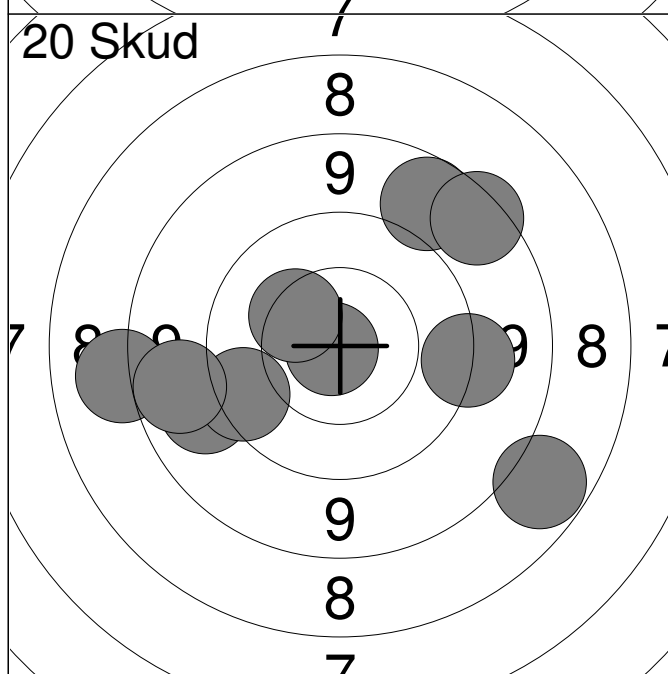
1:	7.6	↙
2:	9.9	↗
3:	8.3	→
4:	8.7	→
5:	7.2	↙
6:	9.4	↑

Serie	48.0
Total	0.0



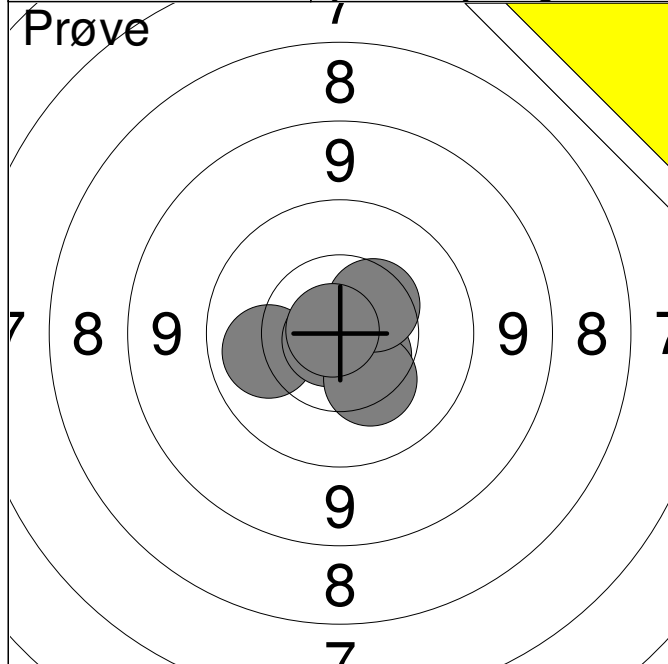
1:	10.4	←
2:	*10.6	→
3:	9.0	↓
4:	9.2	←
5:	8.6	↓
6:	9.4	↗
7:	8.7	↙
8:	9.9	→
9:	8.5	↓
10:	9.4	→

Serie	89.0
Total	89.0

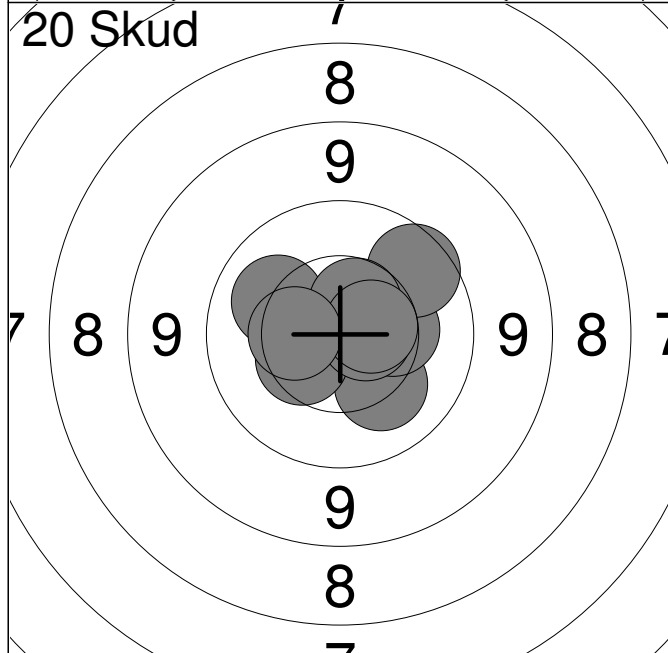


11:	8.3	←
12:	9.2	↙
13:	8.9	↗
14:	*10.8	←
15:	10.3	↗
16:	8.7	↗
17:	8.0	→
18:	9.7	←
19:	8.9	←
20:	9.4	→

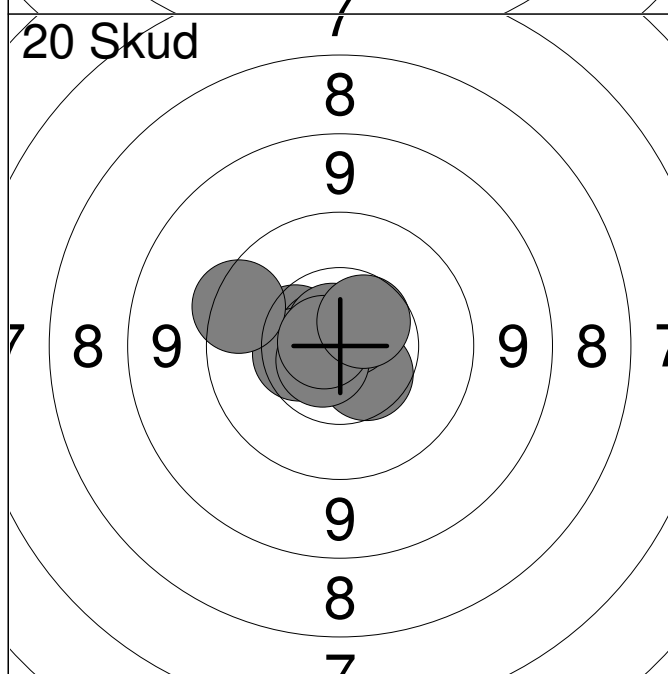
Serie	87.0
Total	176.0



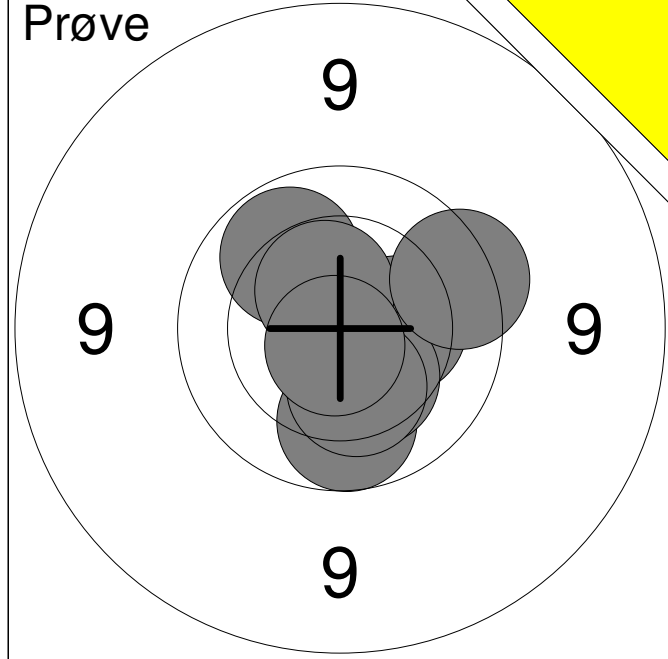
1:	10.6	↘
2:	10.1	←
3:	*10.8	↙
4:	10.3	↘
5:	10.4	↗
6:	*10.9	←
Serie		60.0
Total		0.0



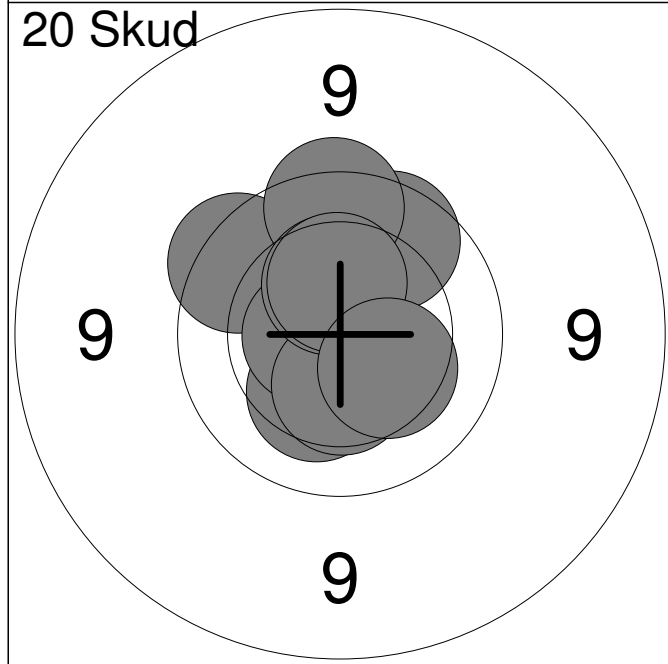
1:	10.1	↖
2:	*10.7	↗
3:	10.2	↘
4:	10.3	→
5:	10.4	↙
6:	9.8	↗
7:	10.6	↗
8:	*10.7	→
9:	10.6	→
10:	10.4	←
Serie		99.0
Total		99.0



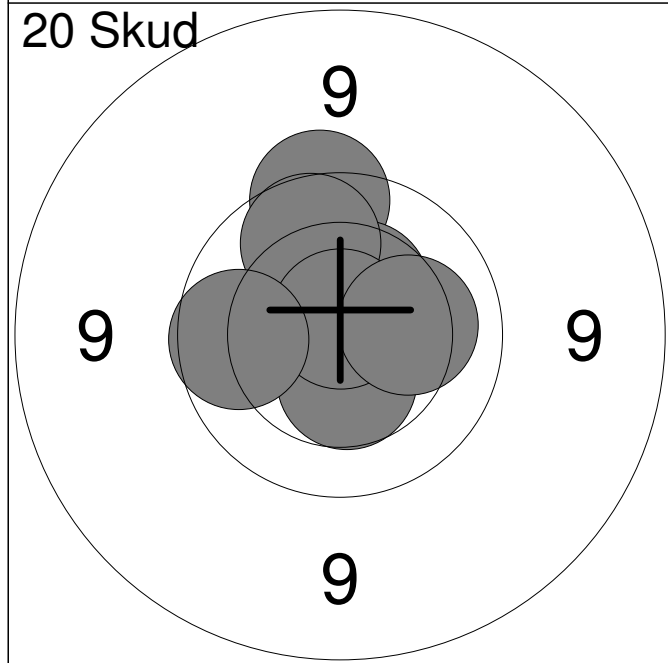
11:	10.4	←
12:	10.5	↘
13:	*10.7	↗
14:	*10.7	↗
15:	10.5	←
16:	9.7	↖
17:	*10.7	↗
18:	*10.7	↙
19:	*10.8	←
20:	10.6	↗
Serie		99.0
Total		198.0



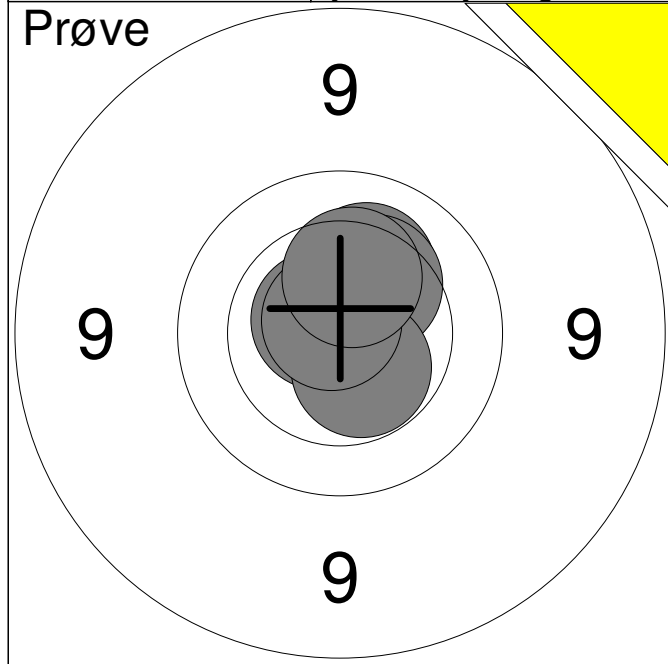
1:	10.3	→
2:	*10.8	→
3:	10.0	↗
4:	9.9	↓
5:	10.3	↘
6:	*10.5	↗
7:	10.3	↓
8:	9.7	→
9:	*10.8	↓
Serie		88.0
Total		0.0



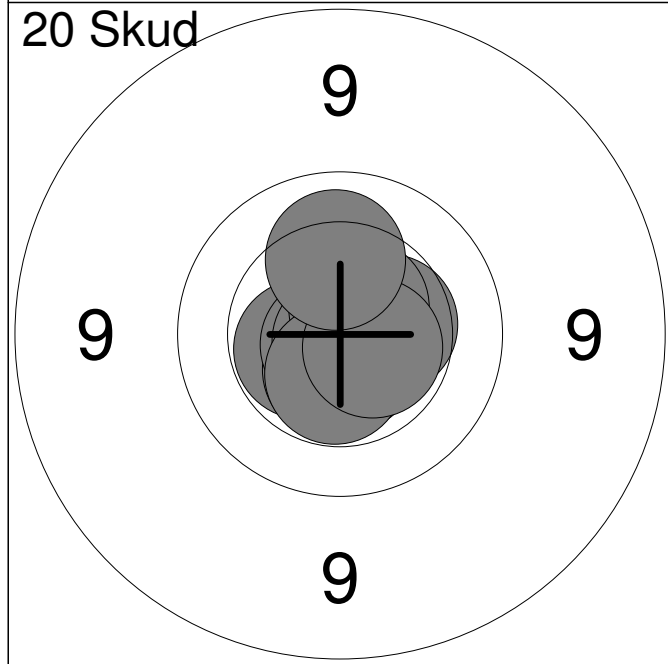
1:	9.8	↖
2:	9.9	↗
3:	10.3	↓
4:	*10.6	←
5:	10.5	↘
6:	9.7	↑
7:	10.4	↓
8:	10.4	↑
9:	10.4	↑
10:	10.3	↘
Serie		97.0
Total		97.0



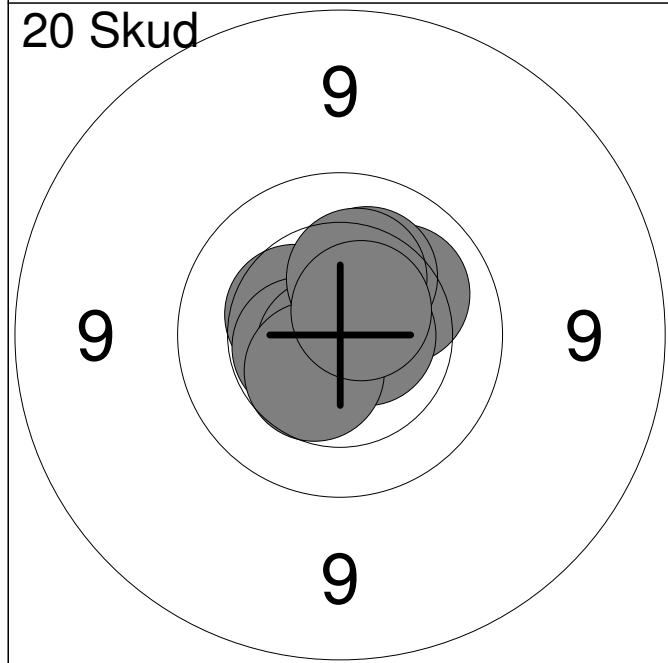
11:	*10.5	↖
12:	*10.9	↘
13:	10.4	→
14:	9.7	↑
15:	10.4	↗
16:	10.5	↓
17:	9.9	↑
18:	*10.8	↑
19:	9.9	←
20:	10.2	→
Serie		97.0
Total		194.0



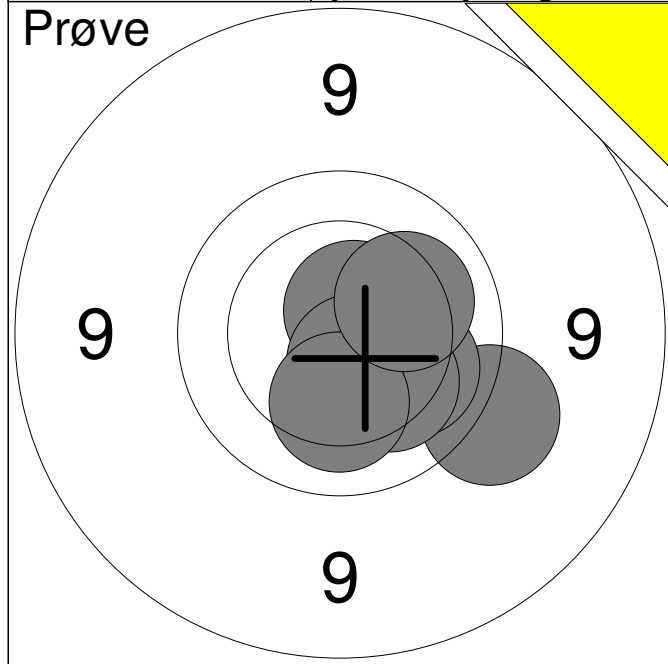
1:	10.2	↗
2:	10.3	↗
3:	*10.7	↖
4:	*10.5	↘
5:	*10.8	↗
6:	10.3	↗
Serie		60.0
Total		0.0



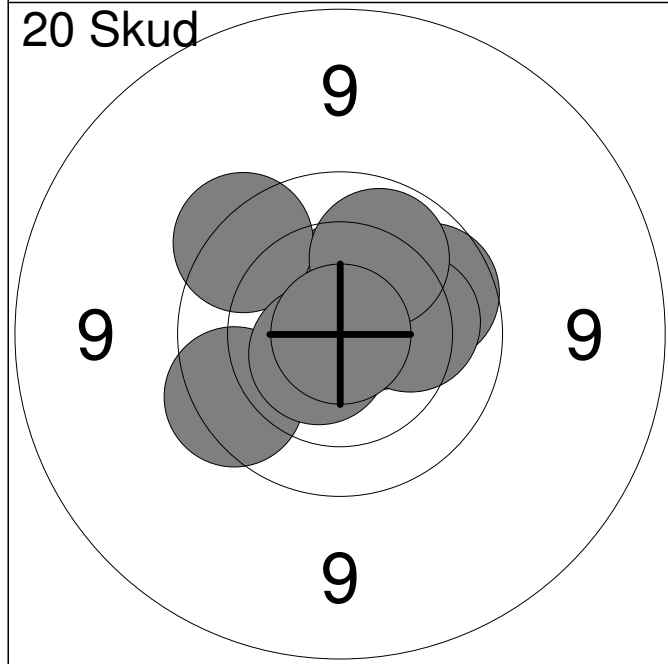
1:	*10.5	↖
2:	*10.6	↘
3:	*10.8	↖
4:	10.4	→
5:	*10.6	↘
6:	*10.9	↘
7:	*10.6	↗
8:	*10.5	↘
9:	*10.6	→
10:	10.1	↗
Serie		100.0
Total		100.0



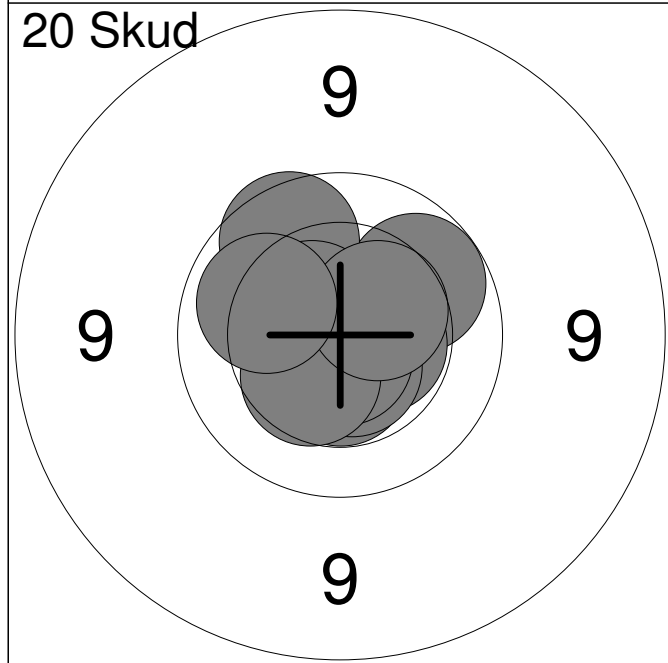
11:	10.4	↖
12:	*10.7	↗
13:	*10.5	↖
14:	*10.7	↖
15:	10.2	↗
16:	*10.7	→
17:	10.3	↗
18:	10.5	↖
19:	10.3	↗
20:	*10.6	↗
Serie		100.0
Total		200.0



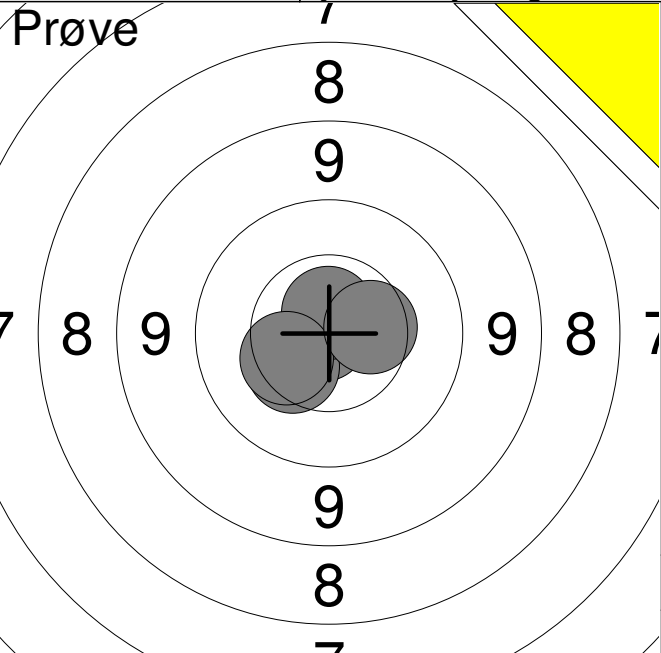
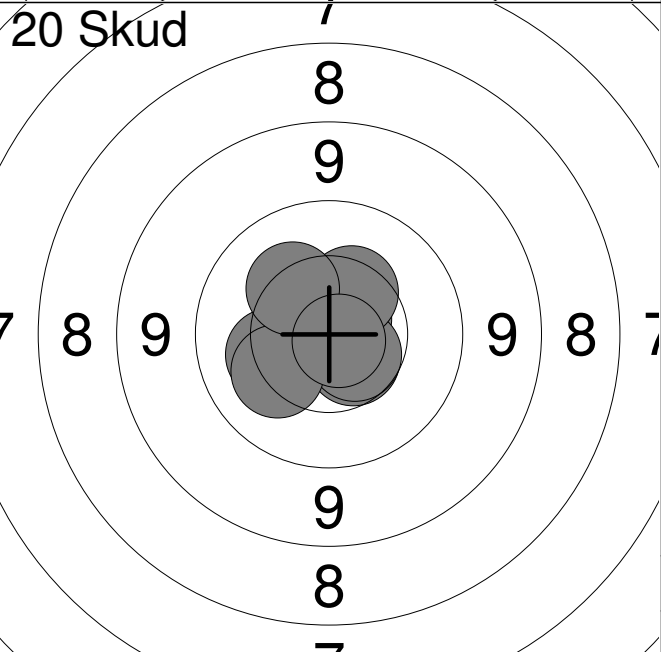
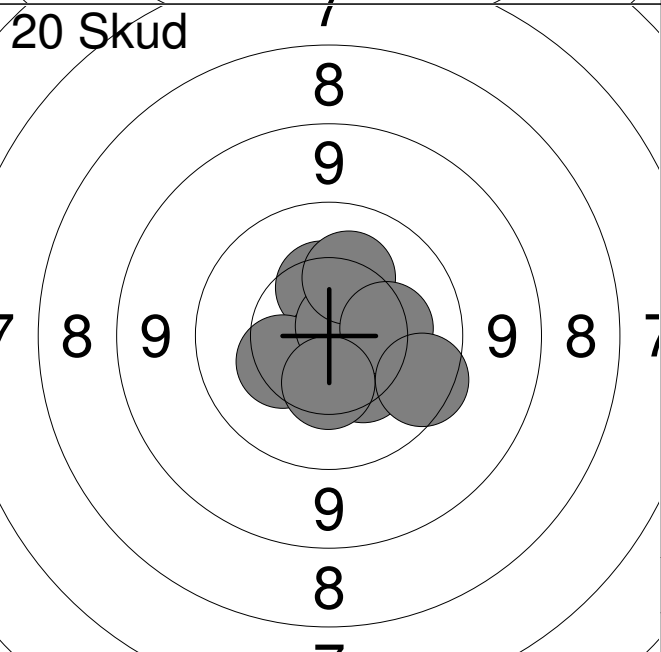
1:	9.5	↘
2:	*10.6	→
3:	*10.7	↗
4:	10.1	↘
5:	*10.6	↘
6:	10.2	↘
7:	10.2	↓
8:	10.2	↗
Serie		79.0
Total		0.0

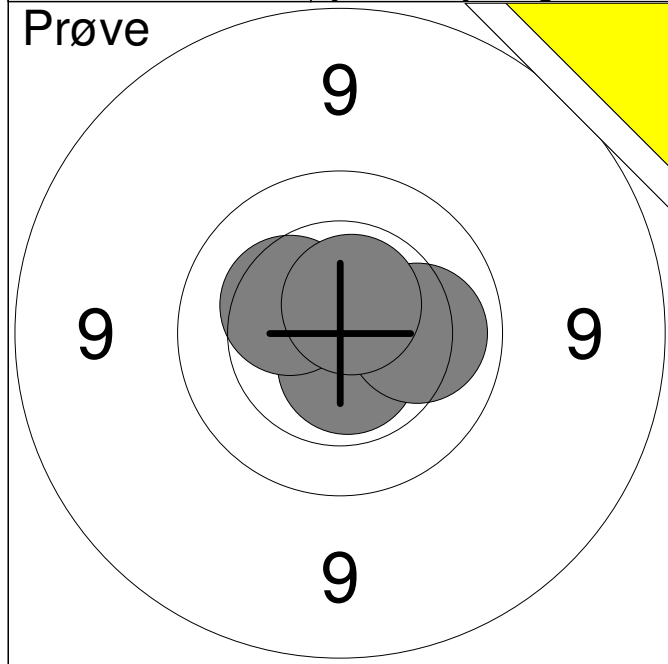


1:	9.8	↙
2:	10.4	↑
3:	*10.5	→
4:	*10.6	↑
5:	9.7	↖
6:	9.9	→
7:	*10.6	↙
8:	10.2	→
9:	10.0	↑
10:	*10.9	→
Serie		97.0
Total		97.0

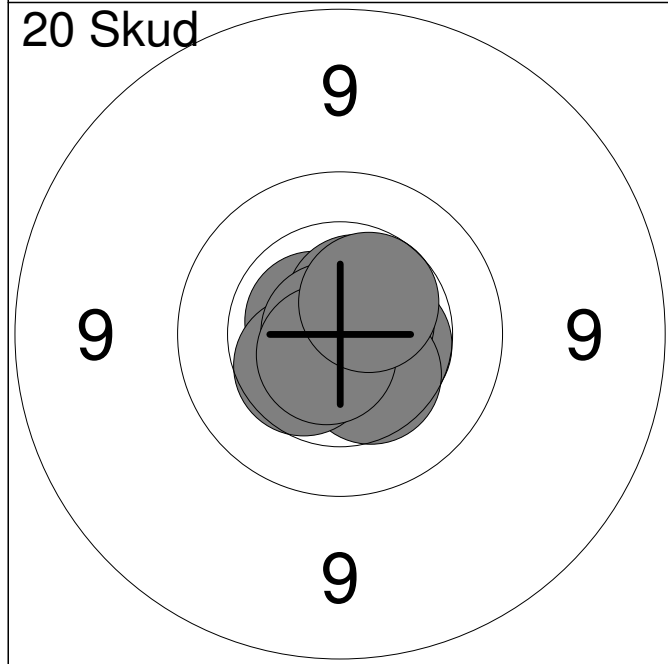


11:	*10.5	↓
12:	10.0	↗
13:	9.9	↗
14:	*10.6	↗
15:	*10.5	→
16:	*10.6	↘
17:	*10.7	↘
18:	10.4	↙
19:	10.5	↗
20:	10.1	↖
Serie		99.0
Total		196.0

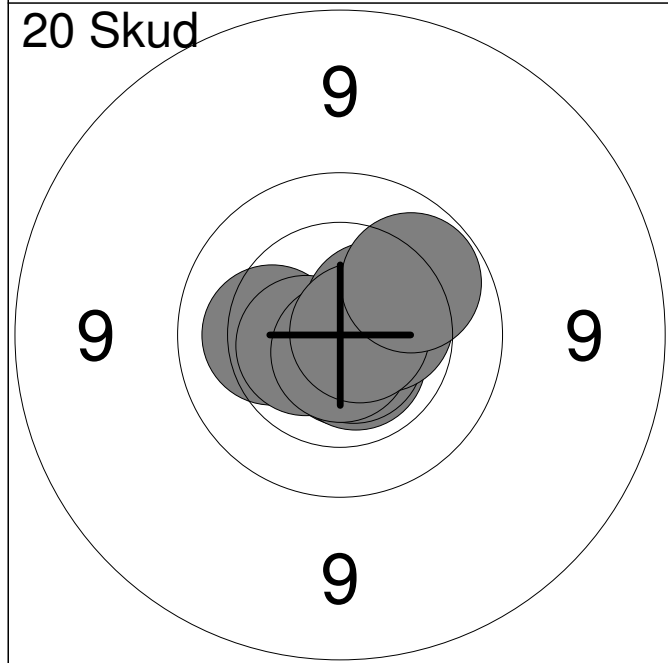
	Jyllandsskydning	Aalborg Skyttekreds																														
<div style="display: flex; justify-content: space-between;"> Prøve 7 </div> 	<table style="width:100%; border-collapse: collapse;"> <tr><td style="width:10%;">1:</td><td style="width:15%;">*10.9</td><td style="width:10%; text-align: right;">←</td></tr> <tr><td>2:</td><td>10.4</td><td style="text-align: right;">↙</td></tr> <tr><td>3:</td><td>*10.7</td><td style="text-align: right;">↑</td></tr> <tr><td>4:</td><td>10.4</td><td style="text-align: right;">↙</td></tr> <tr><td>5:</td><td>10.5</td><td style="text-align: right;">→</td></tr> </table>	1:	*10.9	←	2:	10.4	↙	3:	*10.7	↑	4:	10.4	↙	5:	10.5	→																
1:	*10.9	←																														
2:	10.4	↙																														
3:	*10.7	↑																														
4:	10.4	↙																														
5:	10.5	→																														
	Serie	50.0																														
	Total	0.0																														
<div style="display: flex; justify-content: space-between;"> 20 Skud 7 </div> 	<table style="width:100%; border-collapse: collapse;"> <tr><td style="width:10%;">1:</td><td style="width:15%;">*10.7</td><td style="width:10%; text-align: right;">↗</td></tr> <tr><td>2:</td><td>10.5</td><td style="text-align: right;">↘</td></tr> <tr><td>3:</td><td>10.3</td><td style="text-align: right;">←</td></tr> <tr><td>4:</td><td>*10.8</td><td style="text-align: right;">↗</td></tr> <tr><td>5:</td><td>10.6</td><td style="text-align: right;">↘</td></tr> <tr><td>6:</td><td>10.6</td><td style="text-align: right;">↗</td></tr> <tr><td>7:</td><td>10.2</td><td style="text-align: right;">↙</td></tr> <tr><td>8:</td><td>10.4</td><td style="text-align: right;">↗</td></tr> <tr><td>9:</td><td>10.3</td><td style="text-align: right;">↗</td></tr> <tr><td>10:</td><td>*10.8</td><td style="text-align: right;">↘</td></tr> </table>	1:	*10.7	↗	2:	10.5	↘	3:	10.3	←	4:	*10.8	↗	5:	10.6	↘	6:	10.6	↗	7:	10.2	↙	8:	10.4	↗	9:	10.3	↗	10:	*10.8	↘	
1:	*10.7	↗																														
2:	10.5	↘																														
3:	10.3	←																														
4:	*10.8	↗																														
5:	10.6	↘																														
6:	10.6	↗																														
7:	10.2	↙																														
8:	10.4	↗																														
9:	10.3	↗																														
10:	*10.8	↘																														
	Serie	100.0																														
	Total	100.0																														
<div style="display: flex; justify-content: space-between;"> 20 Skud 7 </div> 	<table style="width:100%; border-collapse: collapse;"> <tr><td style="width:10%;">11:</td><td style="width:15%;">10.4</td><td style="width:10%; text-align: right;">↑</td></tr> <tr><td>12:</td><td>*10.8</td><td style="text-align: right;">↘</td></tr> <tr><td>13:</td><td>*10.8</td><td style="text-align: right;">↘</td></tr> <tr><td>14:</td><td>10.3</td><td style="text-align: right;">↘</td></tr> <tr><td>15:</td><td>10.3</td><td style="text-align: right;">↙</td></tr> <tr><td>16:</td><td>*10.8</td><td style="text-align: right;">↗</td></tr> <tr><td>17:</td><td>10.2</td><td style="text-align: right;">↑</td></tr> <tr><td>18:</td><td>10.3</td><td style="text-align: right;">→</td></tr> <tr><td>19:</td><td>10.4</td><td style="text-align: right;">↘</td></tr> <tr><td>20:</td><td>9.7</td><td style="text-align: right;">↘</td></tr> </table>	11:	10.4	↑	12:	*10.8	↘	13:	*10.8	↘	14:	10.3	↘	15:	10.3	↙	16:	*10.8	↗	17:	10.2	↑	18:	10.3	→	19:	10.4	↘	20:	9.7	↘	
11:	10.4	↑																														
12:	*10.8	↘																														
13:	*10.8	↘																														
14:	10.3	↘																														
15:	10.3	↙																														
16:	*10.8	↗																														
17:	10.2	↑																														
18:	10.3	→																														
19:	10.4	↘																														
20:	9.7	↘																														
	Serie	99.0																														
	Total	199.0																														



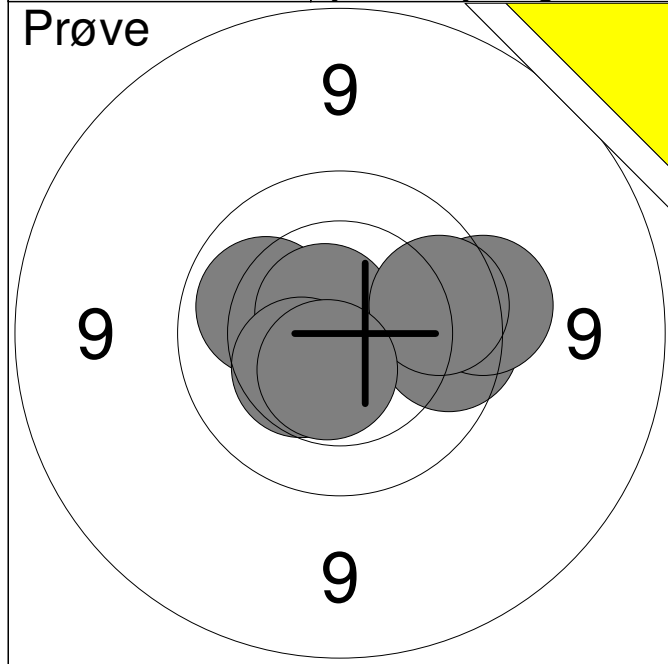
1:	*10.8	↘
2:	*10.6	↓
3:	10.3	↗
4:	10.1	→
5:	*10.6	↗
Serie		50.0
Total		0.0



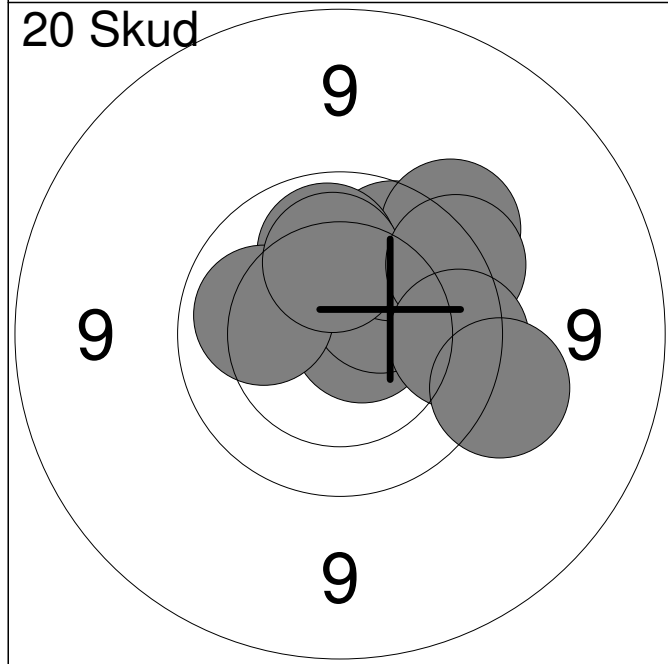
1:	*10.7	↖
2:	*10.6	↖
3:	10.5	→
4:	*10.7	↗
5:	10.4	↓
6:	10.4	↙
7:	*10.6	↗
8:	*10.9	←
9:	*10.7	↙
10:	10.5	↗
Serie		100.0
Total		100.0



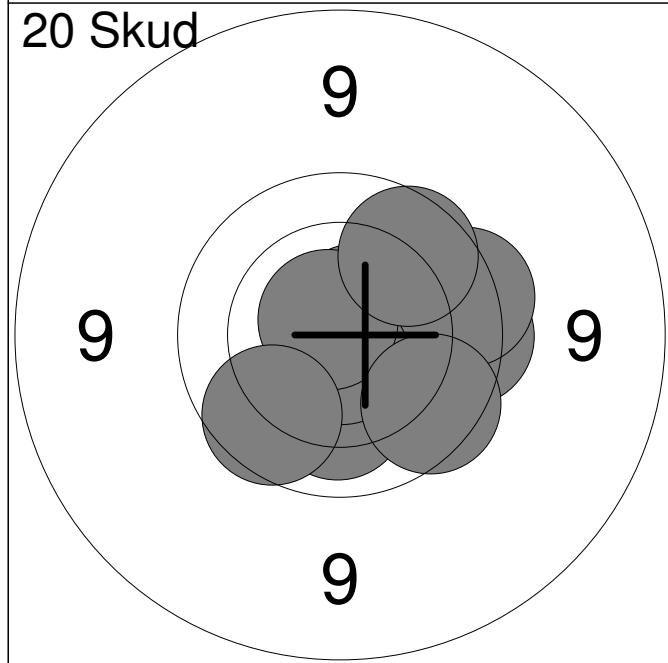
11:	*10.7	↓
12:	10.2	←
13:	*10.6	↓
14:	*10.7	↓
15:	*10.6	←
16:	*10.8	↓
17:	*10.5	↗
18:	10.5	→
19:	*10.7	→
20:	10.0	↗
Serie		100.0
Total		200.0



1:	10.1	↖
2:	*10.7	↗
3:	9.8	→
4:	9.6	→
5:	9.9	→
6:	10.4	↙
7:	*10.5	↘
Serie		67.0
Total		0.0

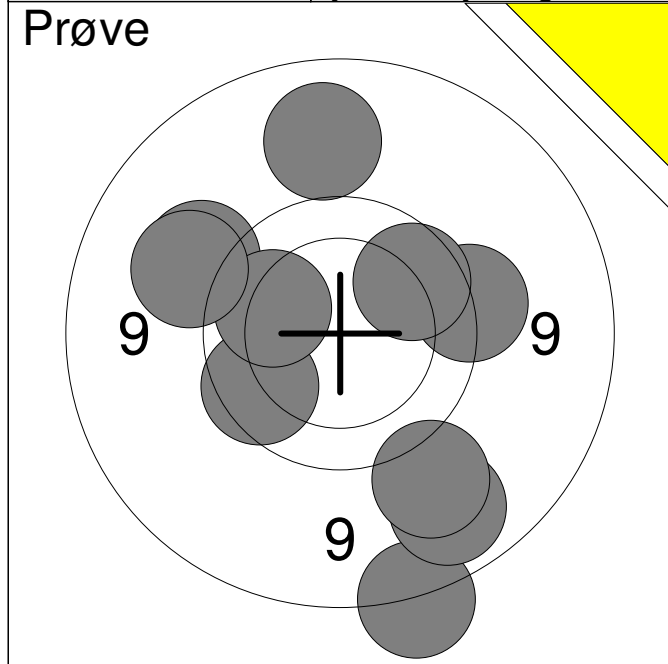


1:	*10.7	→
2:	10.4	↗
3:	9.9	↗
4:	9.6	↗
5:	10.1	↑
6:	10.1	↖
7:	10.2	↑
8:	9.7	↗
9:	9.8	→
10:	9.5	→
Serie		95.0
Total		95.0

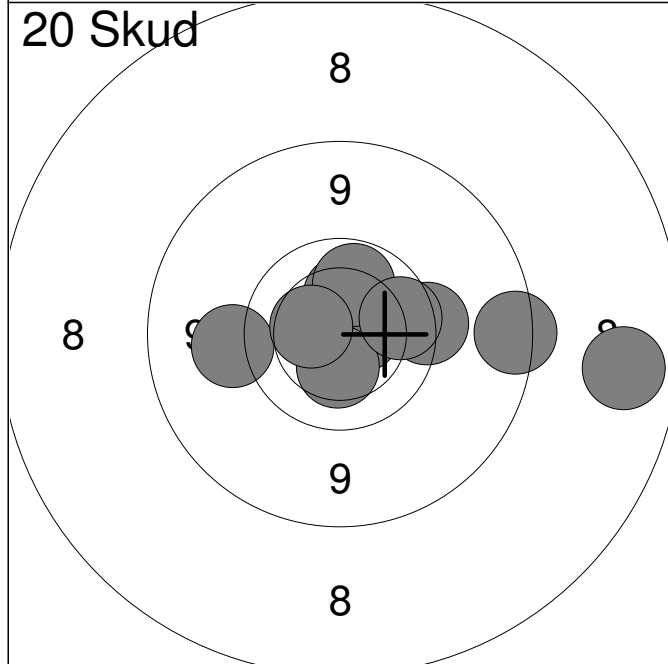


11:	10.4	↓
12:	10.1	↓
13:	9.8	→
14:	*10.7	↗
15:	*10.7	↓
16:	9.7	→
17:	*10.7	↗
18:	9.9	↙
19:	9.8	↘
20:	9.9	↗
Serie		95.0
Total		190.0

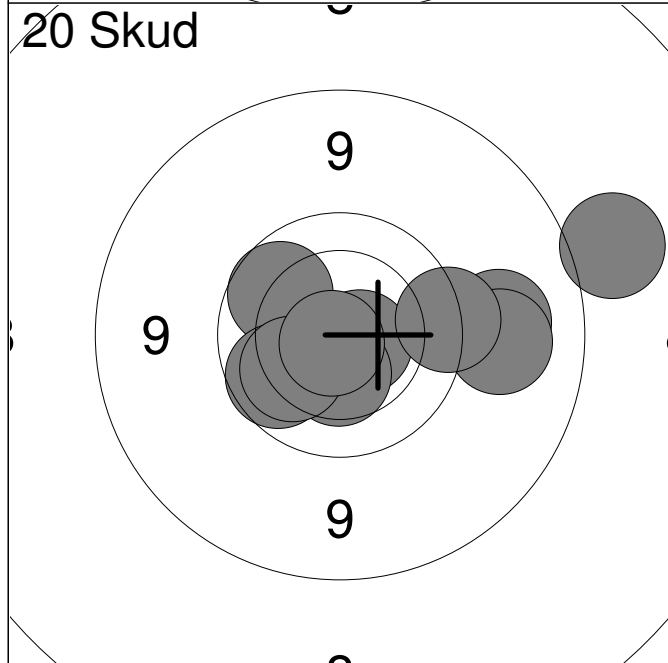
	Jyllandsskydning	Aalborg Skyttekreds	
Prøve	7	1: 10.3	↑
	8	2: *10.6	↑
	9	3: *10.7	→
	9	4: *10.7	↓
	8		
7		Serie	40.0
7		Total	0.0
20 Skud	7	1: 10.4	←
	8	2: 10.4	↖
	9	3: 10.5	↙
	9	4: 9.2	←
	8	5: 10.2	↑
	7	6: 9.9	↗
	9	7: 10.3	↑
	8	8: *10.7	→
	7	9: 10.1	→
	7	10: 10.0	↗
	7		Serie
7		Total	98.0
20 Skud	7	11: 9.9	↗
	8	12: 10.1	↖
	9	13: *10.6	←
	9	14: 9.5	↗
	8	15: 9.8	→
	7	16: 10.3	↗
	9	17: 9.6	→
	8	18: 10.1	→
	7	19: 10.2	↗
	7	20: 10.5	↖
	7		Serie
7		Total	194.0



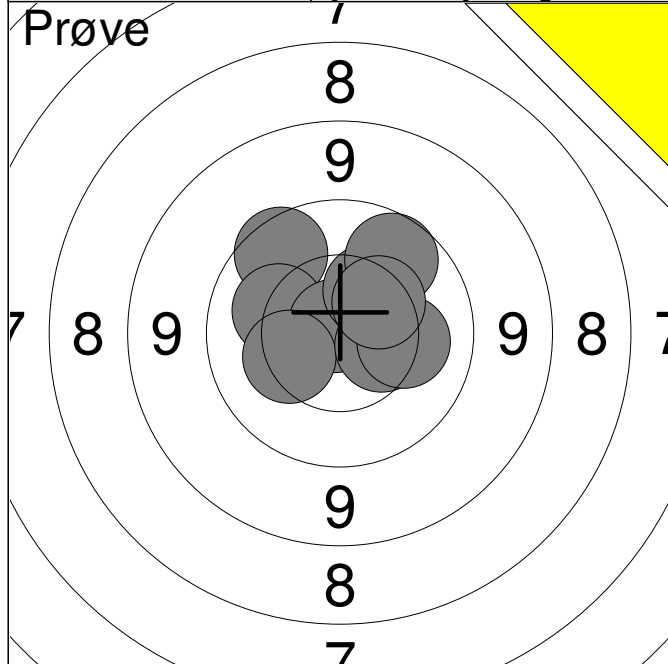
1:	8.7	↘
2:	9.0	↘
3:	9.3	↘
4:	9.8	↙
5:	9.4	↗
6:	9.1	↑
7:	10.0	↖
8:	9.6	→
9:	9.3	↗
10:	9.9	↗
Serie		90.0
Total		0.0



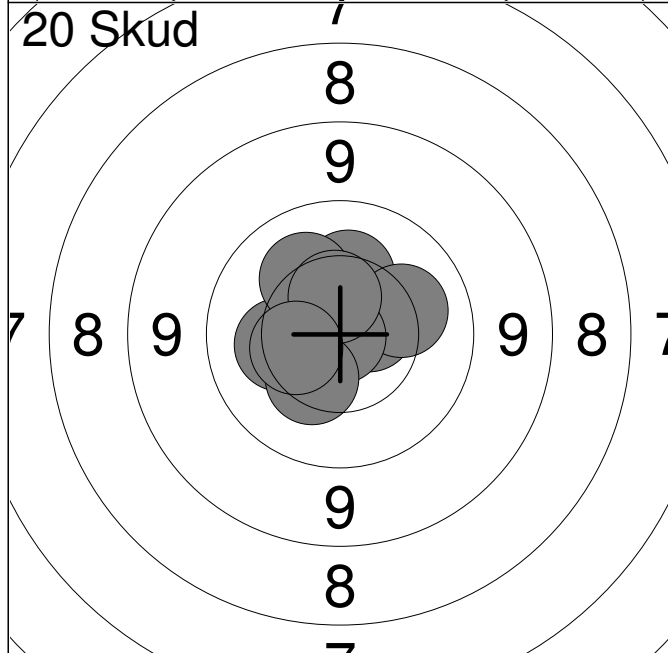
1:	8.8	→
2:	8.0	→
3:	*10.6	→
4:	10.3	↑
5:	10.0	↑
6:	9.4	←
7:	9.6	→
8:	10.4	↓
9:	10.4	←
10:	9.9	→
Serie		93.0
Total		93.0



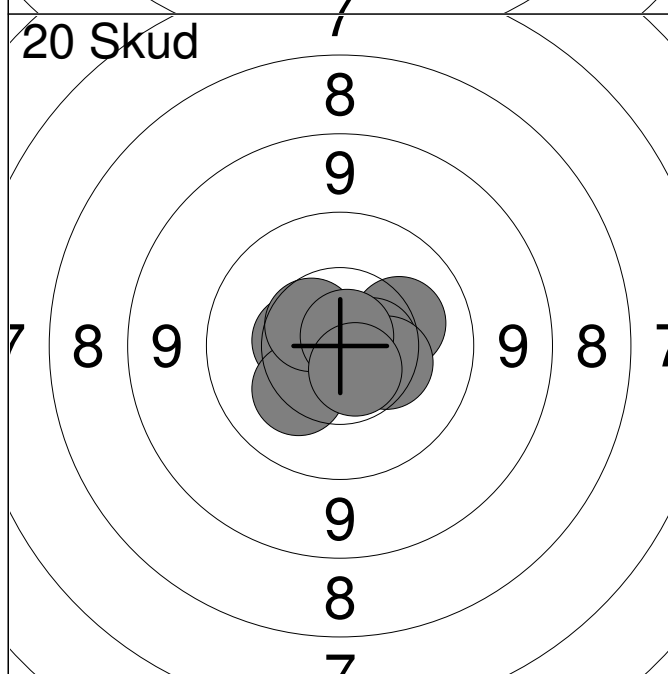
11:	9.9	↖
12:	9.2	→
13:	*10.6	→
14:	10.4	↓
15:	8.4	→
16:	9.2	→
17:	9.9	↙
18:	10.1	↙
19:	*10.8	↙
20:	9.6	→
Serie		93.0
Total		186.0



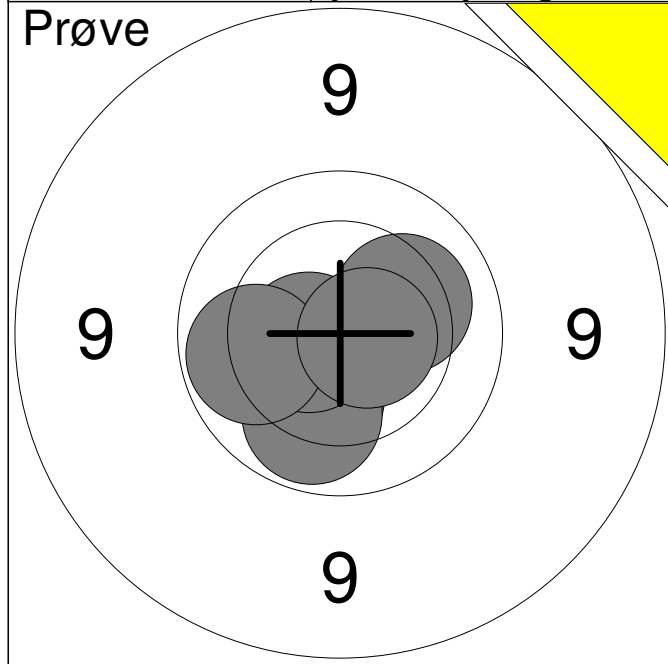
1:	10.4	←
2:	9.8	↗
3:	10.2	↖
4:	*10.8	↗
5:	10.3	←
6:	10.4	→
7:	10.3	↗
8:	9.9	↗
9:	10.2	→
10:	10.4	↗
Serie		98.0
Total		0.0



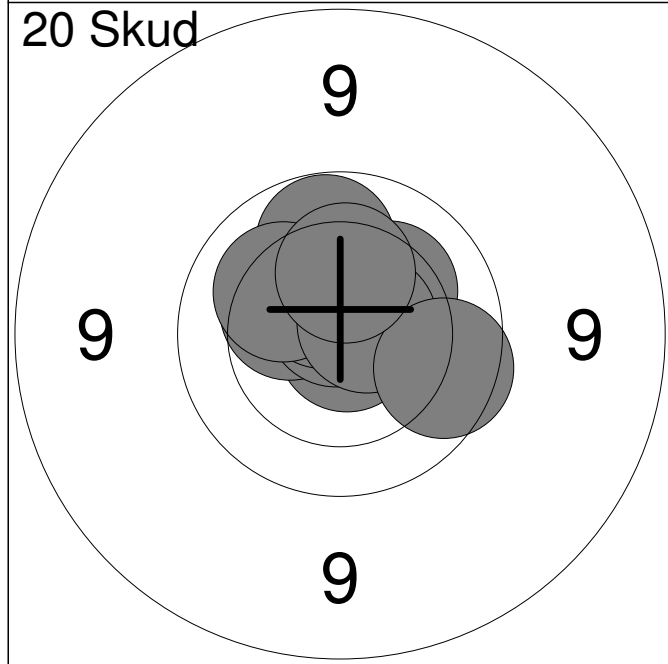
1:	*10.8	↑
2:	*10.6	→
3:	10.3	←
4:	10.3	↑
5:	10.2	→
6:	*10.9	↘
7:	10.2	↖
8:	10.5	↑
9:	10.4	↘
10:	10.4	←
Serie		100.0
Total		100.0



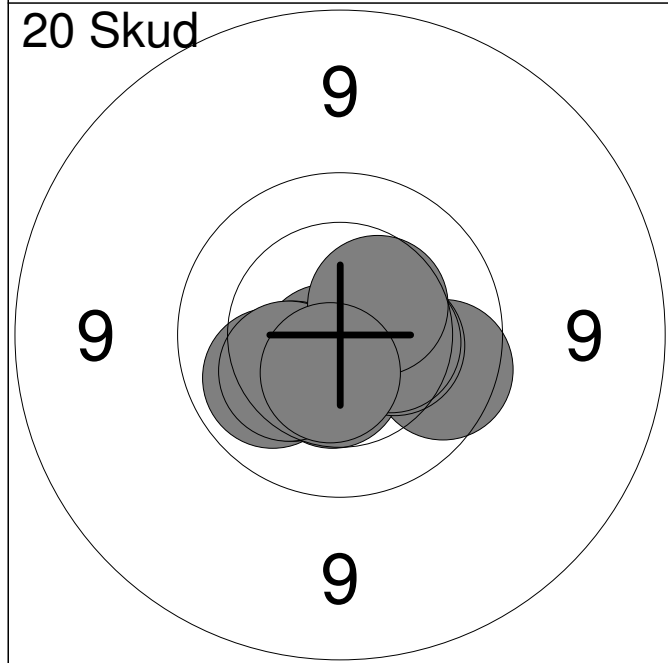
11:	10.2	→
12:	10.5	←
13:	*10.6	→
14:	10.4	→
15:	*10.8	↗
16:	*10.8	←
17:	10.3	↘
18:	10.5	↗
19:	*10.8	↗
20:	*10.6	↘
Serie		100.0
Total		200.0



1:	10.2	↘
2:	10.0	↘
3:	10.2	→
4:	*10.6	←
5:	10.0	←
6:	*10.7	→
Serie		60.0
Total		0.0



1:	10.3	↗
2:	*10.8	↘
3:	10.4	↖
4:	10.0	↑
5:	*10.8	↑
6:	*10.5	↗
7:	10.2	↗
8:	*10.6	→
9:	9.9	→
10:	10.3	↑
Serie		99.0
Total		99.0



11:	10.1	←
12:	*10.7	↘
13:	9.9	→
14:	10.3	↖
15:	10.5	↘
16:	10.3	→
17:	10.3	↖
18:	10.4	→
19:	10.4	↗
20:	*10.5	↘
Serie		99.0
Total		198.0

Prøve

1:	8.3	↓
2:	8.4	↓
3:	9.8	↓
4:	9.9	↙
5:	9.8	↙
6:	9.8	↓
7:	10.3	↙
8:	10.1	↑
9:	10.1	↗
10:	9.7	↙

Serie	91.0
Total	0.0

Prøve

11:	*10.8	↘
12:	9.9	↑
13:	9.8	↗
14:	10.4	→
15:	9.4	↑
16:	9.6	↑
17:	10.2	→
18:	9.7	↑
19:	10.3	↑
20:	9.2	→

Serie	94.0
Total	0.0

Prøve

21:	10.2	↖
-----	------	---

Serie	10.0
Total	0.0

20 Skud

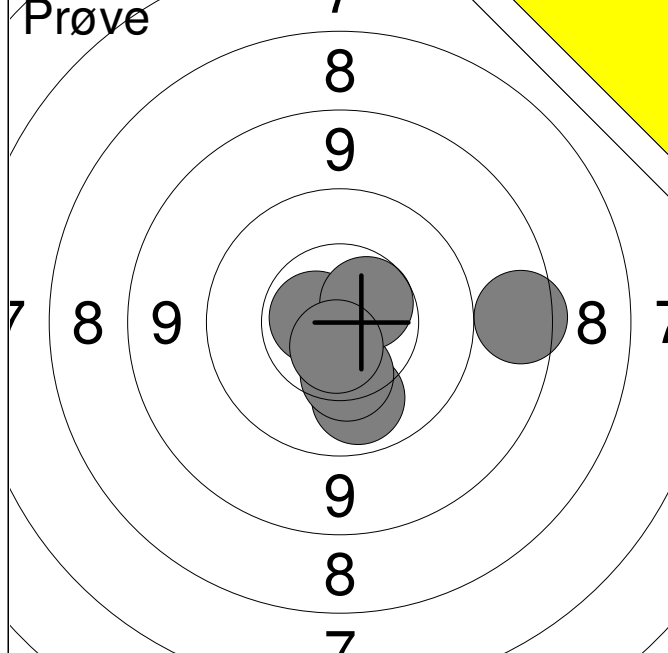
1:	9.6	↗
2:	9.9	↑
3:	10.2	↖
4:	9.6	↖
5:	10.3	↗
6:	10.4	↓
7:	*10.7	↖
8:	9.6	↑
9:	10.4	↙
10:	*10.7	↓

Serie	96.0
Total	96.0

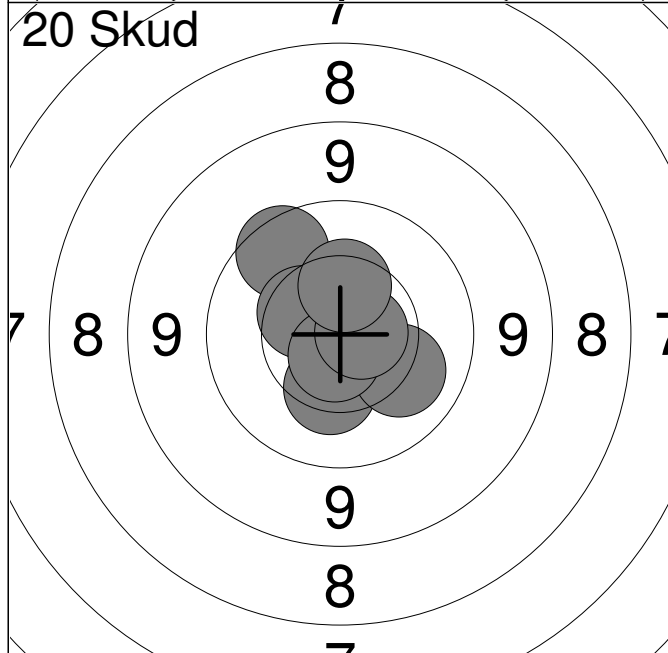
20 Skud

11:	10.2	↓
12:	9.8	↗
13:	10.2	↓
14:	10.3	↙
15:	*10.7	↘
16:	10.5	↗
17:	10.4	↑
18:	10.1	↑
19:	10.0	↙
20:	*10.9	↓

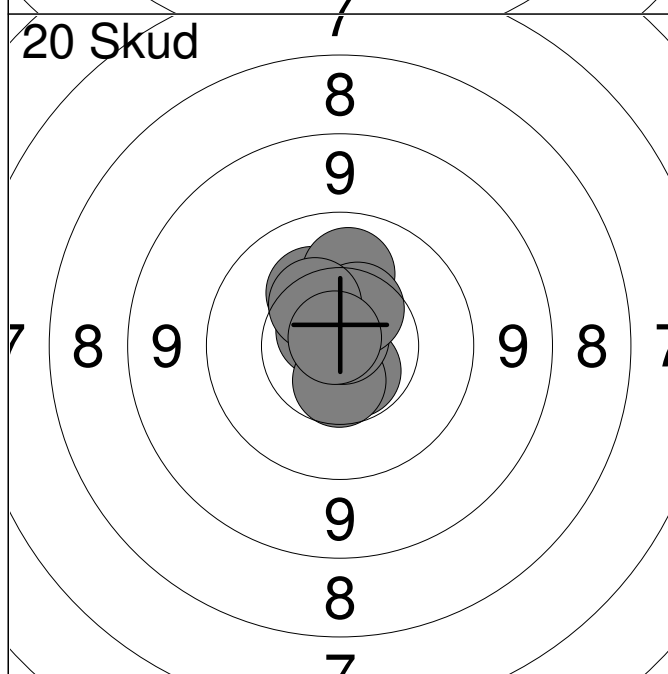
Serie	99.0
Total	195.0



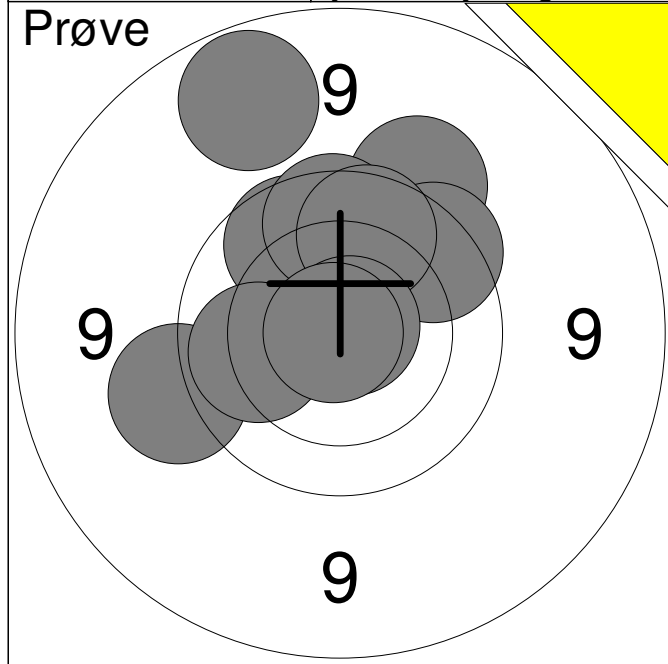
1:	8.7	→
2:	*10.7	←
3:	10.1	↓
4:	10.3	↓
5:	10.6	↗
6:	*10.7	↓
Serie		58.0
Total		0.0



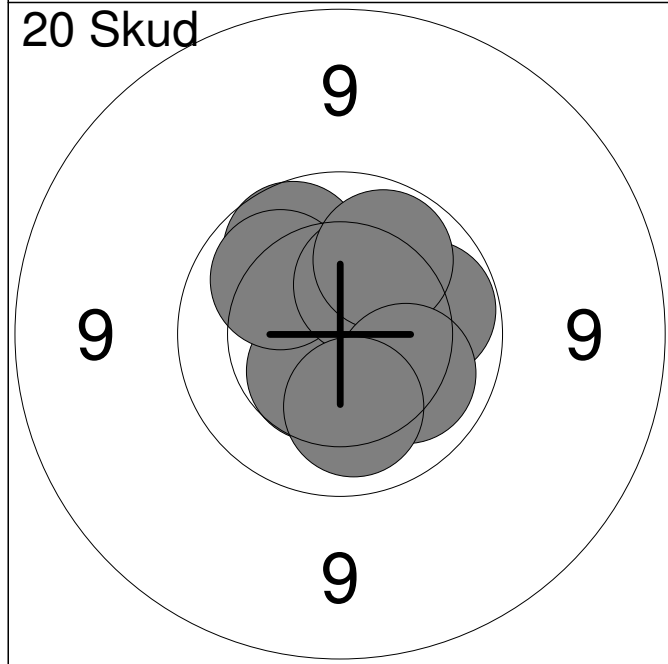
1:	10.3	↓
2:	10.5	↗
3:	9.8	↗
4:	*10.8	↗
5:	10.2	↓
6:	*10.8	↗
7:	10.5	↗
8:	*10.7	↓
9:	*10.7	→
10:	10.4	↑
Serie		99.0
Total		99.0



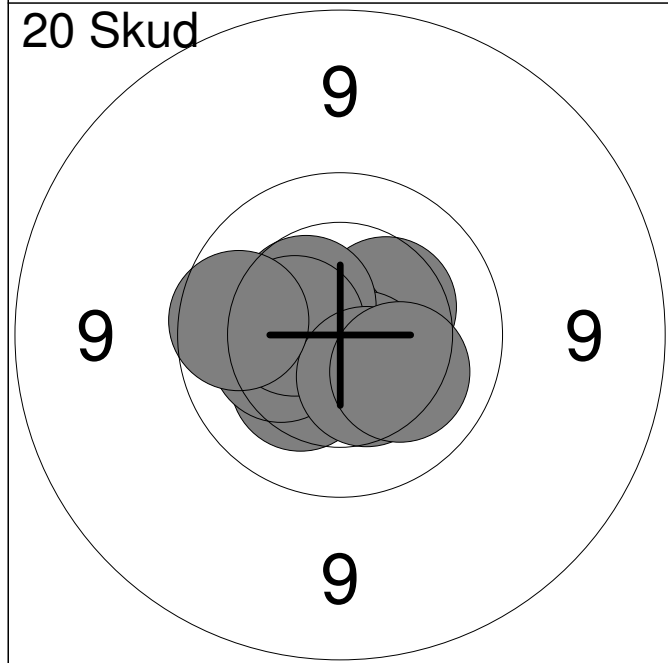
11:	*10.7	↗
12:	*10.6	↓
13:	10.3	↗
14:	10.6	↑
15:	10.5	↓
16:	*10.8	↗
17:	10.1	↑
18:	10.5	↗
19:	10.4	↗
20:	*10.8	↗
Serie		100.0
Total		199.0



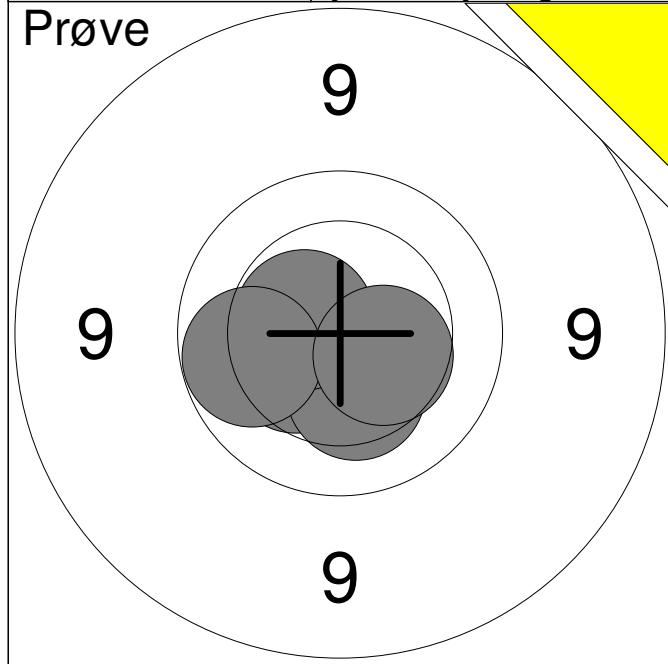
1:	9.5	←
2:	9.0	↑
3:	9.5	↗
4:	9.9	↑
5:	10.0	←
6:	9.8	↑
7:	9.8	↗
8:	9.9	↑
9:	*10.8	↗
10:	*10.9	←
Serie		93.0
Total		0.0



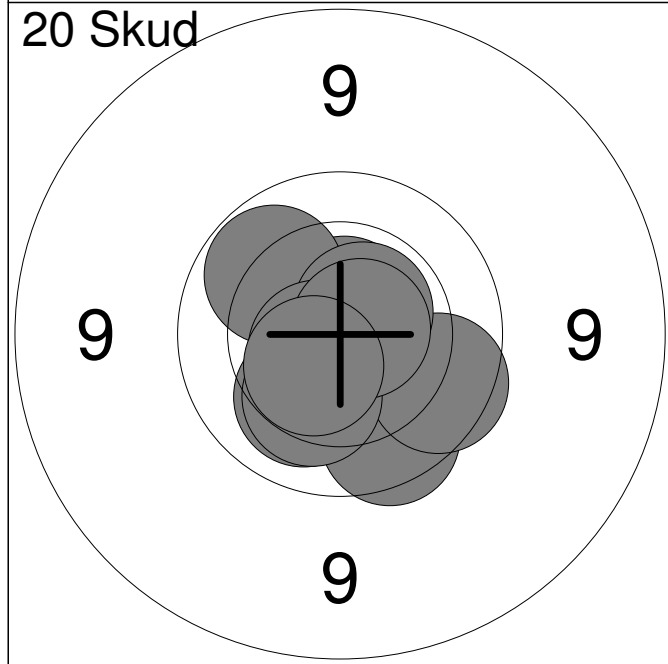
1:	10.4	↗
2:	10.4	↑
3:	10.5	↙
4:	9.9	↑
5:	10.1	↗
6:	10.0	→
7:	10.4	↑
8:	10.0	↑
9:	10.1	↘
10:	10.2	↓
Serie		99.0
Total		99.0



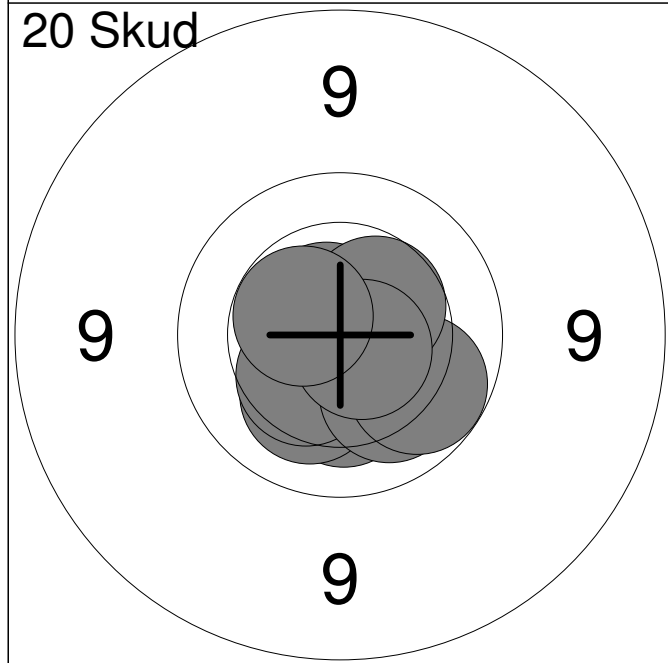
11:	10.4	↗
12:	10.3	↙
13:	*10.8	←
14:	10.3	←
15:	*10.6	↘
16:	10.5	↗
17:	10.5	↑
18:	10.4	↘
19:	10.2	↘
20:	9.9	←
Serie		99.0
Total		198.0



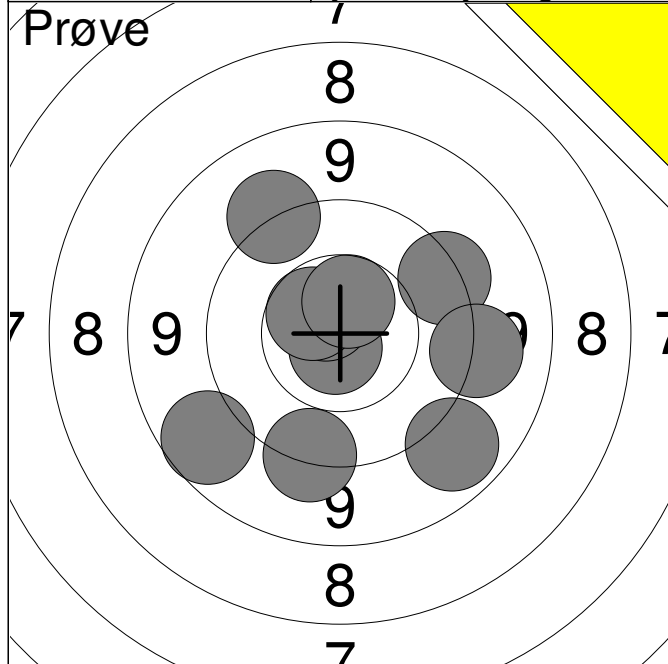
1:	10.4	↙
2:	10.3	↓
3:	*10.5	↖
4:	10.0	↙
5:	10.4	↘
Serie		50.0
Total		0.0



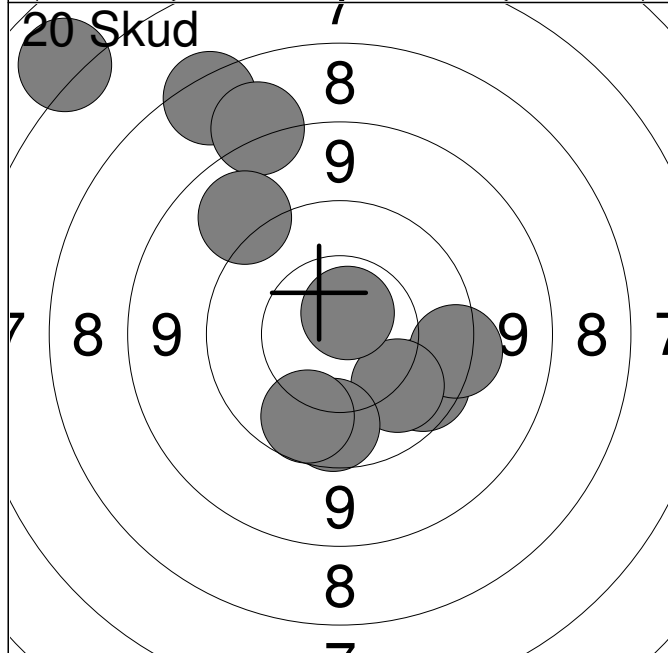
1:	10.2	↙
2:	*10.6	↑
3:	10.0	↗
4:	9.8	↓
5:	9.8	↘
6:	10.2	↓
7:	*10.6	↗
8:	*10.7	↙
9:	*10.7	→
10:	*10.5	↙
Serie		98.0
Total		98.0



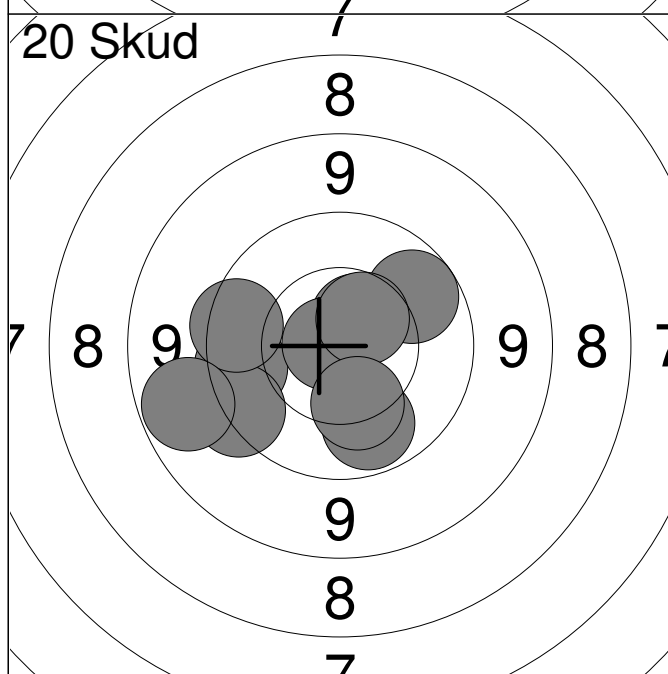
11:	10.3	↓
12:	*10.5	↘
13:	10.2	↙
14:	10.4	↙
15:	10.1	↘
16:	*10.7	↗
17:	10.0	↘
18:	10.5	↗
19:	*10.7	↘
20:	*10.5	↖
Serie		100.0
Total		198.0



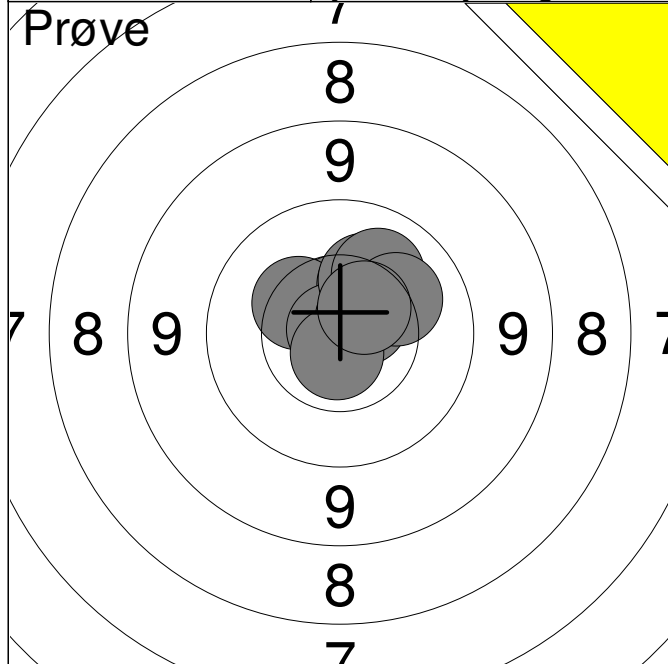
1:	9.3	↗
2:	9.6	→
3:	*10.8	↘
4:	8.9	↖
5:	9.3	→
6:	*10.7	↗
7:	10.6	↗
8:	10.6	↗
9:	9.0	↘
10:	9.5	↘
Serie		93.0
Total		0.0



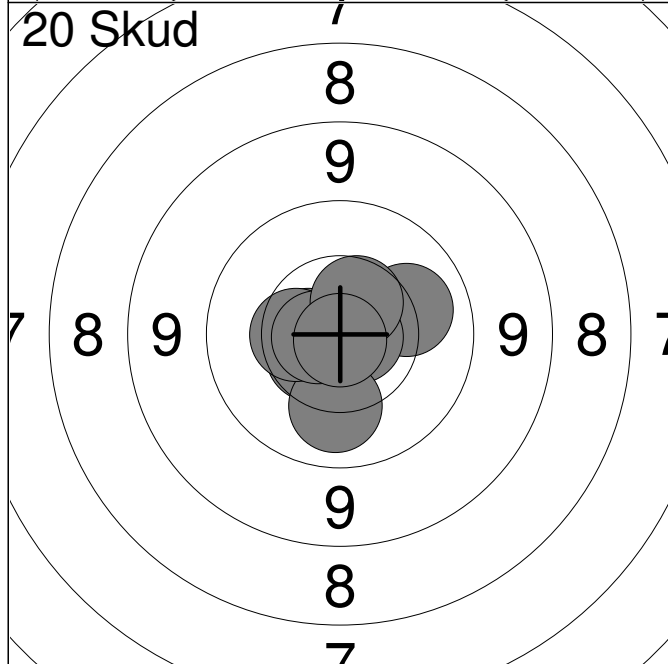
1:	9.8	↘
2:	9.6	→
3:	10.1	↘
4:	9.9	↘
5:	7.6	↗
6:	*10.7	↗
7:	8.2	↗
8:	6.2	↗
9:	9.1	↗
10:	9.9	↘
Serie		86.0
Total		86.0



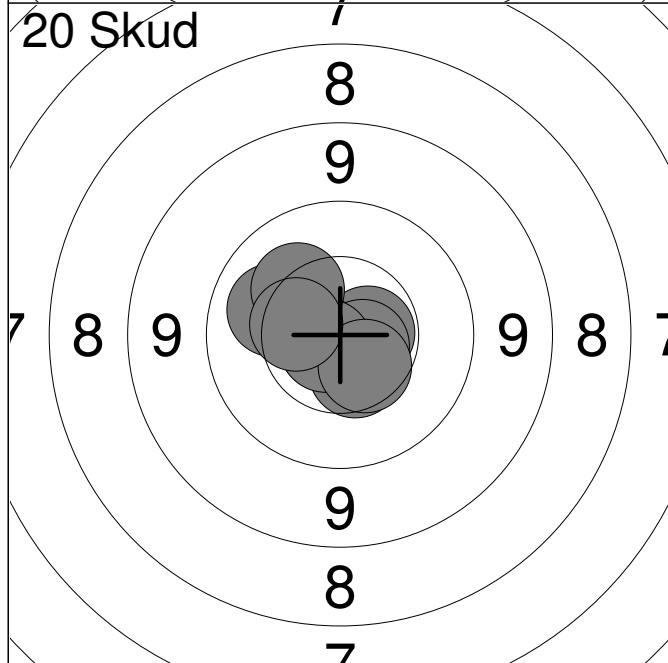
11:	9.8	←
12:	9.5	↖
13:	9.7	←
14:	9.9	↗
15:	10.0	↘
16:	*10.6	↗
17:	9.0	↖
18:	*10.8	←
19:	10.5	↗
20:	10.3	↘
Serie		95.0
Total		181.0



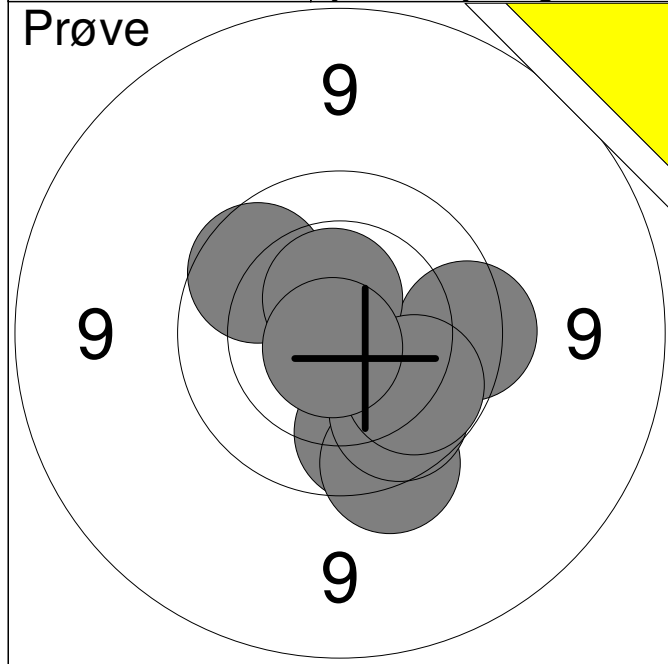
1:	10.6	↑
2:	10.4	↖
3:	10.3	↗
4:	*10.9	↖
5:	10.3	↗
6:	*10.6	↗
7:	10.2	↗
8:	10.2	↗
9:	*10.7	↓
10:	10.5	↗
Serie		100.0
Total		0.0



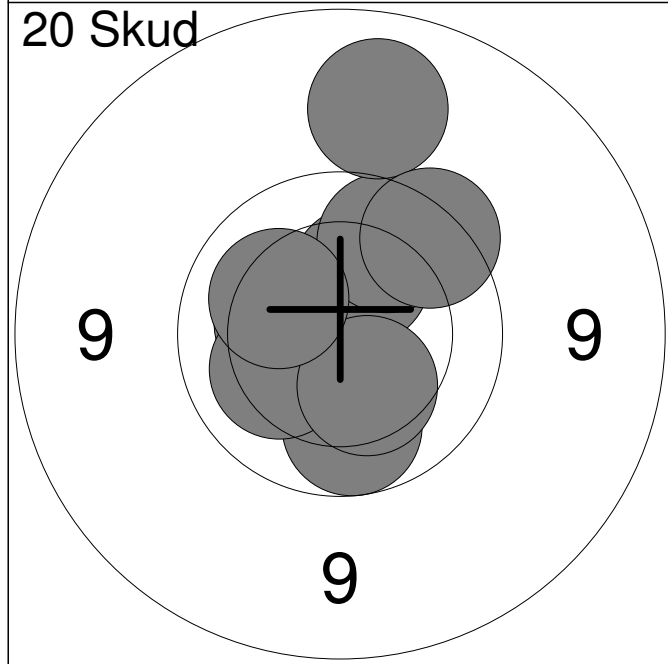
1:	10.1	→
2:	10.6	↙
3:	*10.8	→
4:	10.6	←
5:	10.1	↓
6:	*10.8	←
7:	10.4	←
8:	*10.7	←
9:	10.5	↗
10:	*10.9	↓
Serie		100.0
Total		100.0



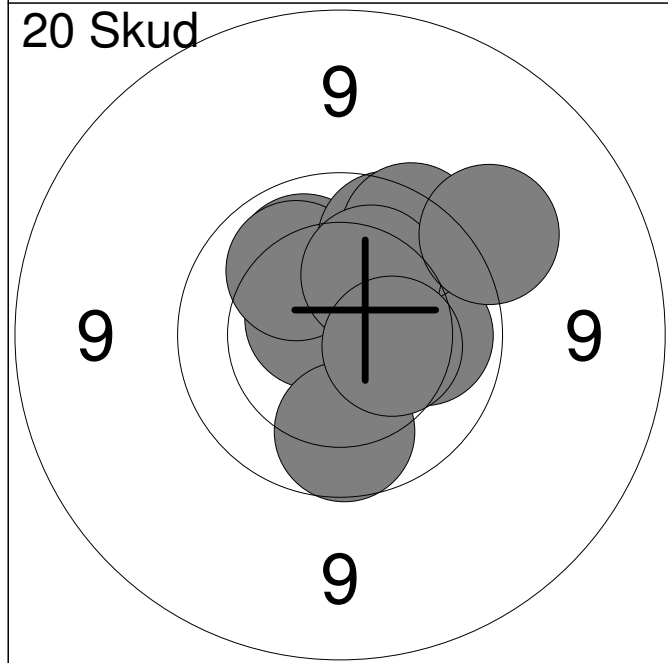
11:	10.1	↖
12:	*10.8	↓
13:	10.5	↓
14:	*10.6	→
15:	*10.8	↙
16:	*10.7	↘
17:	*10.7	↙
18:	10.2	↗
19:	10.5	↓
20:	10.4	←
Serie		100.0
Total		200.0



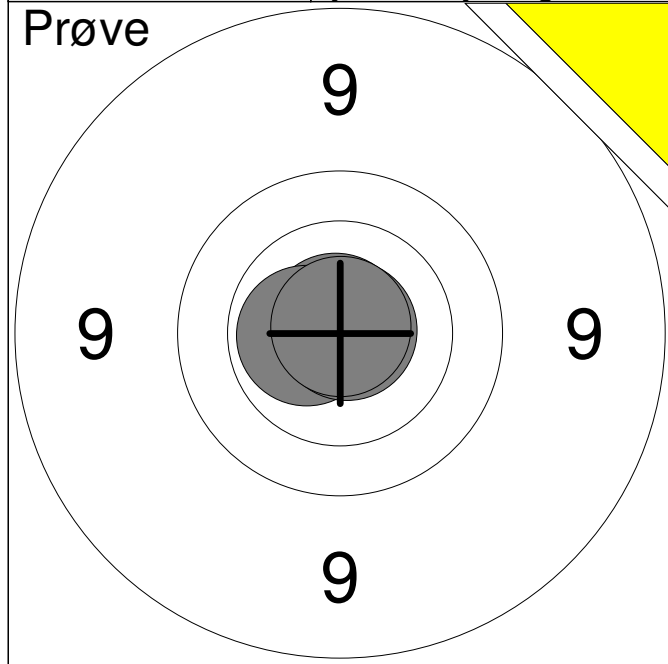
1:	9.7	→
2:	9.9	↗
3:	9.9	↓
4:	*10.6	↖
5:	9.7	↓
6:	9.9	↓
7:	10.0	↓
8:	*10.8	↙
Serie		75.0
Total		0.0



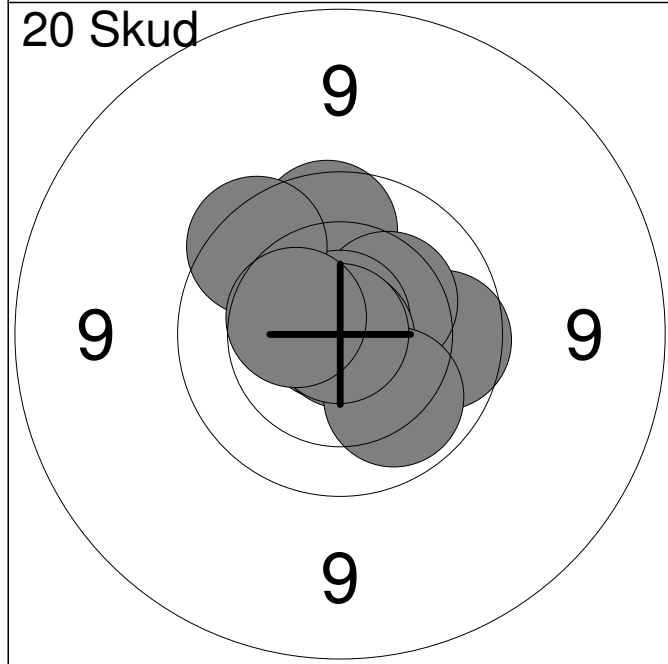
1:	10.0	↓
2:	10.3	←
3:	*10.7	↙
4:	10.2	←
5:	10.3	↖
6:	9.9	↖
7:	9.1	↖
8:	10.3	↓
9:	10.2	↖
10:	9.7	↖
Serie		97.0
Total		97.0



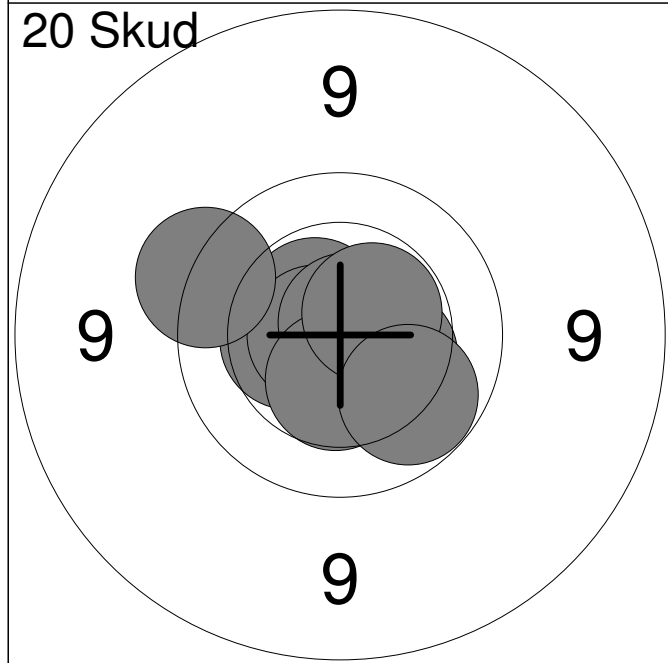
11:	10.1	↖
12:	10.0	→
13:	*10.6	↖
14:	9.9	↓
15:	10.1	↖
16:	9.9	↖
17:	9.8	↖
18:	10.2	↖
19:	9.4	↖
20:	10.4	→
Serie		96.0
Total		193.0



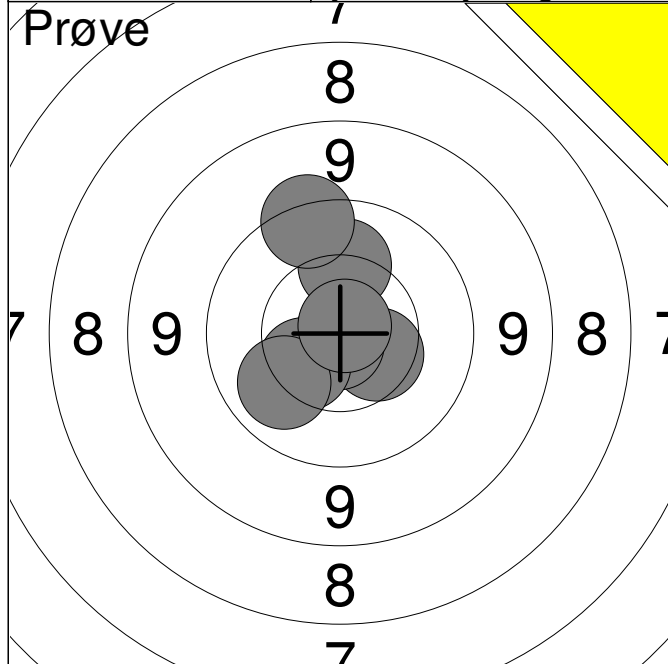
1:	*10.8	↖
2:	*10.6	←
3:	*10.9	↗
4:	*10.9	↑
Serie		40.0
Total		0.0



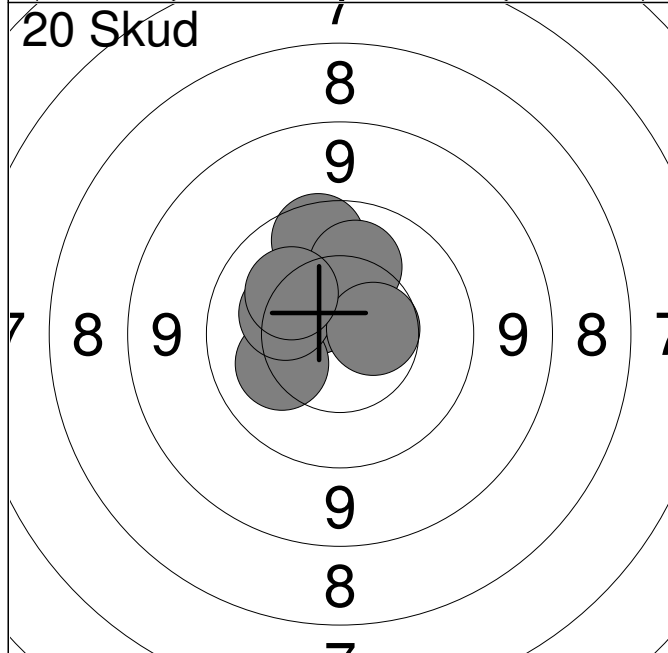
1:	9.9	→
2:	9.9	↑
3:	10.3	↗
4:	*10.8	←
5:	*10.8	↑
6:	9.8	↗
7:	*10.9	↘
8:	10.1	↘
9:	*10.9	↖
10:	10.4	↖
Serie		97.0
Total		97.0



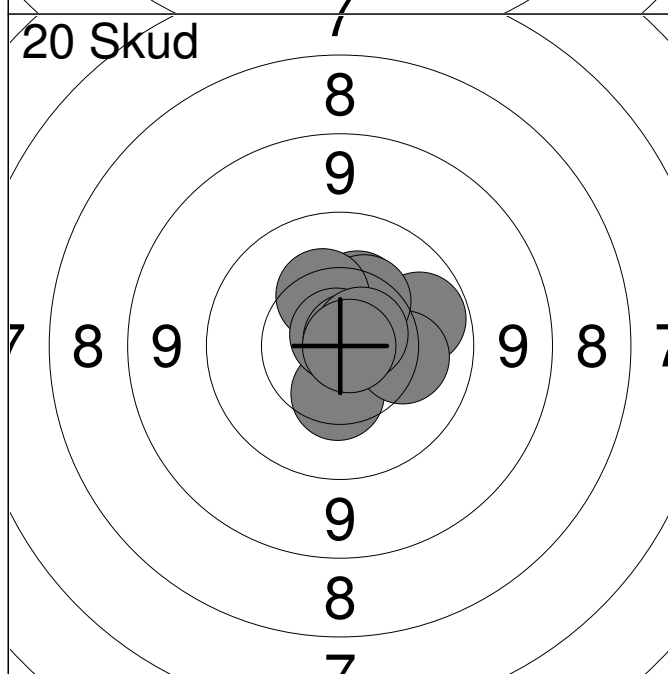
11:	10.4	←
12:	10.4	→
13:	*10.5	↗
14:	*10.7	←
15:	*10.5	↘
16:	*10.8	↗
17:	10.5	↘
18:	*10.5	↗
19:	9.6	↖
20:	10.0	↘
Serie		99.0
Total		196.0



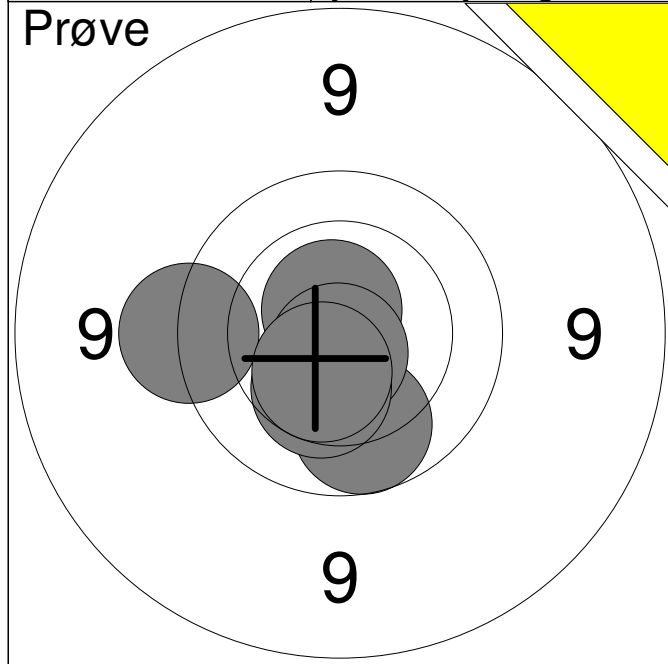
1:	10.5	→
2:	*10.8	↓
3:	10.4	↙
4:	10.1	↖
5:	10.2	↑
6:	9.6	↑
7:	*10.8	↗
Serie		69.0
Total		0.0



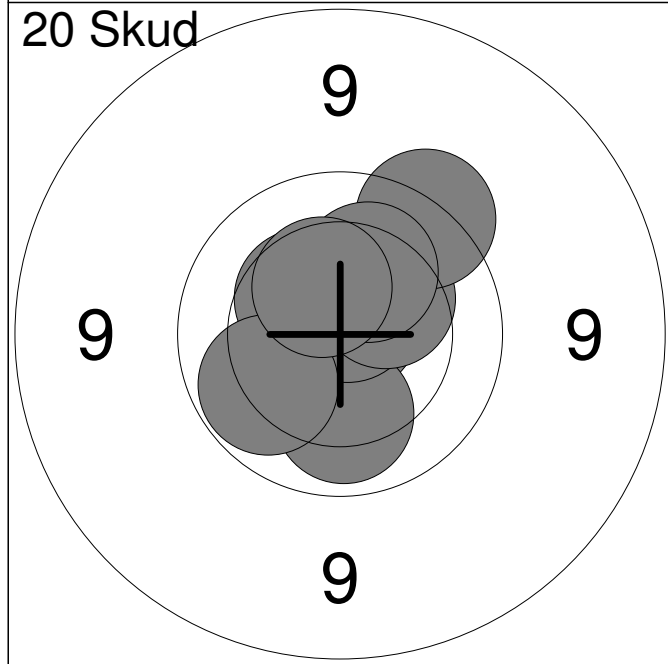
1:	10.3	↗
2:	10.6	↗
3:	10.5	↗
4:	10.3	↗
5:	10.2	↖
6:	9.8	↑
7:	10.3	↖
8:	10.1	↑
9:	10.6	→
10:	10.2	↖
Serie		99.0
Total		99.0



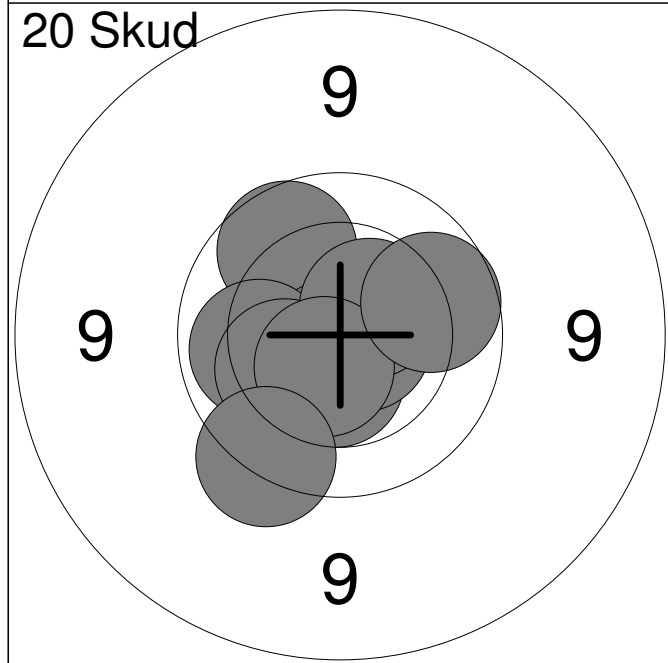
11:	10.0	→
12:	10.4	↓
13:	10.4	↑
14:	10.2	→
15:	10.4	↗
16:	10.3	↑
17:	*10.8	↑
18:	*10.8	↗
19:	*10.7	↗
20:	*10.8	→
Serie		100.0
Total		199.0



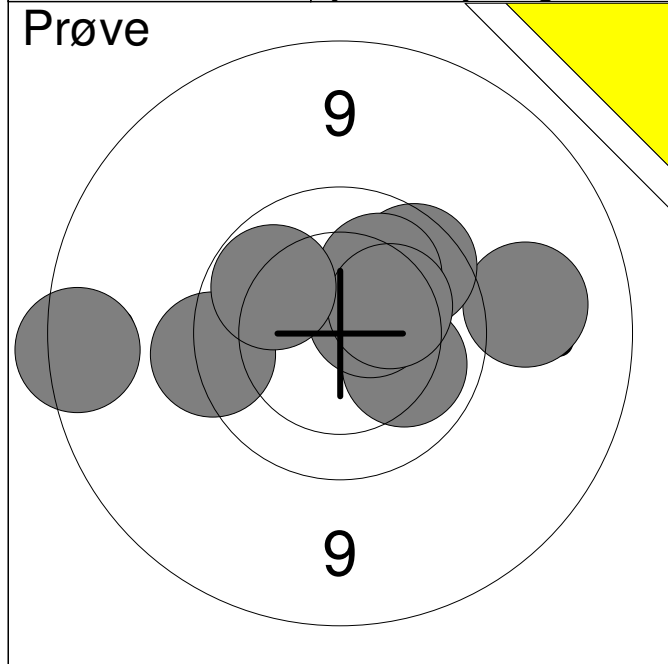
1:	9.6	←
2:	9.9	↓
3:	*10.7	↑
4:	*10.7	↓
5:	10.3	↓
6:	10.5	↓
Serie		58.0
Total		0.0



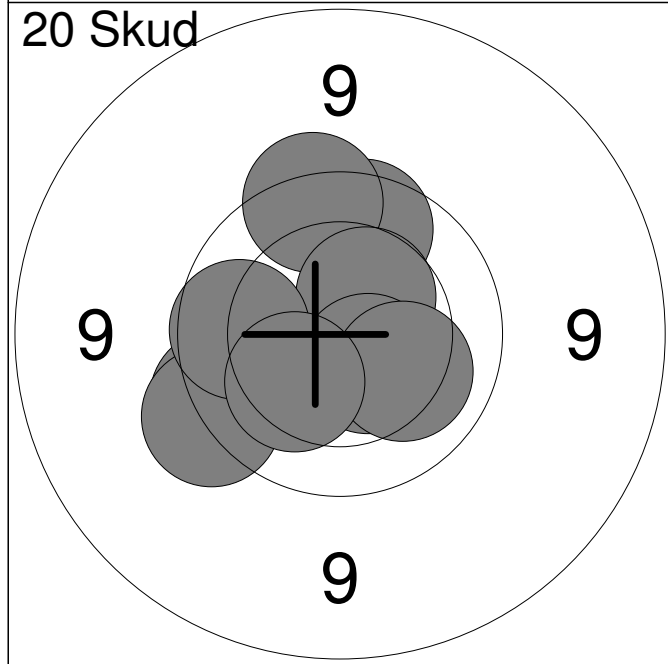
1:	*10.8	↗
2:	*10.8	↑
3:	10.4	↖
4:	10.1	↓
5:	*10.7	↑
6:	10.3	↗
7:	9.6	↗
8:	10.0	↖
9:	10.2	↑
10:	10.4	↑
Serie		99.0
Total		99.0



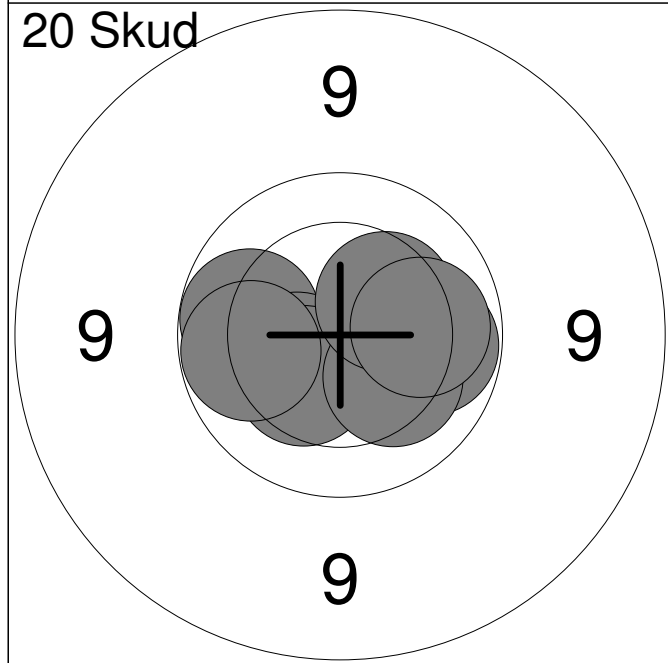
11:	10.5	↓
12:	9.9	↖
13:	*10.8	↓
14:	10.1	←
15:	*10.7	→
16:	*10.5	↗
17:	10.2	↖
18:	*10.6	↓
19:	9.6	↓
20:	9.9	→
Serie		97.0
Total		196.0



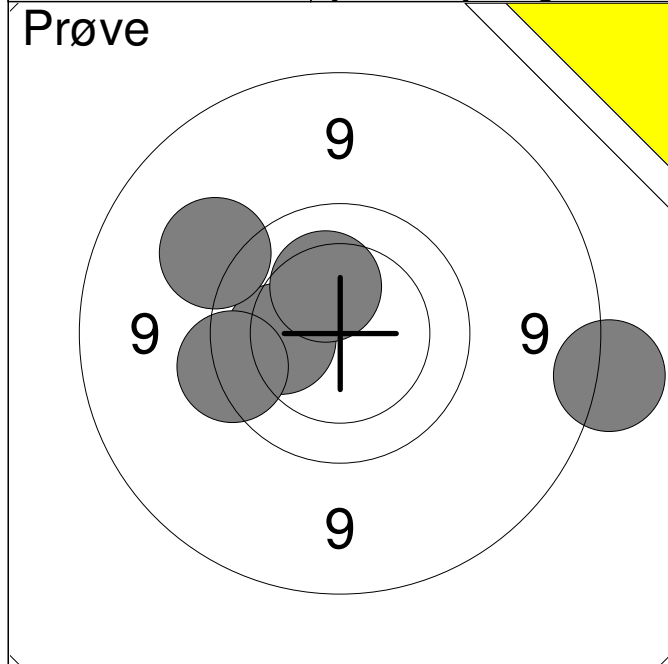
1:	10.1	→
2:	*10.5	↗
3:	9.2	→
4:	8.8	←
5:	9.8	↗
6:	10.1	↗
7:	9.6	←
8:	10.3	↗
9:	10.0	↖
Serie		85.0
Total		0.0



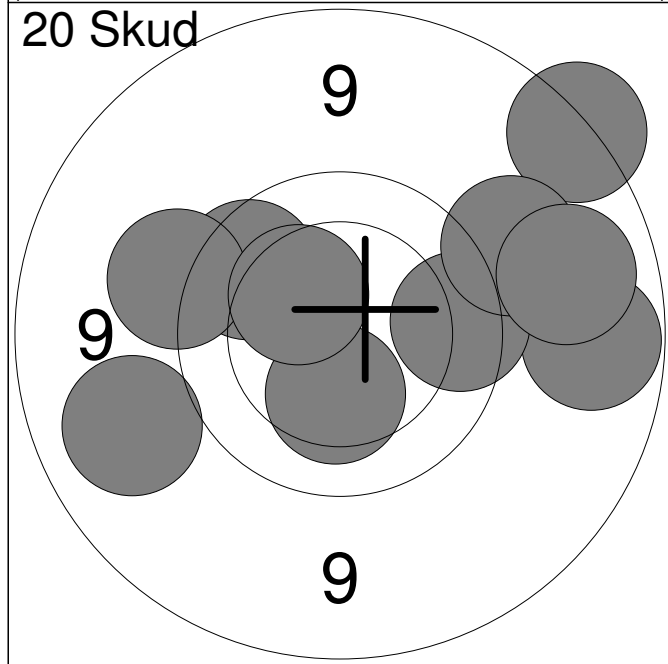
1:	9.9	↑
2:	9.7	↑
3:	9.7	↙
4:	10.3	↙
5:	10.5	↗
6:	9.6	↙
7:	*10.5	↘
8:	9.9	←
9:	10.2	↘
10:	10.2	↙
Serie		95.0
Total		95.0



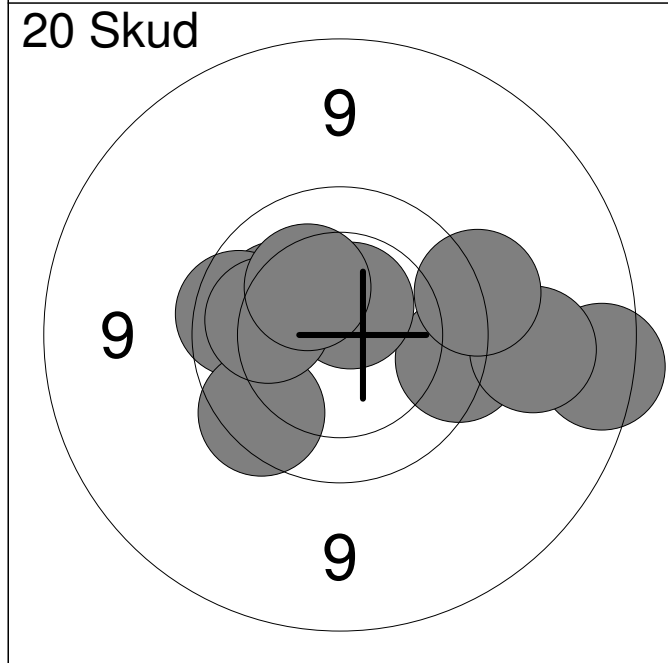
11:	10.2	←
12:	10.0	←
13:	10.4	↙
14:	10.2	→
15:	10.0	→
16:	10.4	↙
17:	10.2	↘
18:	10.3	↗
19:	10.1	→
20:	10.0	←
Serie		100.0
Total		195.0



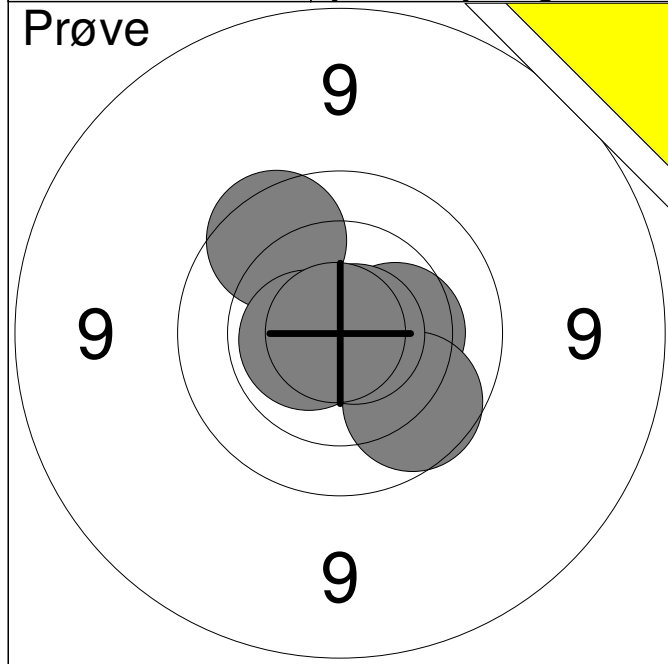
1:	10.1	←
2:	9.4	↗
3:	10.3	↑
4:	9.7	←
5:	8.6	→
Serie		46.0
Total		0.0



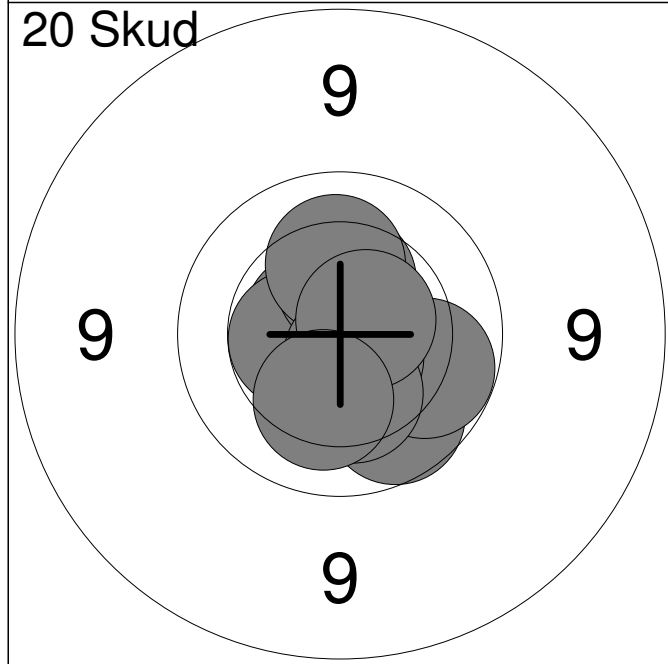
1:	9.0	→
2:	9.1	←
3:	9.8	↗
4:	9.5	←
5:	10.3	↓
6:	8.7	↗
7:	9.8	→
8:	10.3	↗
9:	9.3	↗
10:	9.1	→
Serie		91.0
Total		91.0



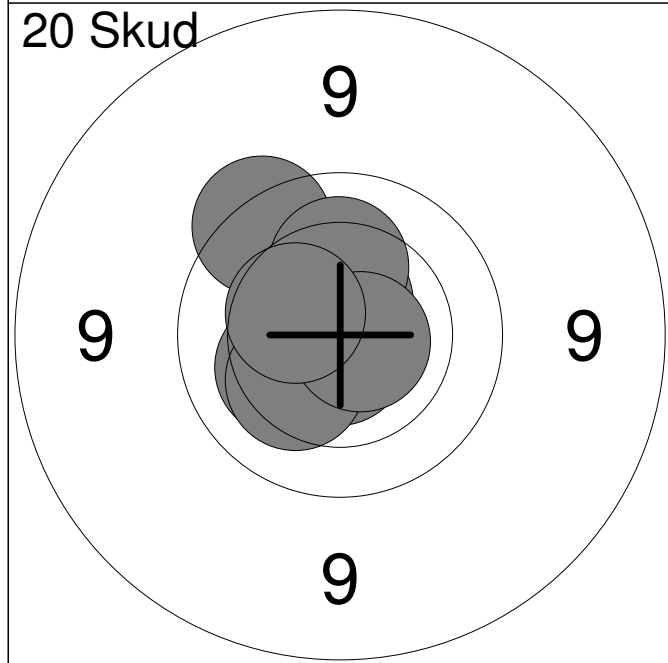
11:	10.2	↗
12:	9.7	→
13:	8.8	→
14:	9.8	←
15:	*10.6	↑
16:	9.2	→
17:	9.8	↖
18:	10.1	←
19:	9.5	↗
20:	10.3	↗
Serie		93.0
Total		184.0



1:	9.8	↗
2:	10.4	→
3:	9.9	↘
4:	*10.6	←
5:	*10.8	→
6:	*10.9	←
Serie		58.0
Total		0.0



1:	*10.6	↖
2:	*10.5	←
3:	10.4	↑
4:	9.9	↘
5:	10.0	→
6:	10.2	↑
7:	*10.7	↘
8:	10.3	↘
9:	*10.6	↗
10:	10.2	↘
Serie		99.0
Total		99.0



11:	*10.7	←
12:	*10.7	↘
13:	*10.7	↗
14:	9.7	↗
15:	*10.6	↑
16:	10.3	←
17:	10.3	↘
18:	10.2	↑
19:	*10.7	↗
20:	10.4	↖
Serie		99.0
Total		198.0